



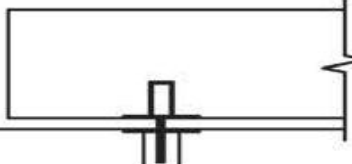

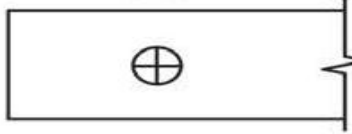

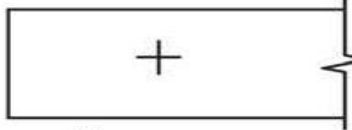
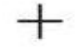
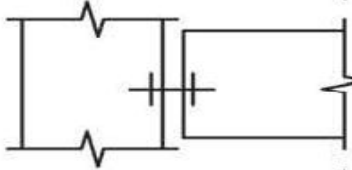
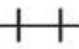






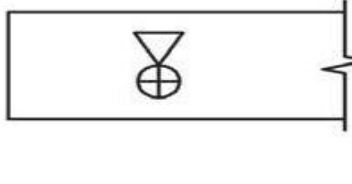

CONNECTION DETAILS



NPCA

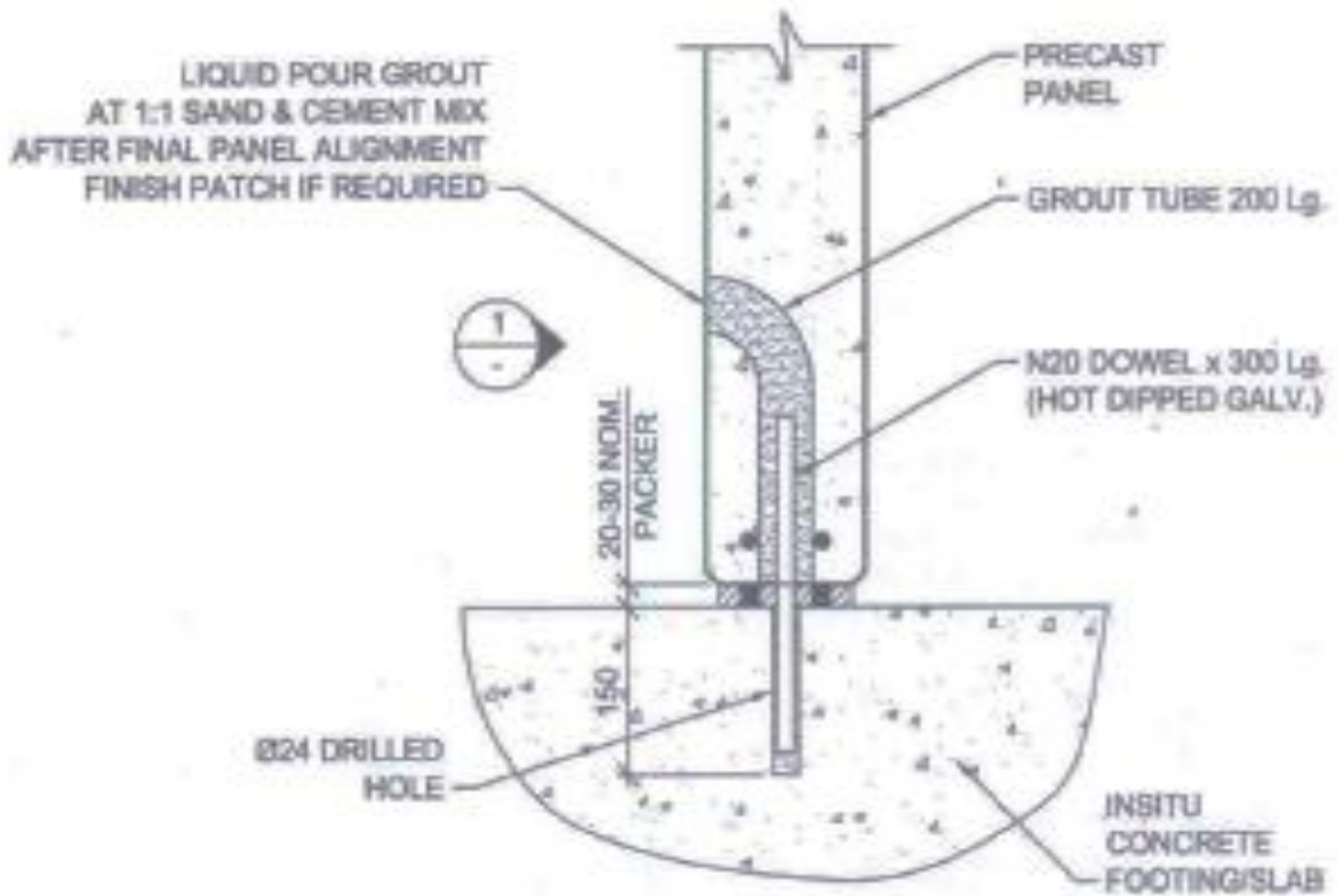
Precast ... The Concrete Solution

THE FOLLOWING SYMBOLS ARE UTILIZED THROUGHOUT THESE DETAILS. REFER TO CONNECTION DETAILS ON THE SHEET SERIES FOR VARIOUS CONNECTION TYPES:

SYMBOL	ITEM DESCRIPTION	SHEET SERIES
	 SHIM BEARING CONNECTION	S-1
	 DOWEL PIN CONNECTION	S-2
	 TIE-BACK - ADJUSTABLE FOR IN-OUT PANEL ALIGNMENT	S-3
	 TIE-BACK - NON ADJUSTABLE	S-4
	 PANEL TO PANEL TIE-BACK	S-5
	 GRAVITY CONNECTION - NOT FIXED IN-PLANE	S-6
	 GRAVITY CONNECTION + FIXED IN-PLANE	S-6
	 GRAVITY CONNECTION + FIXED TIE-BACK COMBINATION	S-6
	 GRAVITY CONNECTION + ADJUSTABLE TIE-BACK COMBINATION	S-6

CONNECTIONS LEGEND

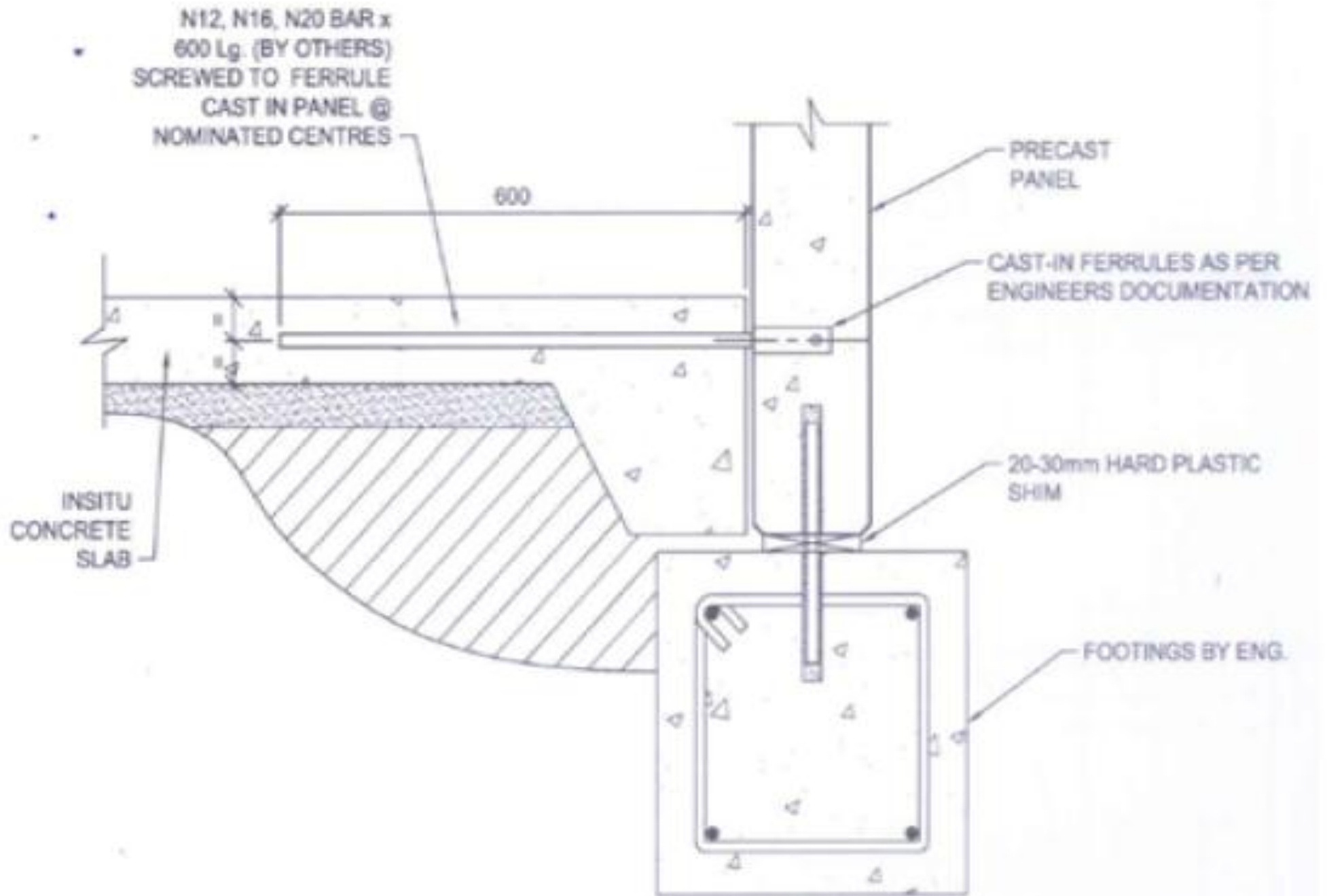
WALLPANEL CONNECTED TO INSITU CONCRETE



NPCA

Precast ... The Concrete Solution

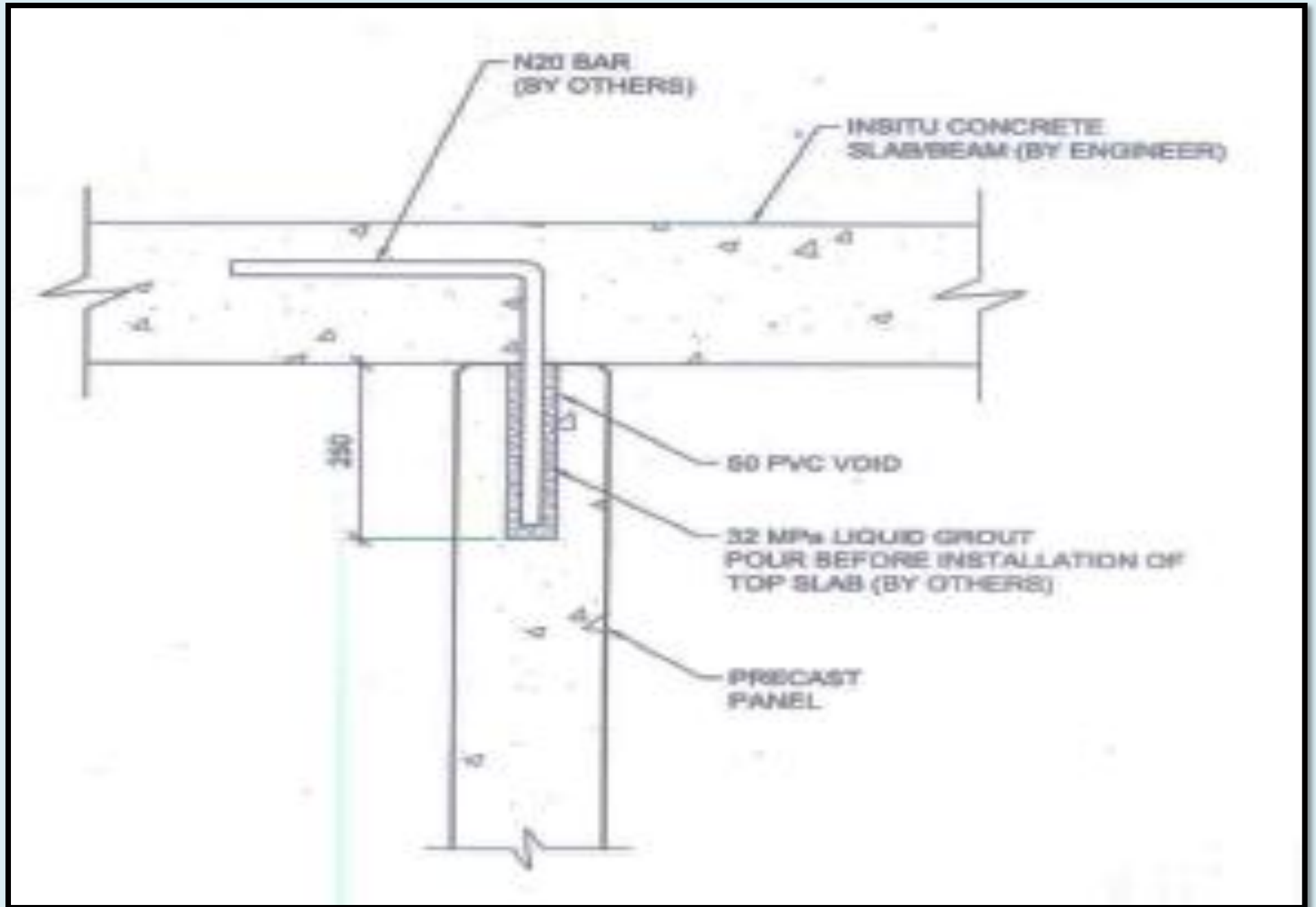
WALLPANEL CONNECTED TO INSITU CONCRETE



NPCA

Precast ... The Concrete Solution

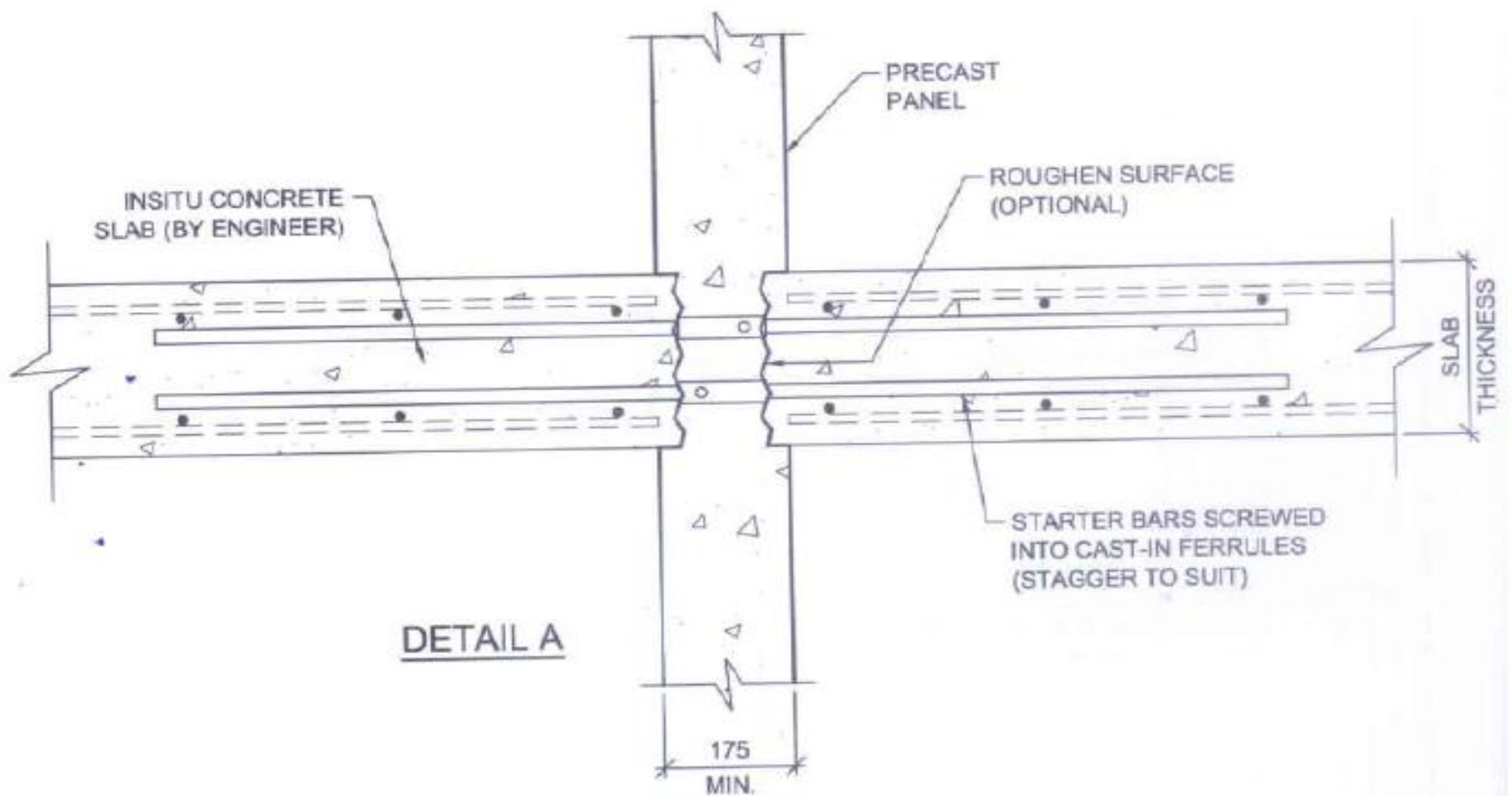
WALLPANEL CONNECTED TO INSITU CONCRETE



NPCA

Precast ... The Concrete Solution

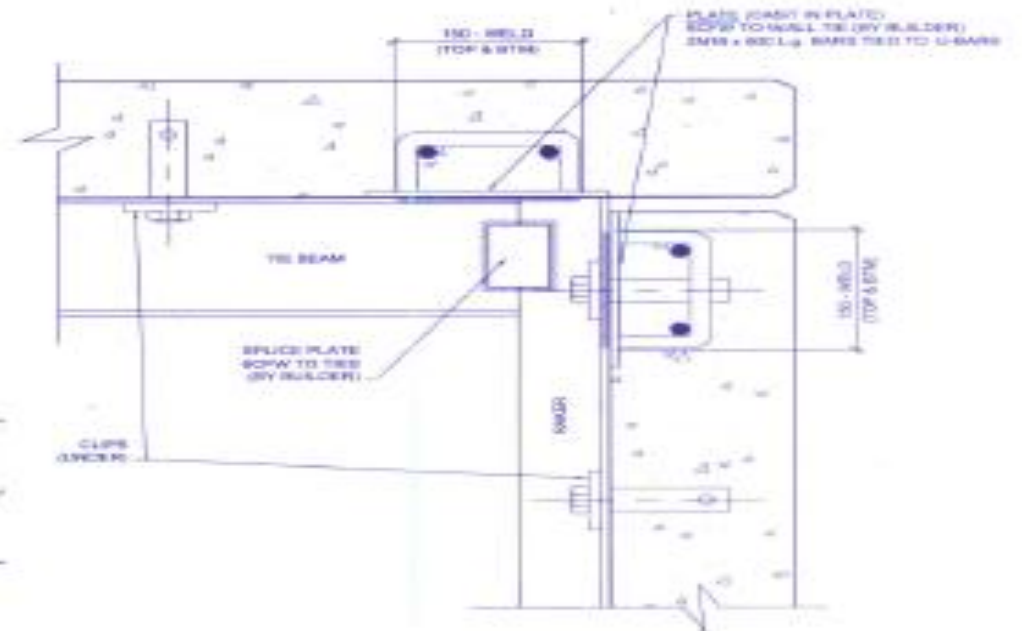
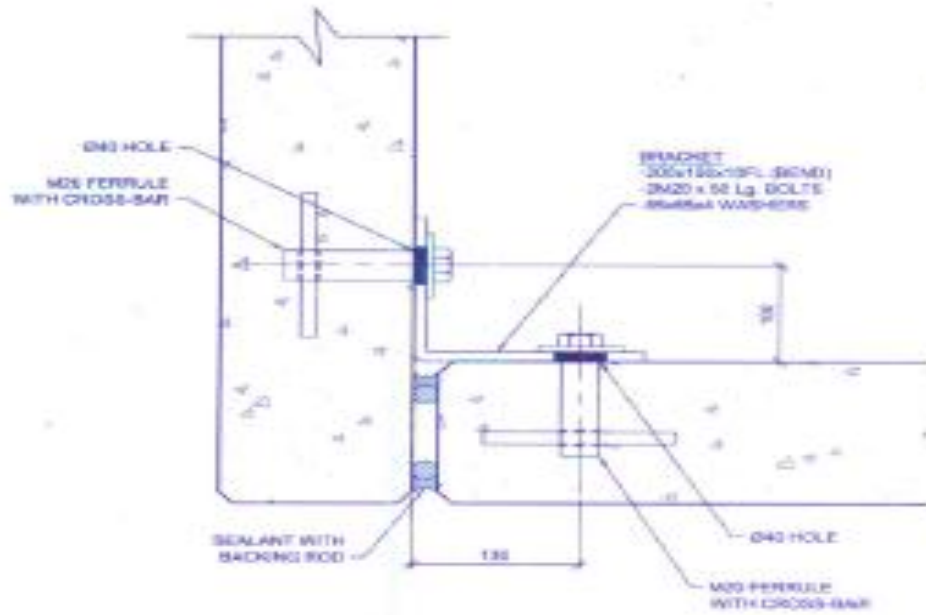
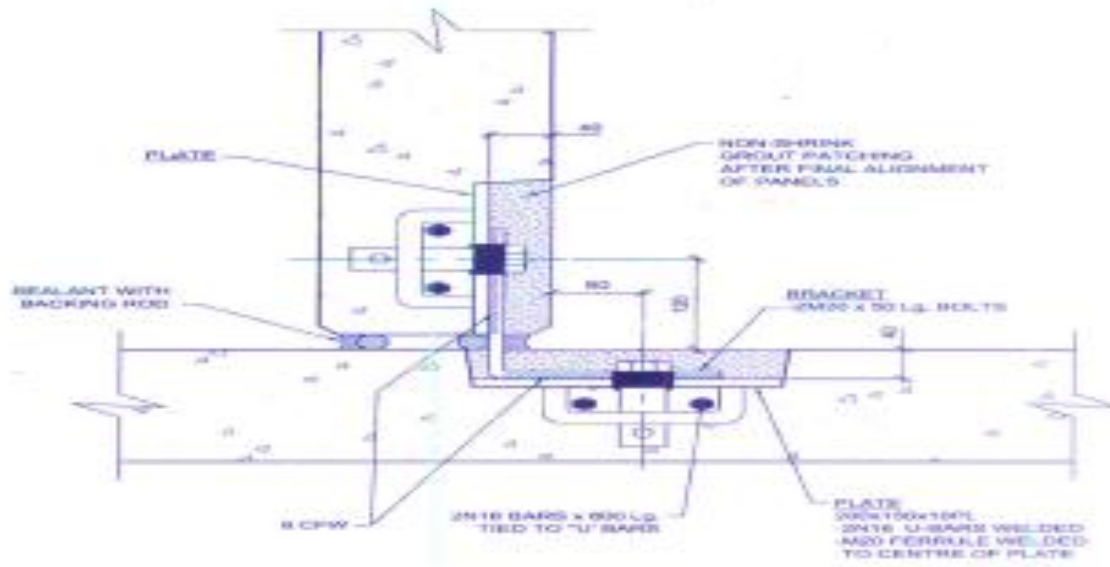
WALLPANEL CONNECTED TO INSITU CONCRETE



NPCA

Precast ... The Concrete Solution

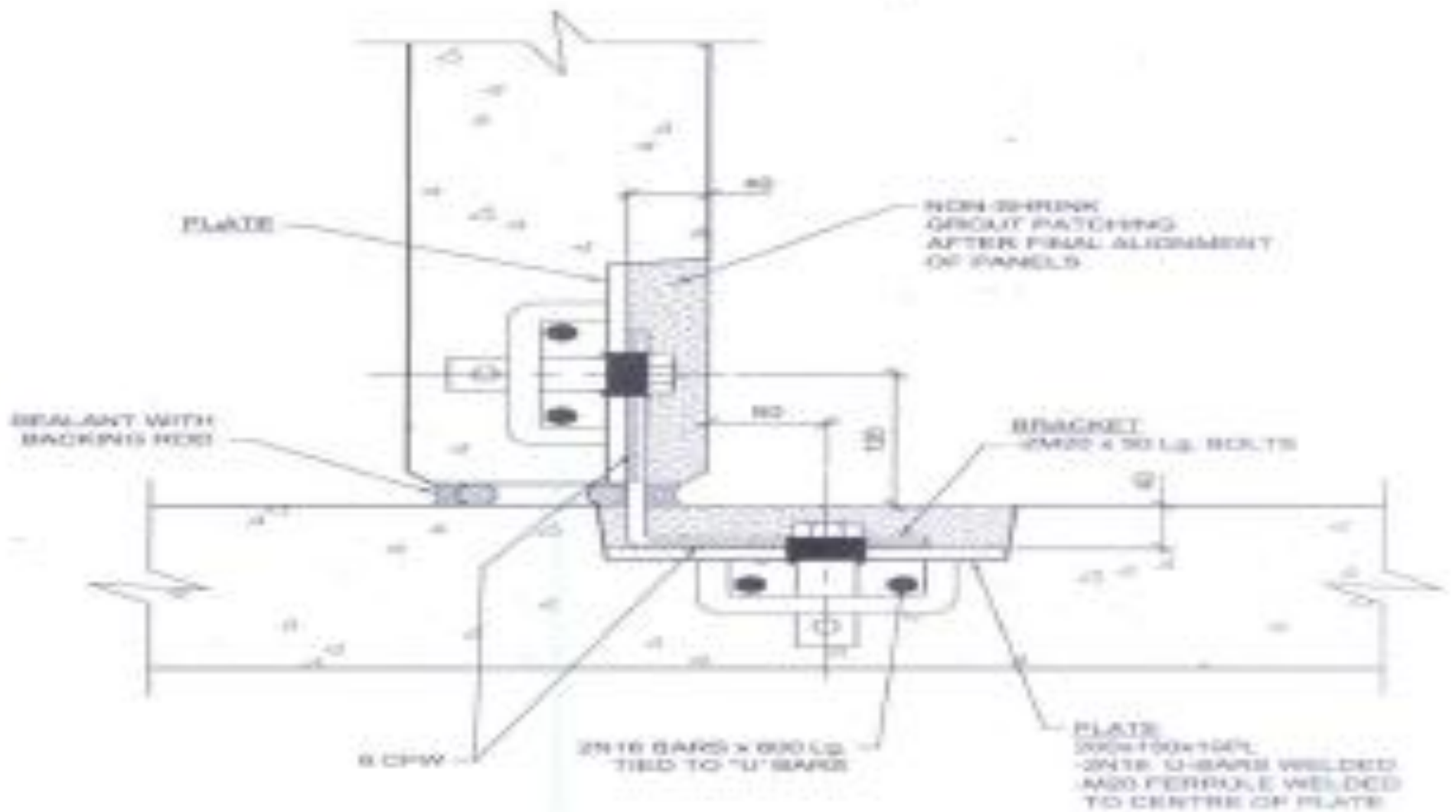
CORNER CONNECTIONS OF WALL PANELS



NPCA

Precast ... The Concrete Solution

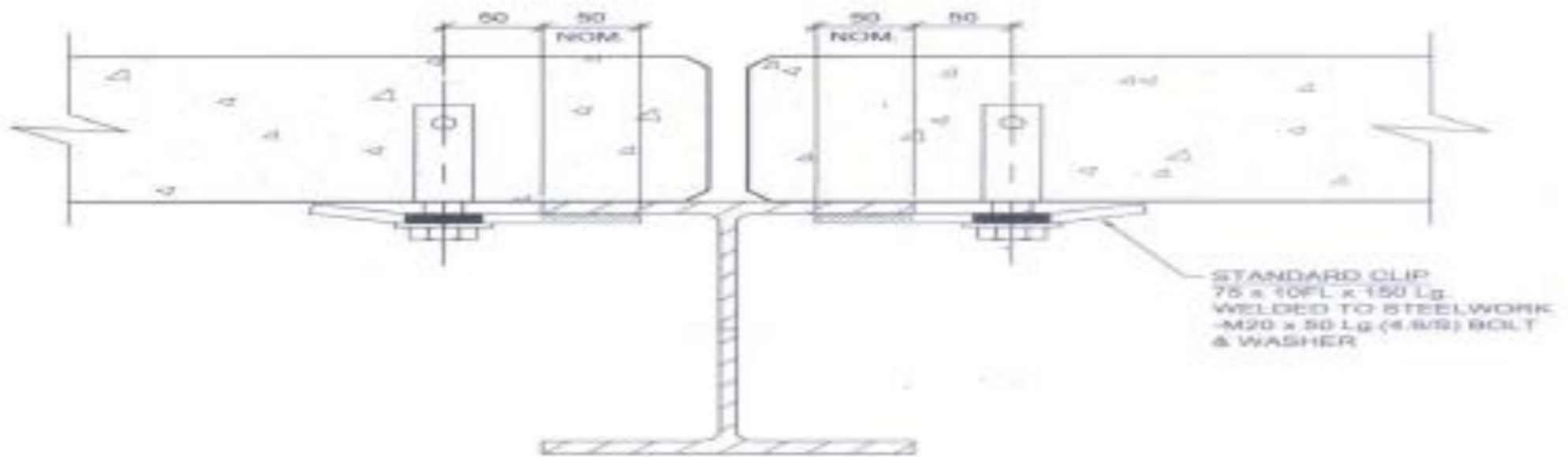
CORNER CONNECTIONS OF WALL PANELS



NPCA

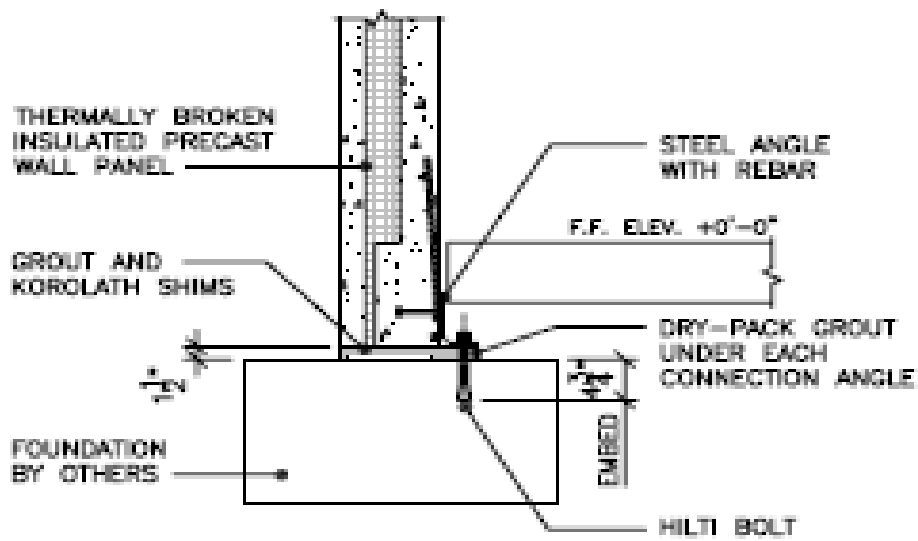
Precast ... The Concrete Solution

CONNECTION OF WALL PANELS TO COLUMNS



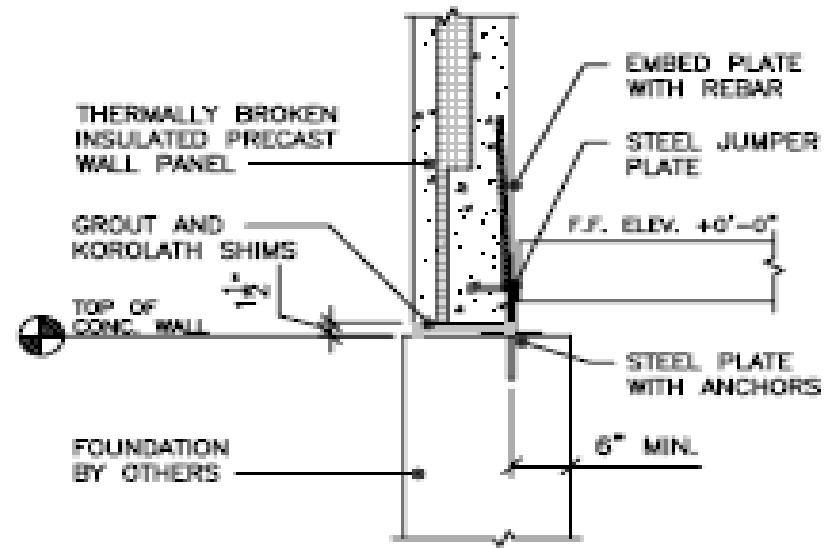
NPCA

Precast ... The Concrete Solution



4

TYPICAL FOUNDATION DETAIL



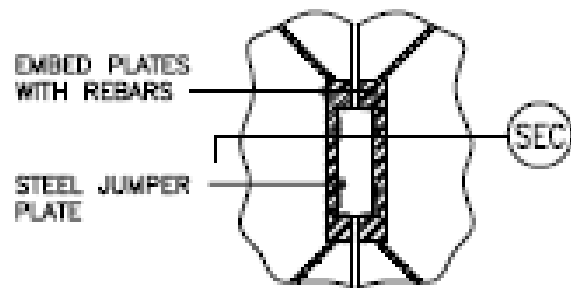
5

TYPICAL FOUNDATION DETAIL

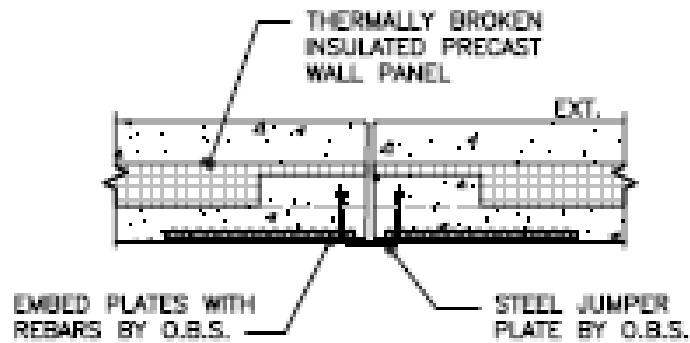


NPCA

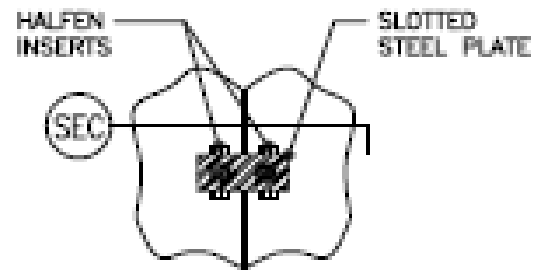
Precast ... The Concrete Solution



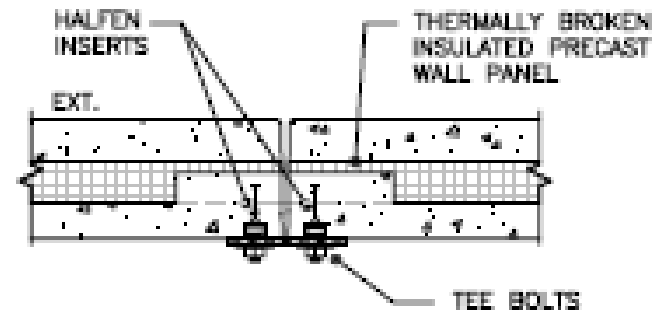
INTERIOR ELEVATION VIEW



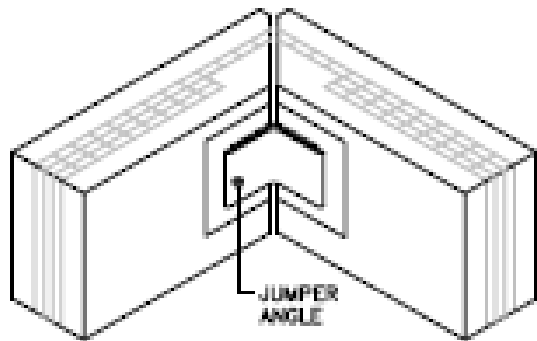
1 PANEL-TO-PANEL SHEAR CONNECTION DETAIL



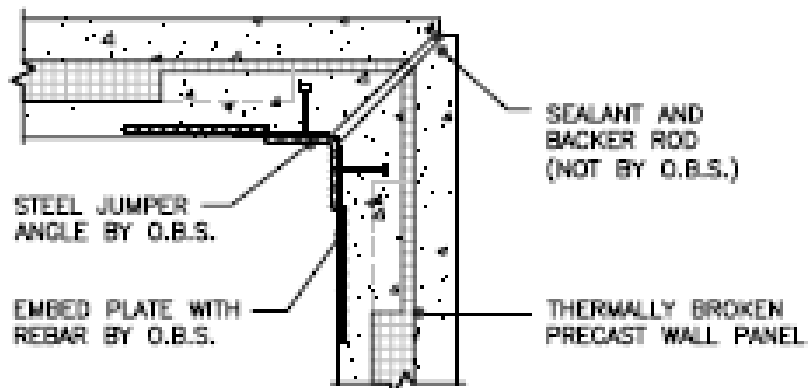
INTERIOR ELEVATION VIEW



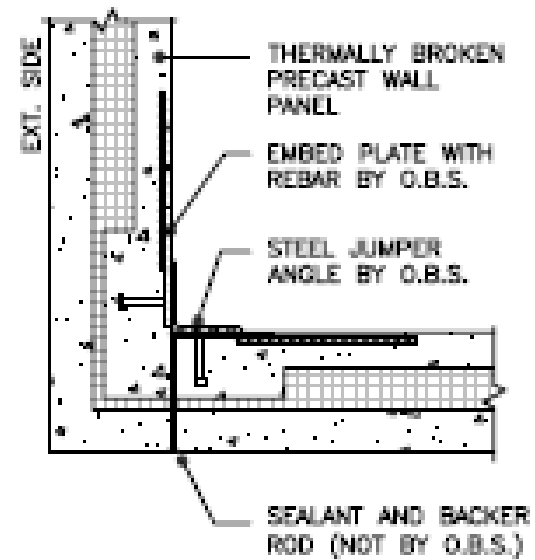
2 TYPICAL MID-SPAN CONNECTION DETAIL



3D VIEW DETAIL

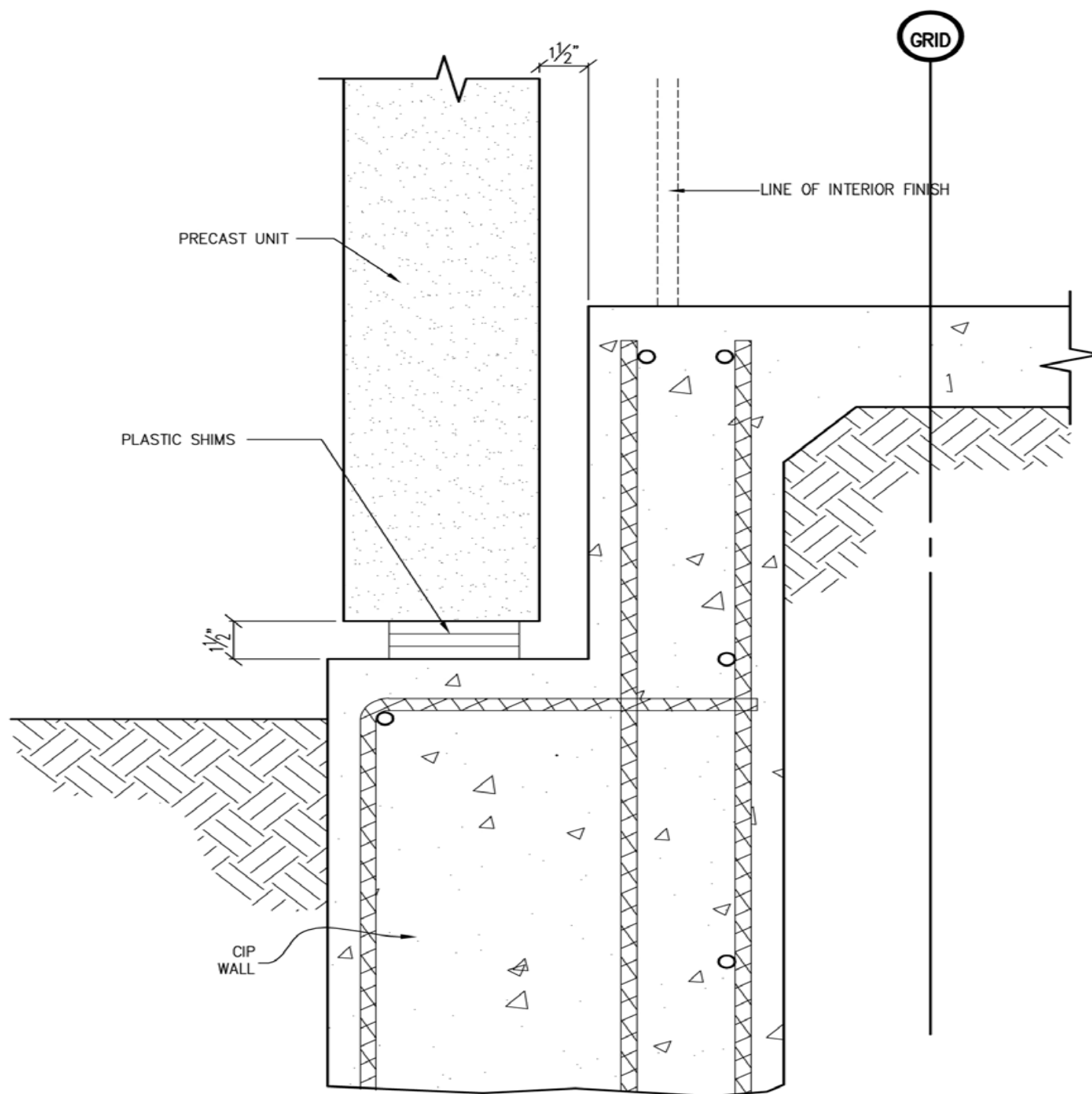


3 TYPICAL MITER CORNER CONNECTION DETAIL



4 TYPICAL BUTT-END CORNER CONNECTION DETAIL

NOTE: PRECAST REINFORCING NOT SHOWN FOR CLARITY



CONNECTION DETAIL – SHIM BEARING

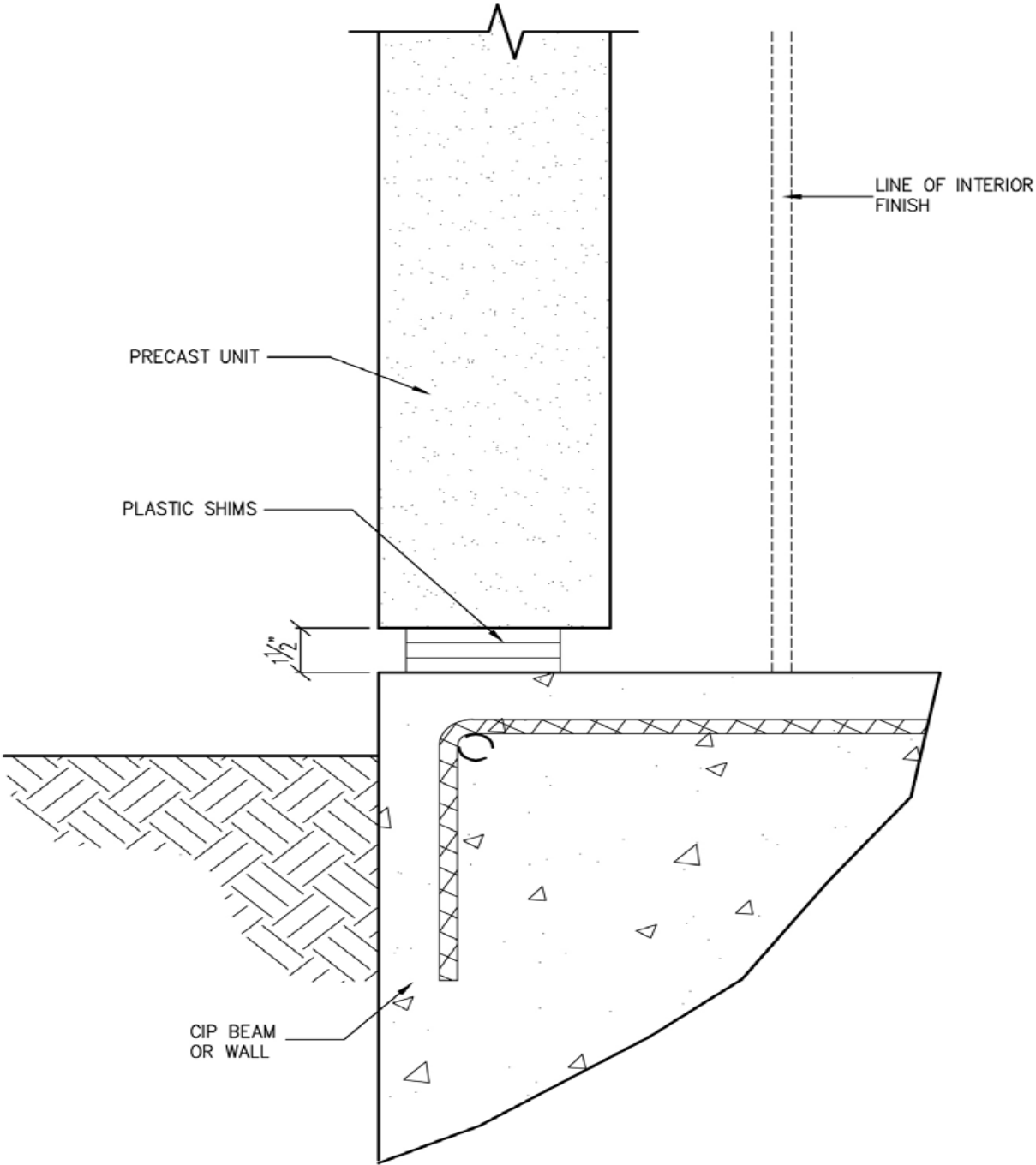


<http://precast.org>

S-1.1

SCALE	DN.BY	DATE
NTS	WCR	06/29/11

NOTE: PRECAST REINFORCING NOT SHOWN FOR CLARITY



CONNECTION DETAIL – SHIm BEARING



<http://precast.org>

S-1.2

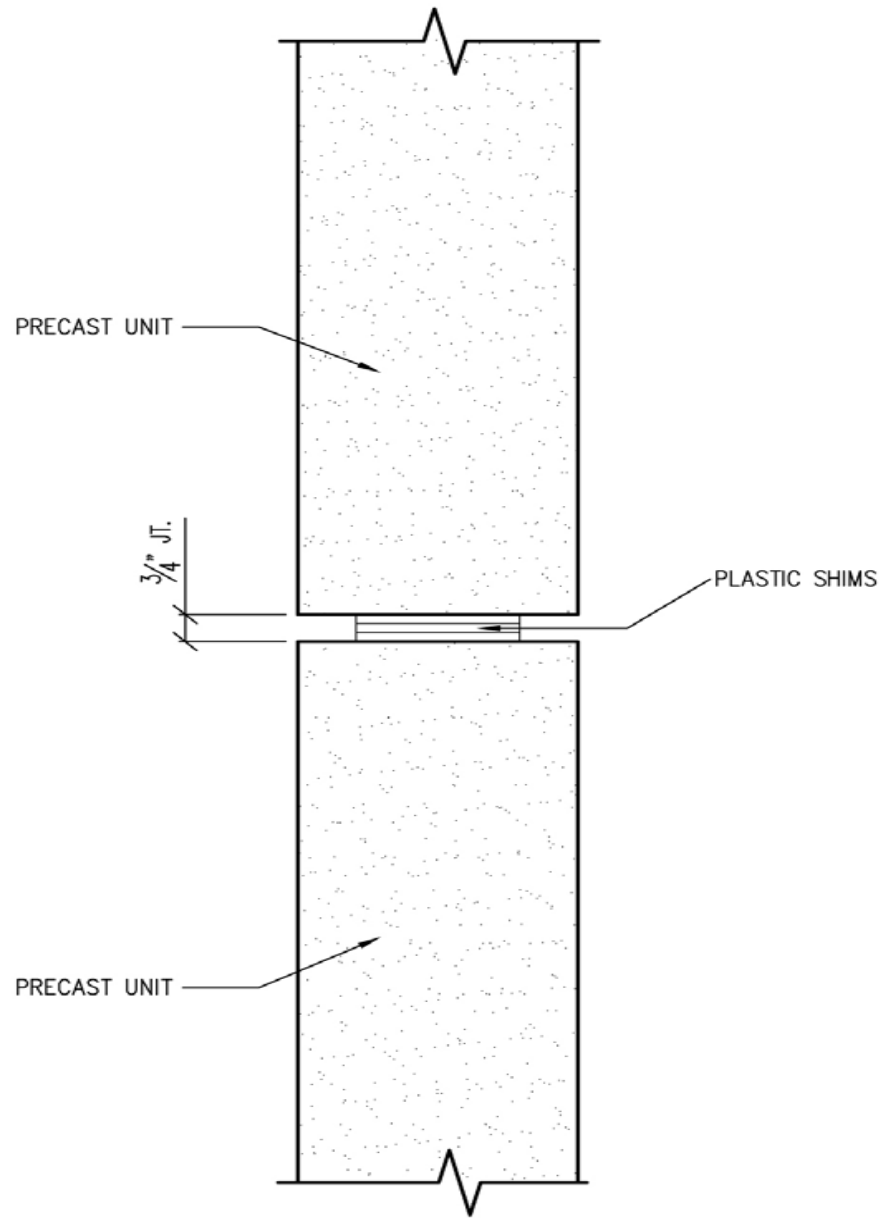


NPCA

Precast ... The Concrete Solution

SCALE	DN.BY	DATE
NTS	WCR	06/29/11

NOTE: PRECAST REINFORCING NOT SHOWN FOR CLARITY



CONNECTION DETAIL – SHIm BEARING



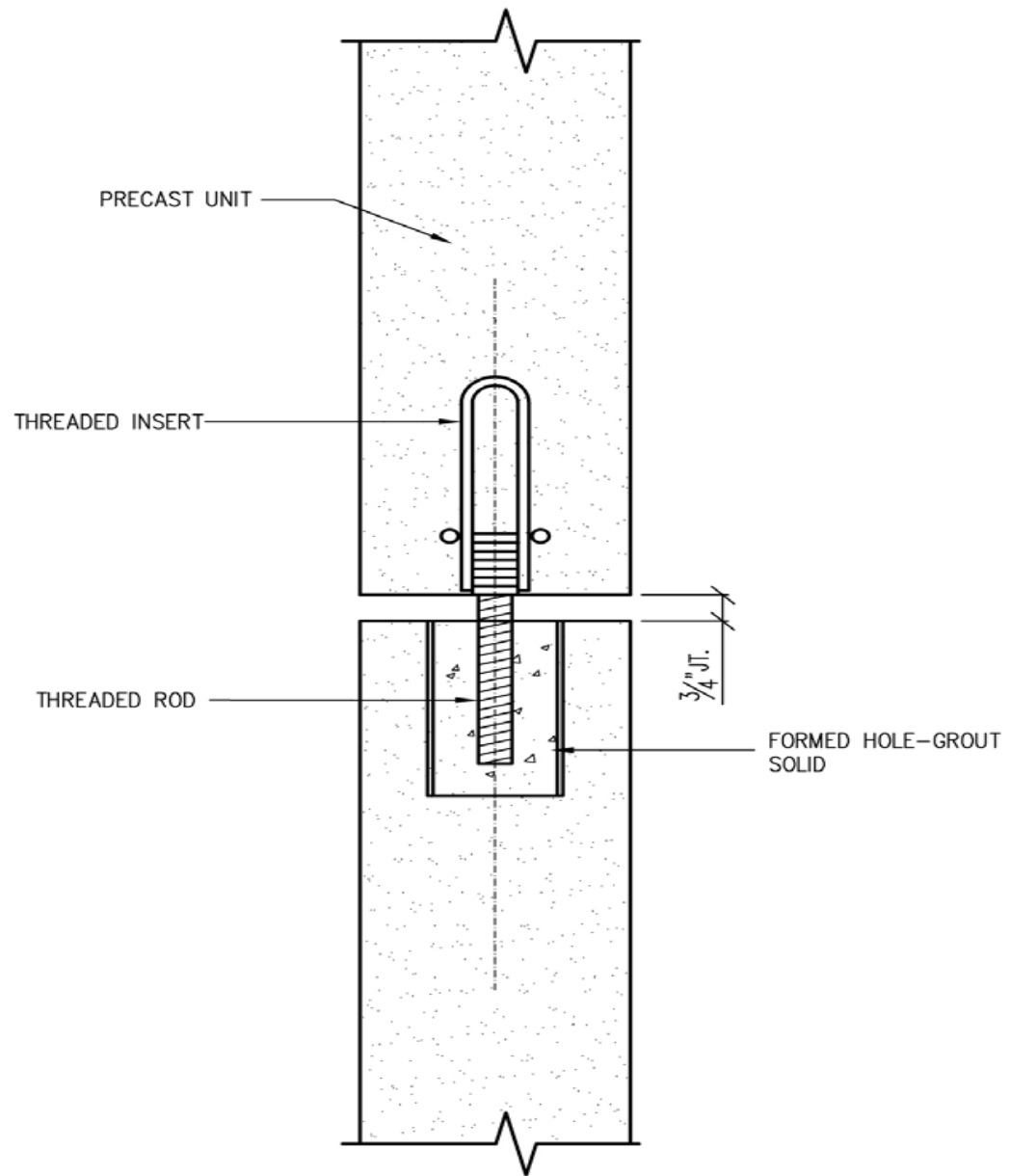
<http://precast.org>

S-1.3



SCALE	DN.BY	DATE
NTS	WCR	06/29/11

NOTE: PRECAST REINFORCING NOT SHOWN FOR CLARITY



CONNECTION DETAIL – DOWEL PIN



NPCA

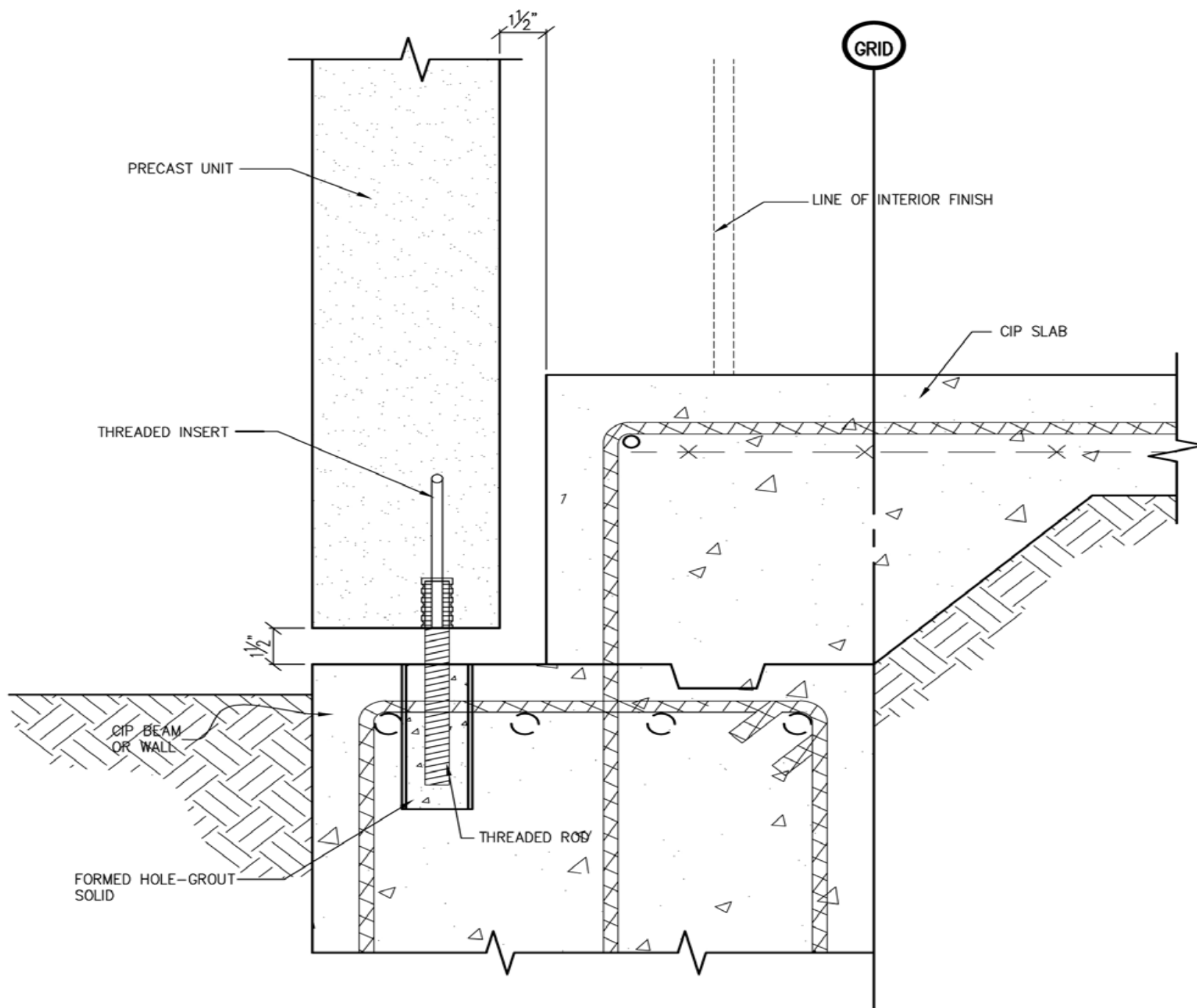
Precast ... The Concrete Solution

<http://precast.org>

S-2.1

SCALE	DN.BY	DATE
NTS	WCR	06/29/11

NOTE: PRECAST REINFORCING NOT SHOWN FOR CLARITY



CONNECTION DETAIL – DOWEL PIN



S-2.2

<http://precast.org>

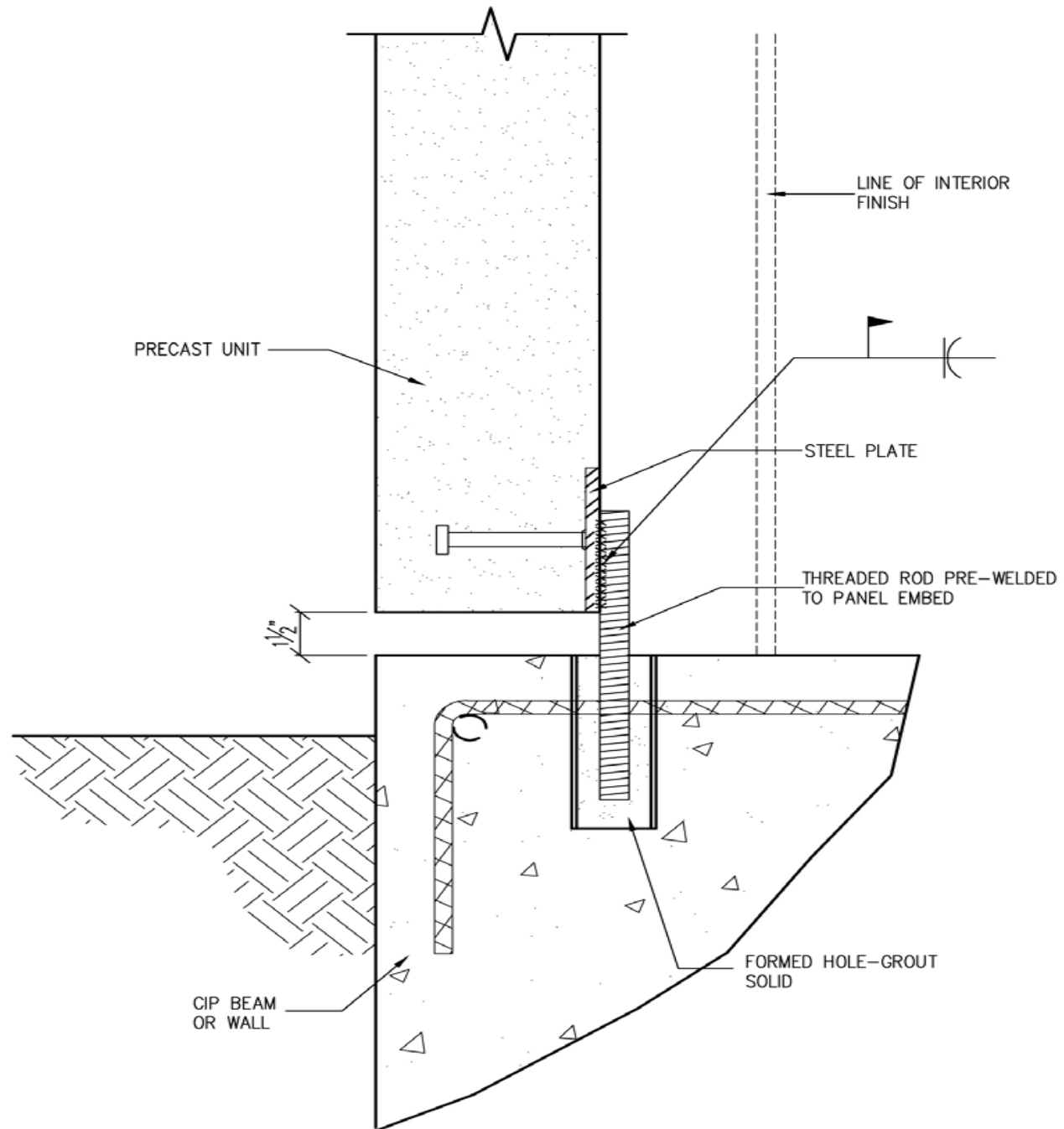


NPCA

Precast ... The Concrete Solution

SCALE	DN.BY	DATE
NTS	WCR	06/29/11

NOTE: PRECAST REINFORCING NOT SHOWN FOR CLARITY



CONNECTION DETAIL – DOWEL PIN



<http://precast.org>

S-2.3



NPCA

Precast ... The Concrete Solution

SCALE

NTS

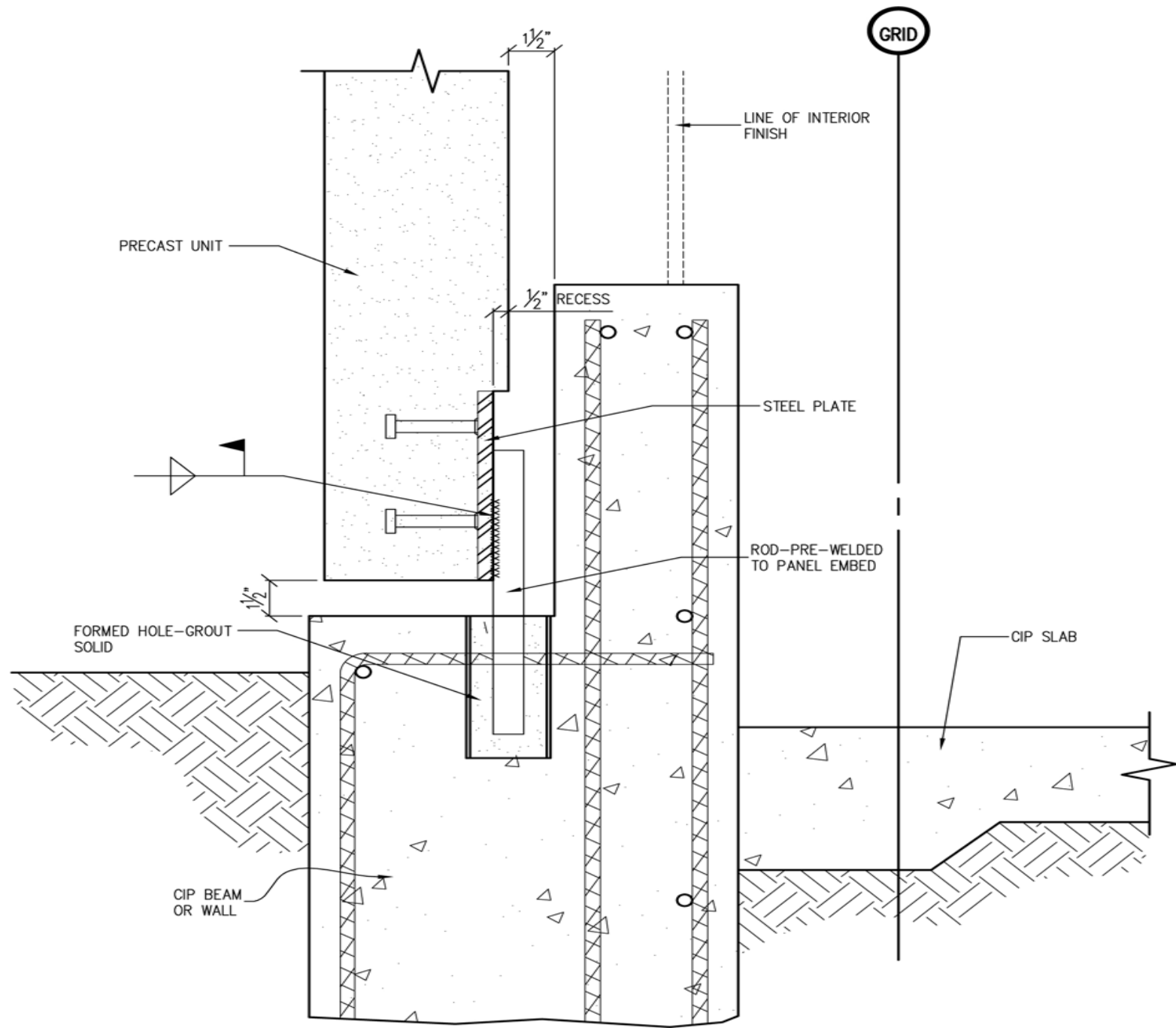
DN.BY

WCR

DATE

06/29/11

NOTE: PRECAST REINFORCING NOT SHOWN FOR CLARITY



CONNECTION DETAIL – DOWEL PIN



S-2.4

<http://precast.org>



NPCA

Precast ... The Concrete Solution

SCALE

NTS

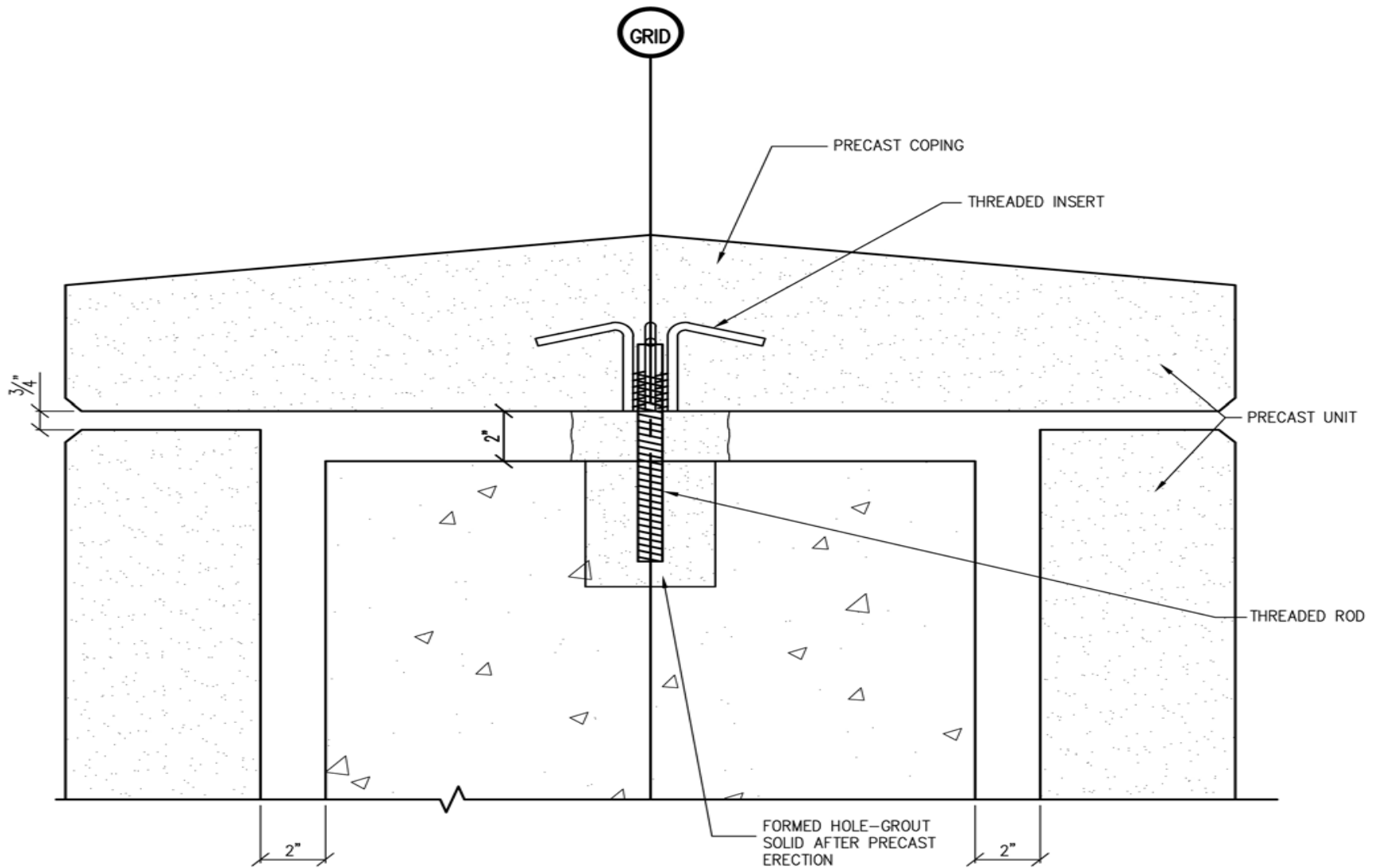
DN.BY

WCR

DATE

06/29/11

NOTE: PRECAST REINFORCING NOT SHOWN FOR CLARITY



CONNECTION DETAIL – DOWEL PIN



S-2.5

<http://precast.org>



NPCA

Precast ... The Concrete Solution

SCALE

NTS

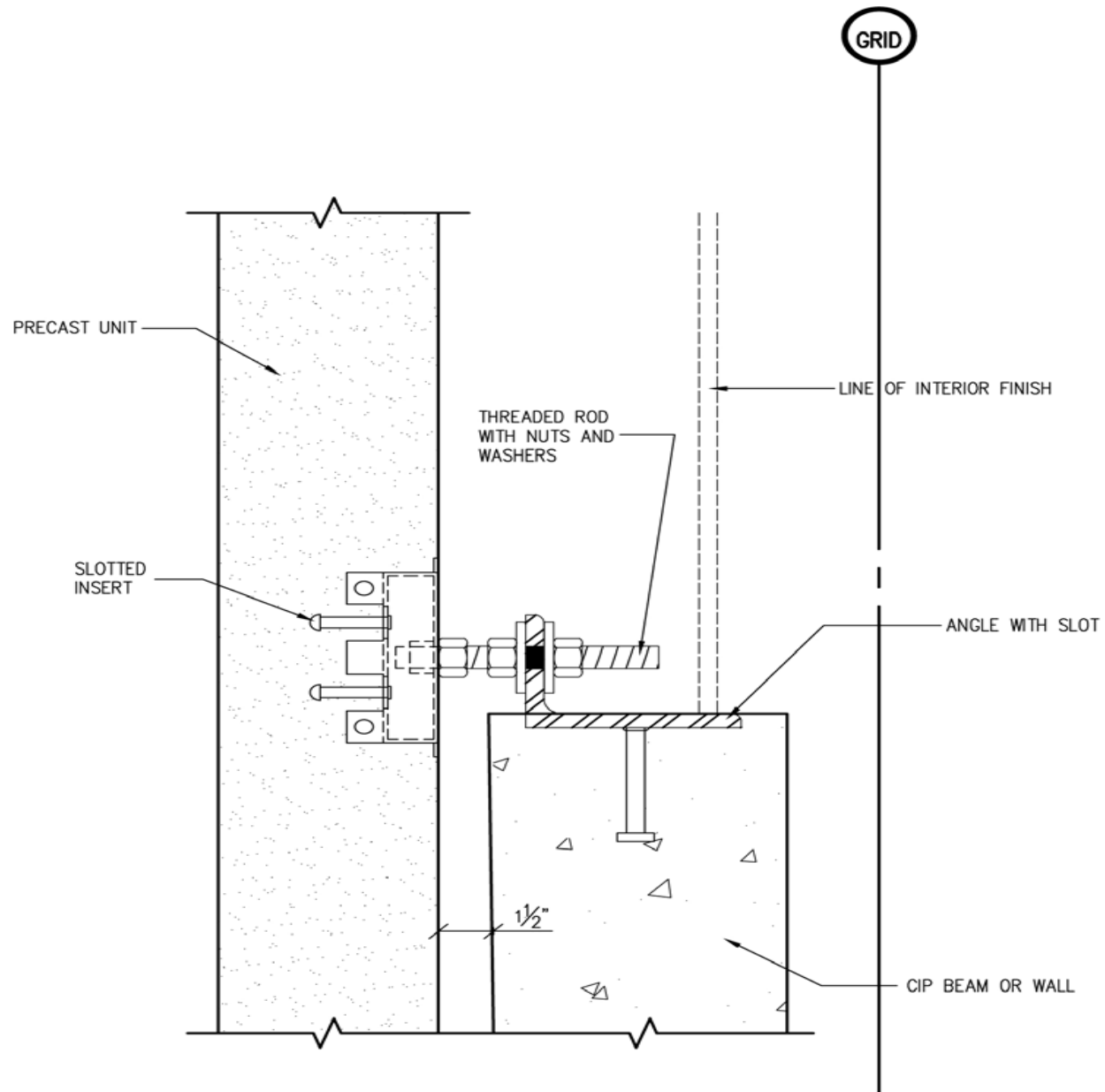
DN.BY

WCR

DATE

06/29/11

NOTE: PRECAST REINFORCING NOT SHOWN FOR CLARITY



CONNECTION DETAIL – ADJUSTABLE TIE BACK

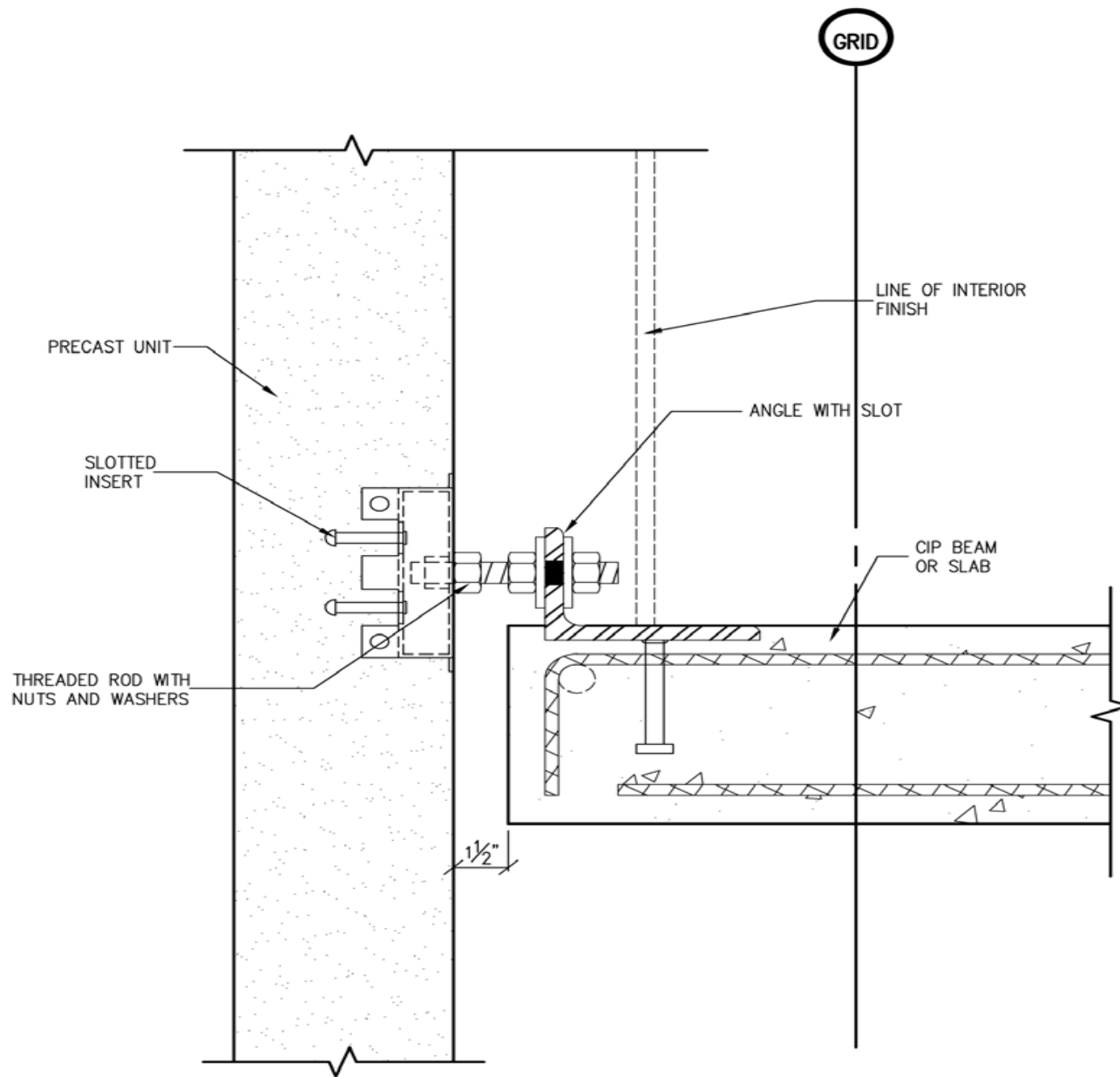


<http://precast.org>

S-3.1

SCALE	DN.BY	DATE
NTS	WCR	06/29/11

NOTE: PRECAST REINFORCING NOT SHOWN FOR CLARITY



CONNECTION DETAIL – ADJUSTABLE TIE BACK



<http://precast.org>

S-3.2



NPCA

Precast ... The Concrete Solution

SCALE

NTS

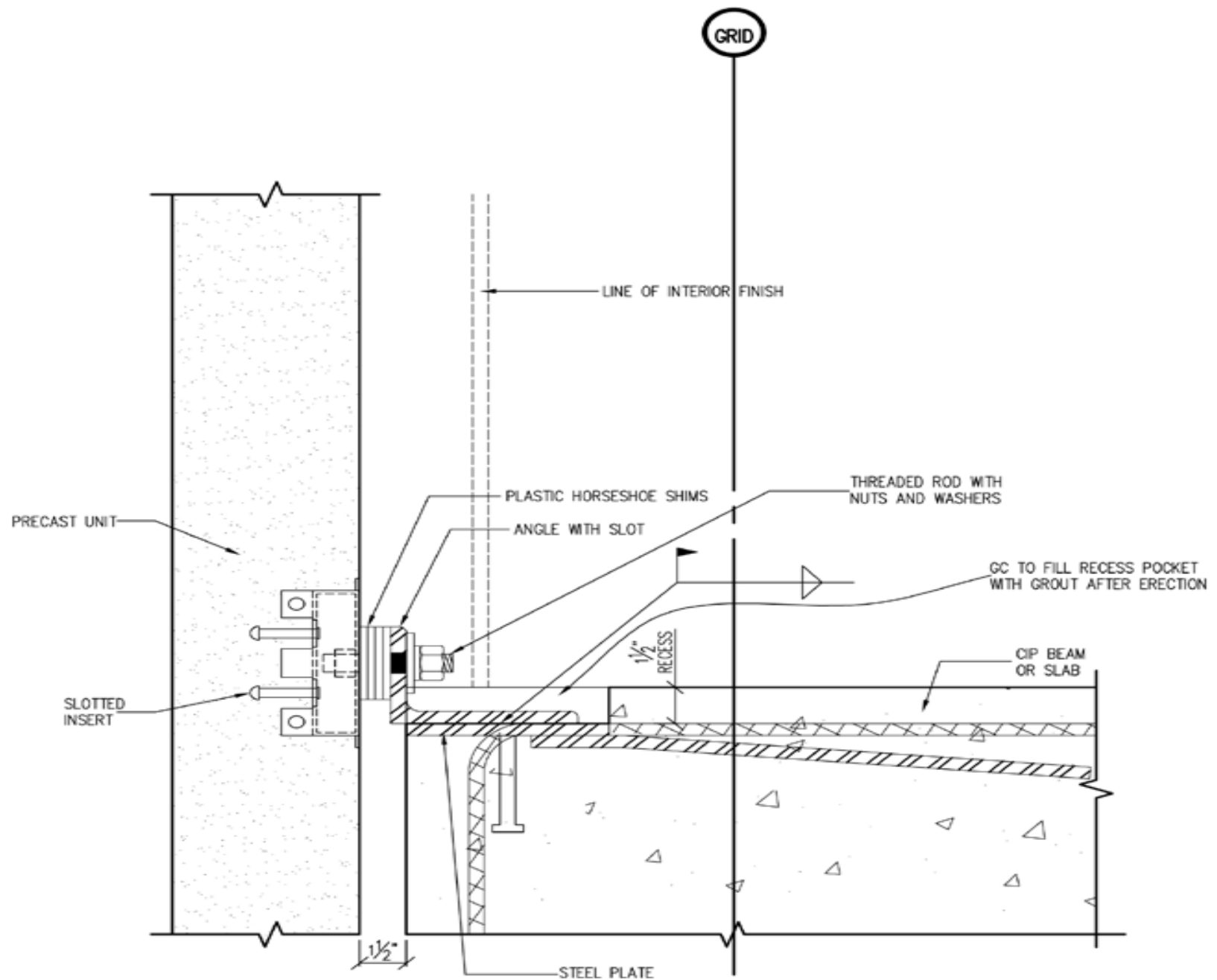
DN.BY

WCR

DATE

06/29/11

NOTE: PRECAST REINFORCING NOT SHOWN FOR CLARITY



CONNECTION DETAIL – ADJUSTABLE TIE BACK



NPCA

Precast ... The Concrete Solution

<http://precast.org>

S-3.3

SCALE

NTS

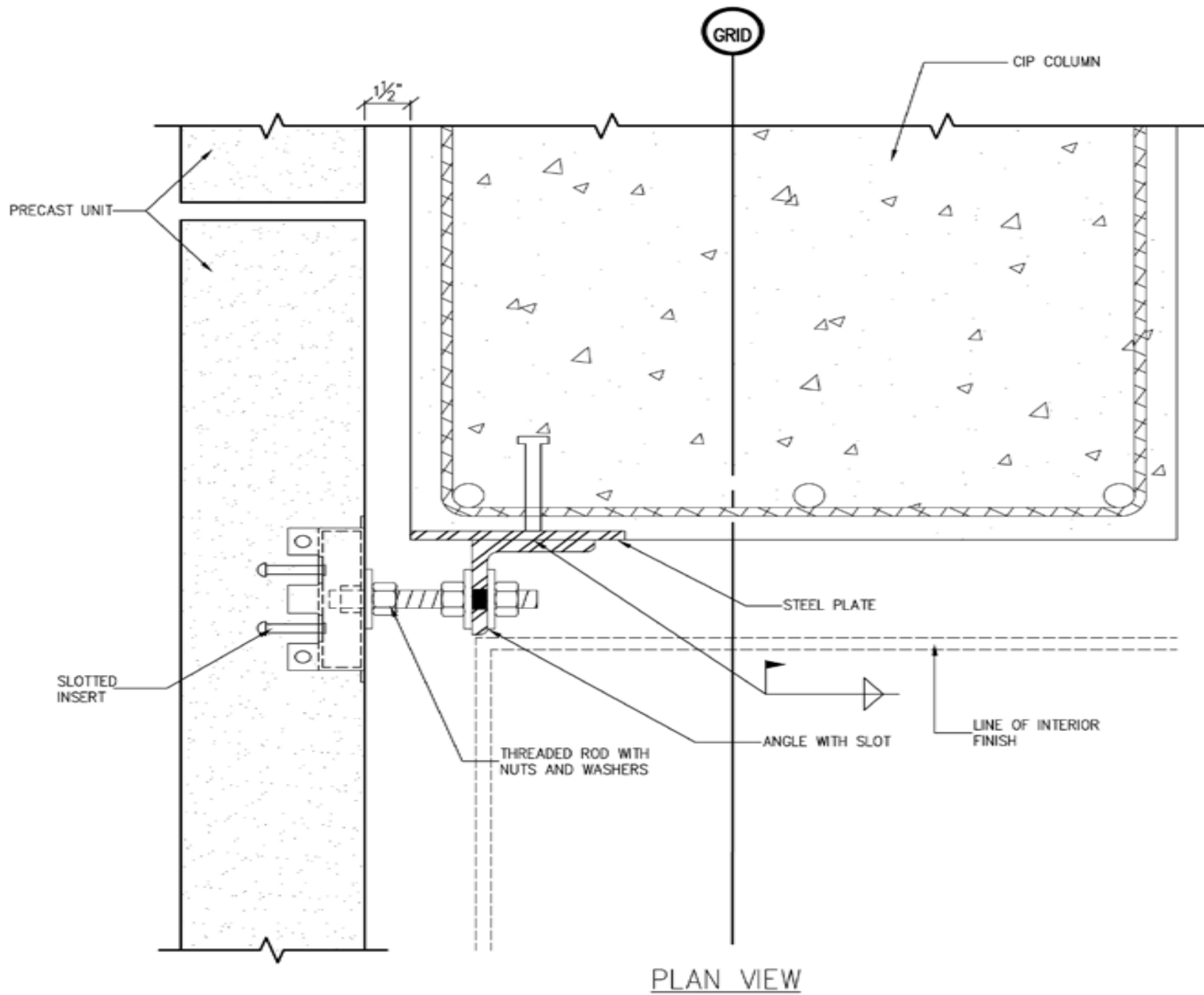
DN.BY

WCR

DATE

06/29/11

NOTE: PRECAST REINFORCING NOT SHOWN FOR CLARITY



CONNECTION DETAIL – ADJUSTABLE TIE BACK



NPCA

Precast ... The Concrete Solution

<http://precast.org>

S-3.4

SCALE

DN.BY

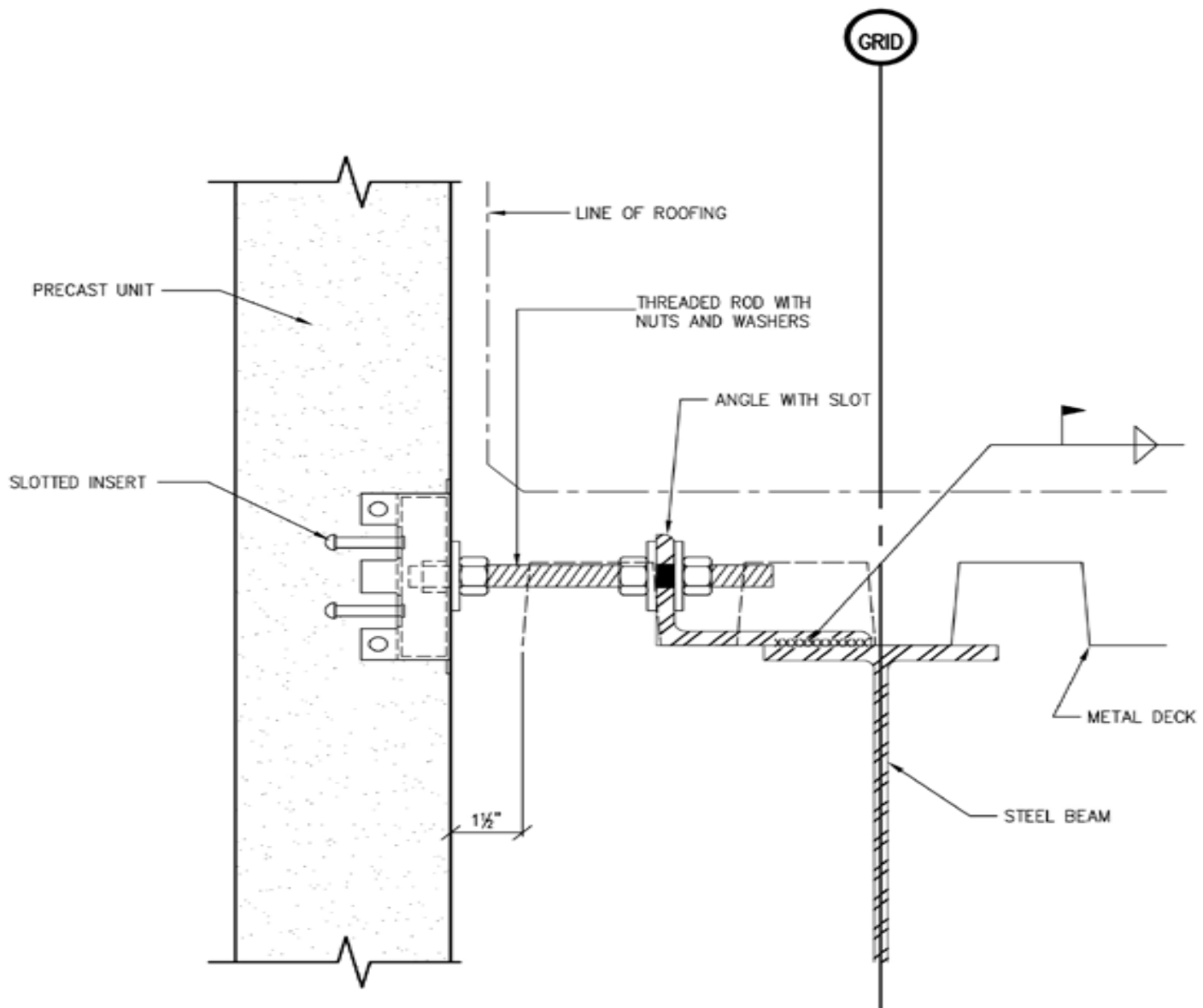
DATE

NTS

WCR

06/29/11

NOTE: PRECAST REINFORCING NOT SHOWN FOR CLARITY



CONNECTION DETAIL – ADJUSTABLE TIE BACK

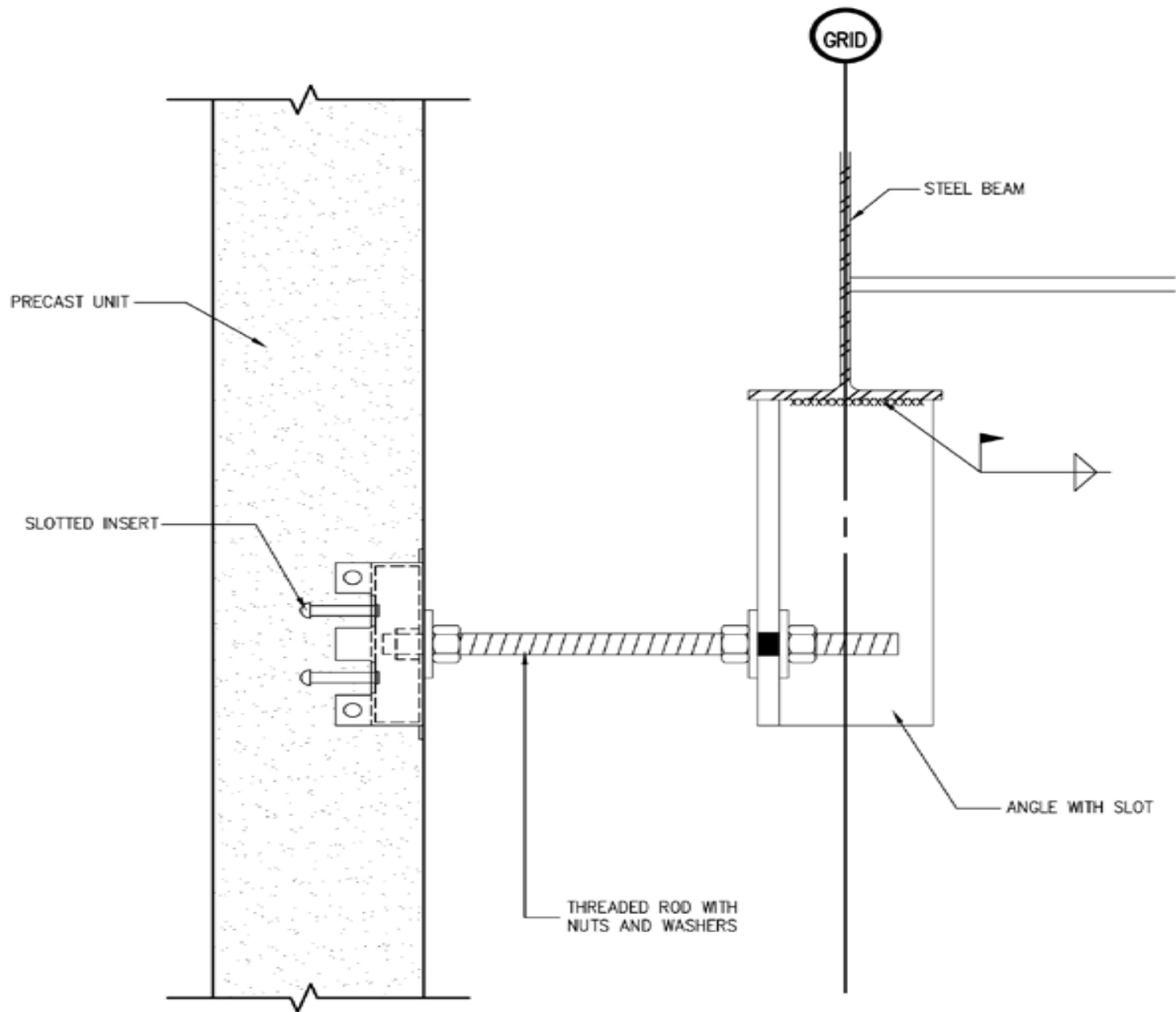


<http://precast.org>

S-3.5

SCALE	DN.BY	DATE
NTS	WCR	06/29/11

NOTE: PRECAST REINFORCING NOT SHOWN FOR CLARITY



CONNECTION DETAIL – ADJUSTABLE TIE BACK



S-3.6



NPCA

Precast ... The Concrete Solution

<http://precast.org>

SCALE

NTS

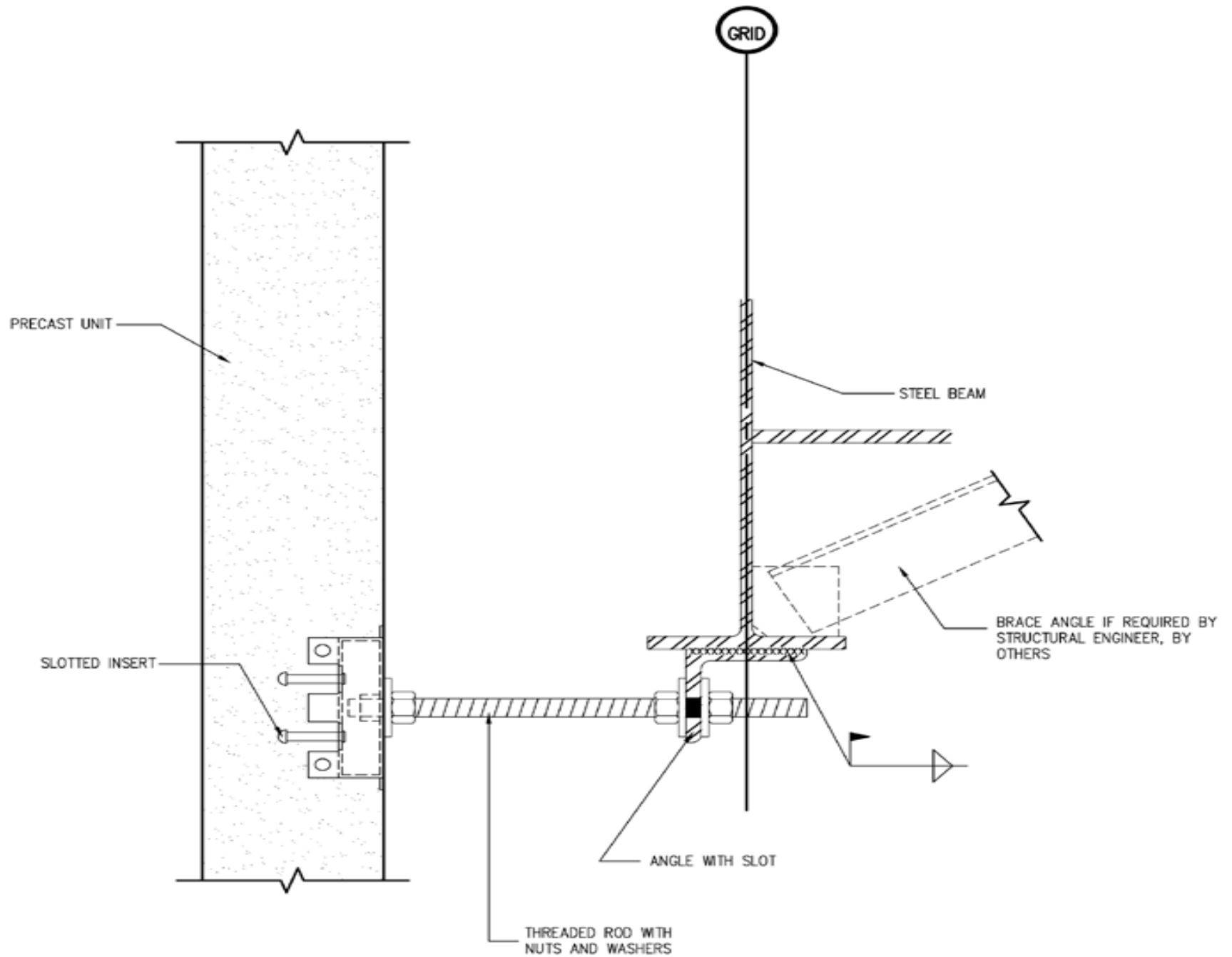
DN.BY

WCR

DATE

06/29/11

NOTE: PRECAST REINFORCING NOT SHOWN FOR CLARITY



CONNECTION DETAIL – ADJUSTABLE TIE BACK



S-3.7



NPCA

Precast ... The Concrete Solution

<http://precast.org>

SCALE

NTS

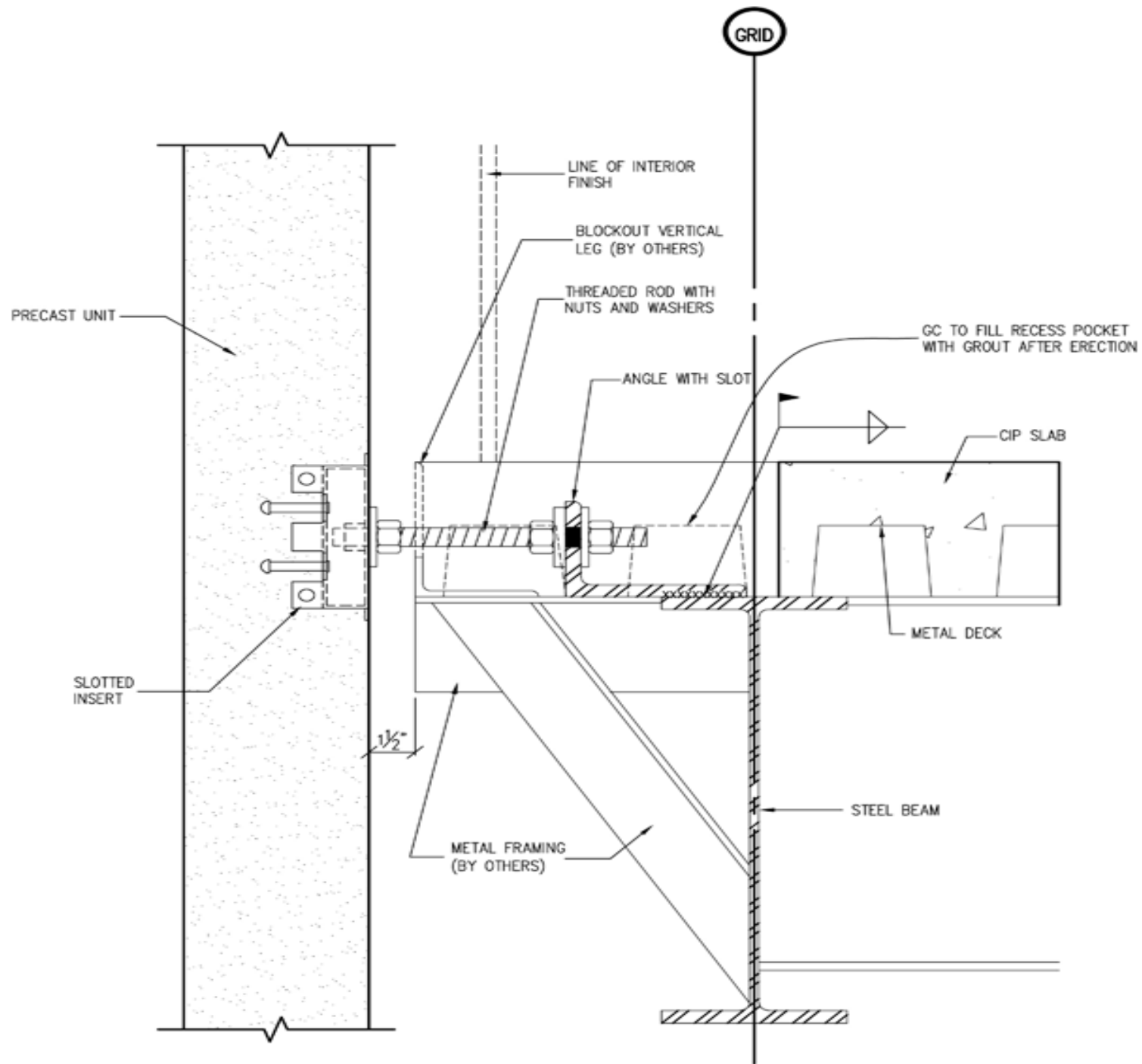
DN.BY

WCR

DATE

06/29/11

NOTE: PRECAST REINFORCING NOT SHOWN FOR CLARITY



CONNECTION DETAIL – ADJUSTABLE TIE BACK



NPCA

Precast ... The Concrete Solution

<http://precast.org>

S-3.8

SCALE

DN.BY

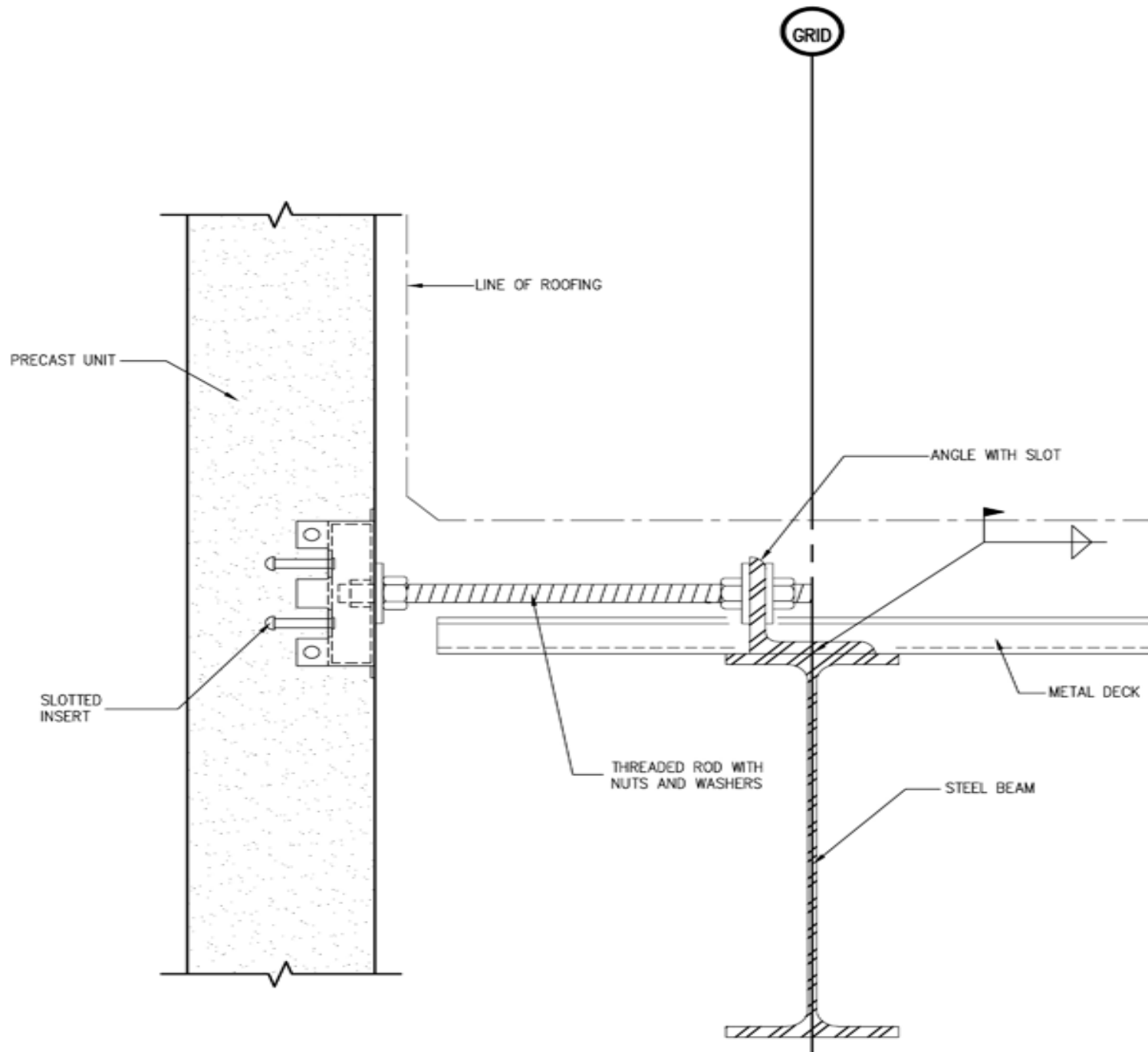
DATE

NTS

WCR

06/29/11

NOTE: PRECAST REINFORCING NOT SHOWN FOR CLARITY



CONNECTION DETAIL – ADJUSTABLE TIE BACK



NPCA

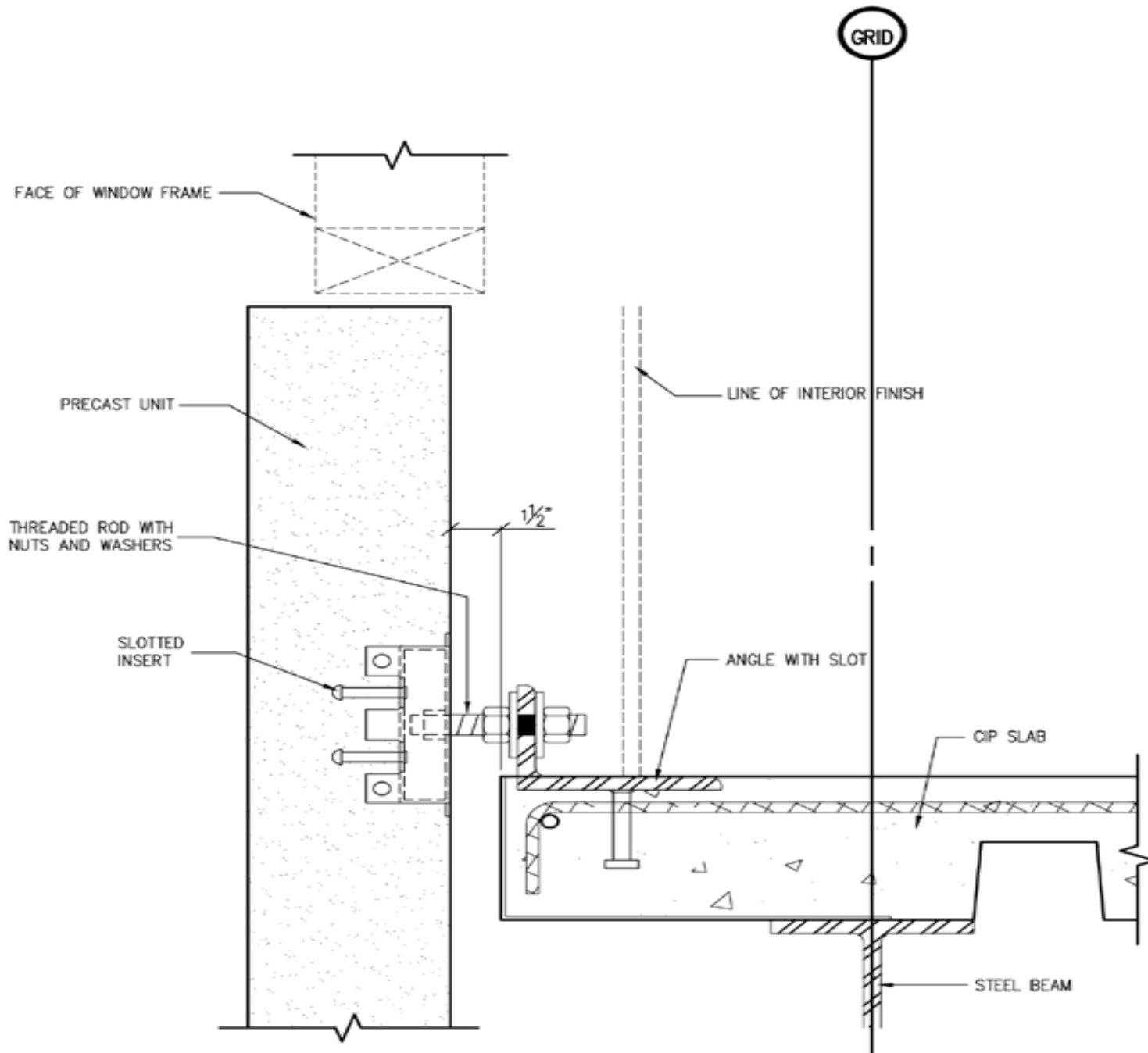
Precast ... The Concrete Solution

<http://precast.org>

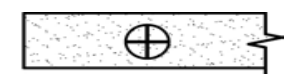
S-3.9

SCALE	DN.BY	DATE
NTS	WCR	06/29/11

PRECAST REINFORCING NOT SHOWN FOR CLARITY



CONNECTION DETAIL – ADJUSTABLE TIE BACK

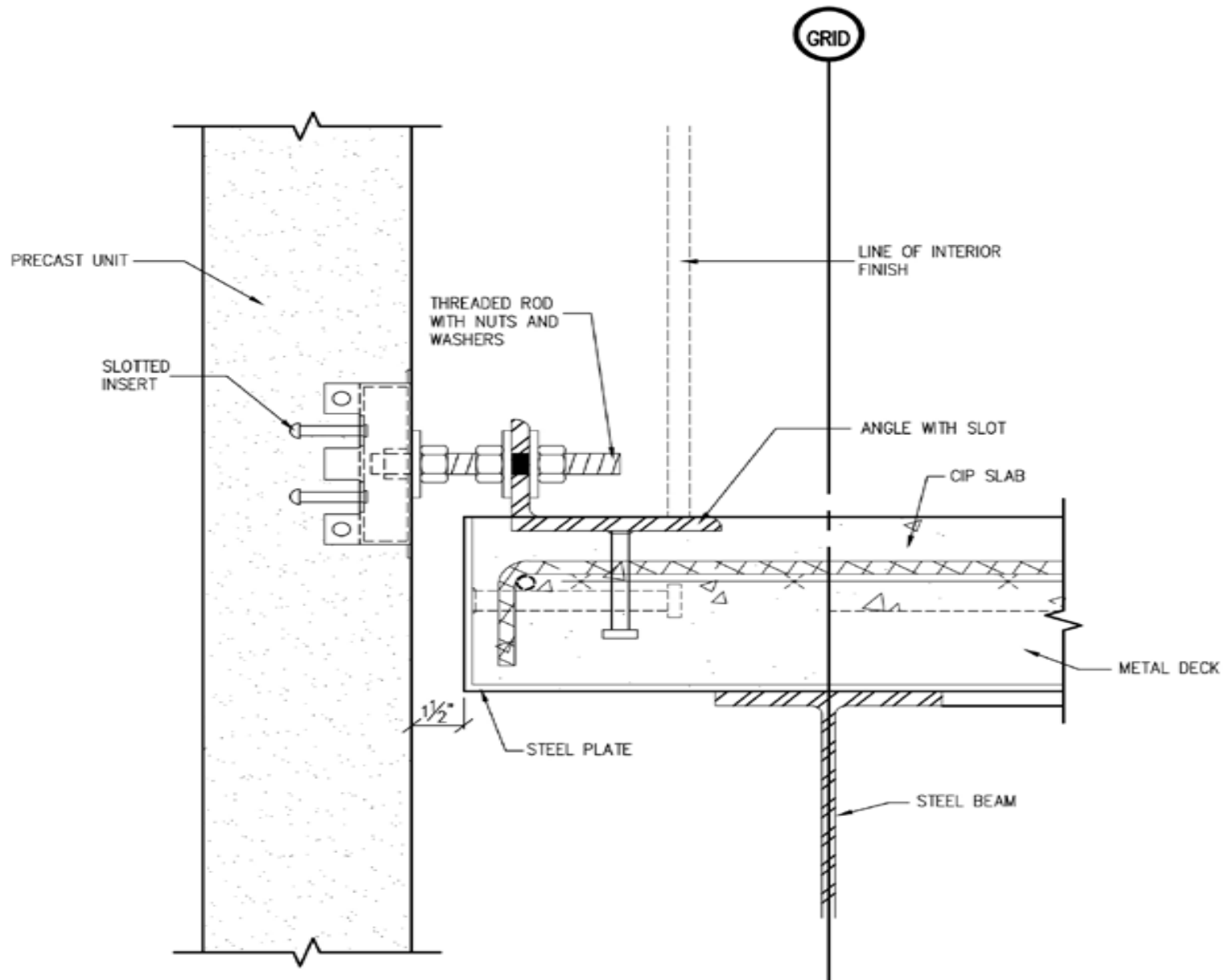


<http://precast.org>

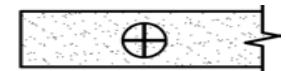
S-3.10

SCALE	DN.BY	DATE
NTS	WCR	06/29/11

NOTE: PRECAST REINFORCING NOT SHOWN FOR CLARITY



CONNECTION DETAIL – ADJUSTABLE TIE BACK



NPCA

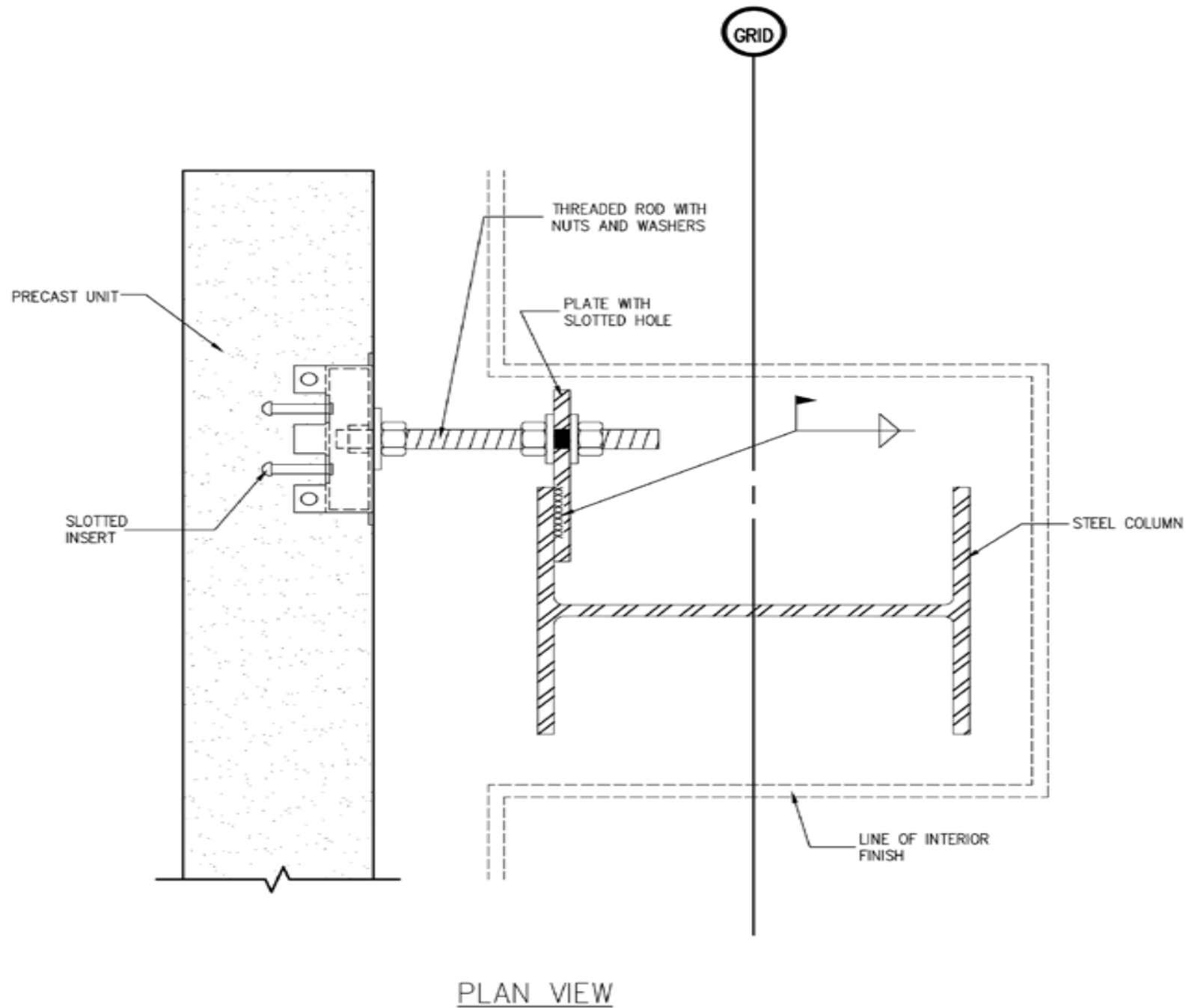
Precast ... The Concrete Solution

<http://precast.org>

S-3.11

SCALE	DN.BY	DATE
NTS	WCR	06/29/11

NOTE: PRECAST REINFORCING NOT SHOWN FOR CLARITY



CONNECTION DETAIL – ADJUSTABLE TIE BACK



<http://precast.org>

S-3.12



NPCA

Precast ... The Concrete Solution

SCALE

NTS

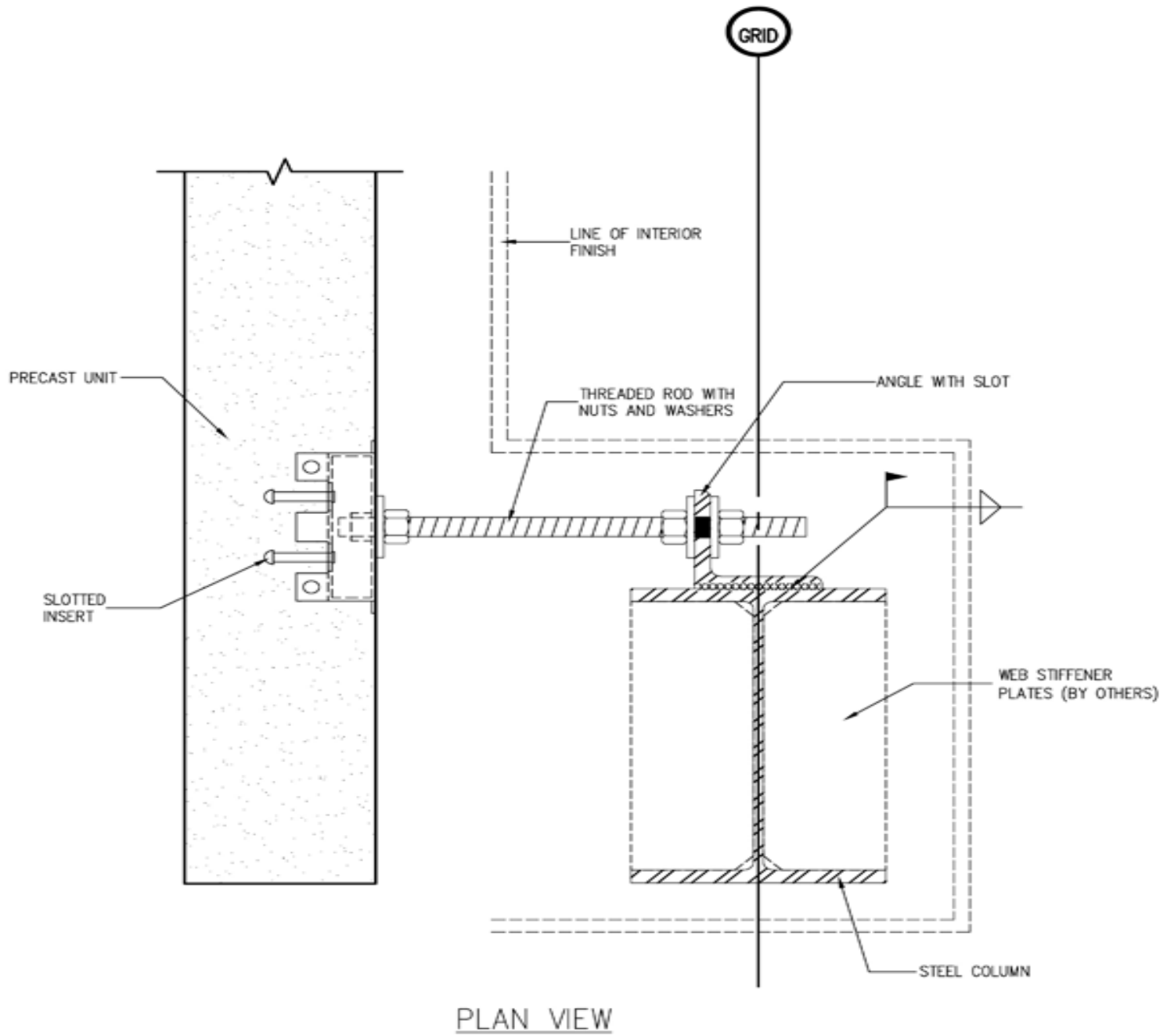
DN.BY

WCR

DATE

06/29/11

NOTE: PRECAST REINFORCING NOT SHOWN FOR CLARITY



CONNECTION DETAIL – ADJUSTABLE TIE BACK

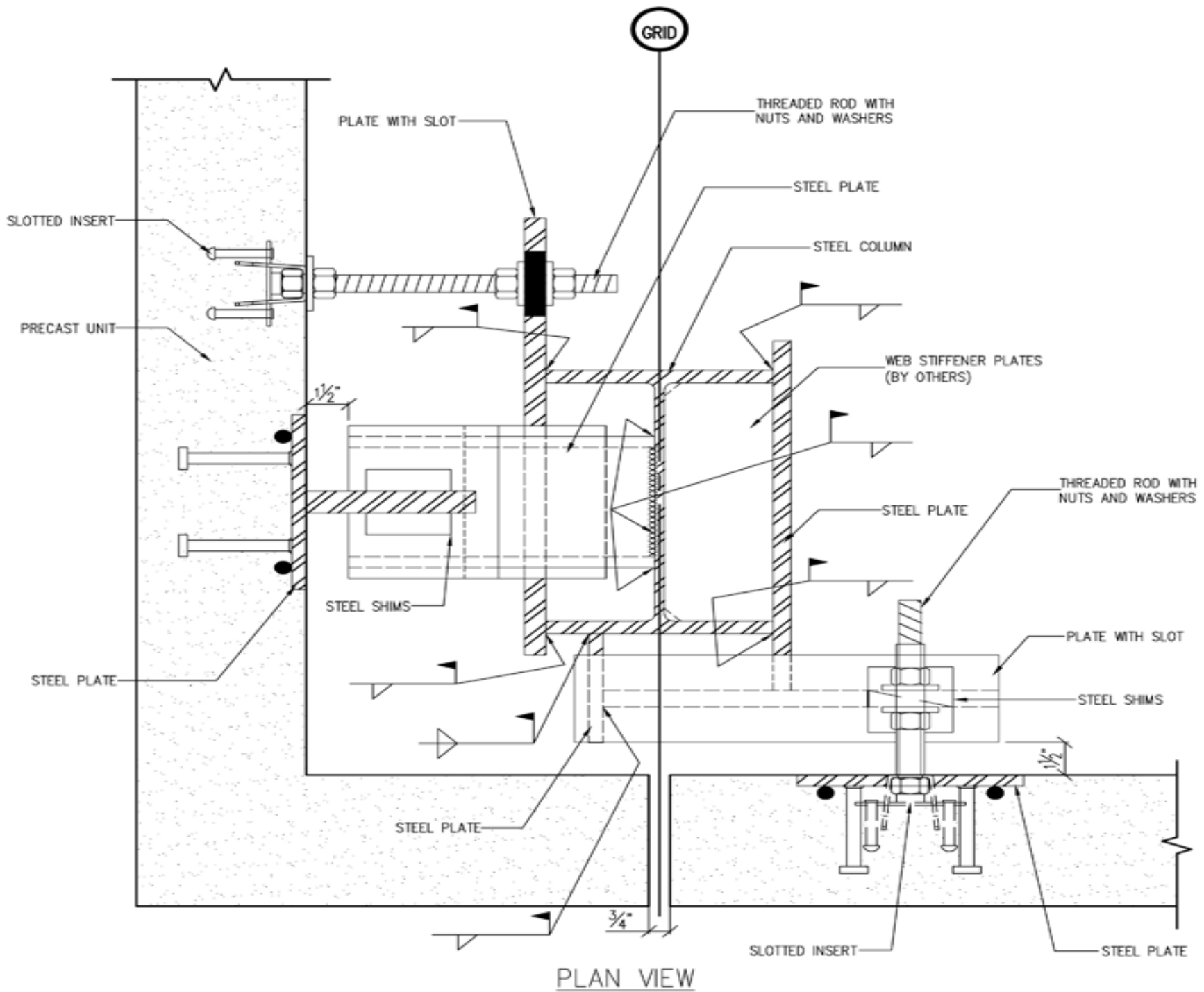


<http://precast.org>

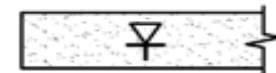
S-3.13

SCALE	DN.BY	DATE
NTS	WCR	06/29/11

NOTE: PRECAST REINFORCING NOT SHOWN FOR CLARITY



CONNECTION DETAIL – BEARING + TIE BACK



<http://precast.org>

S-3.14



NPCA

Precast ... The Concrete Solution

SCALE

NTS

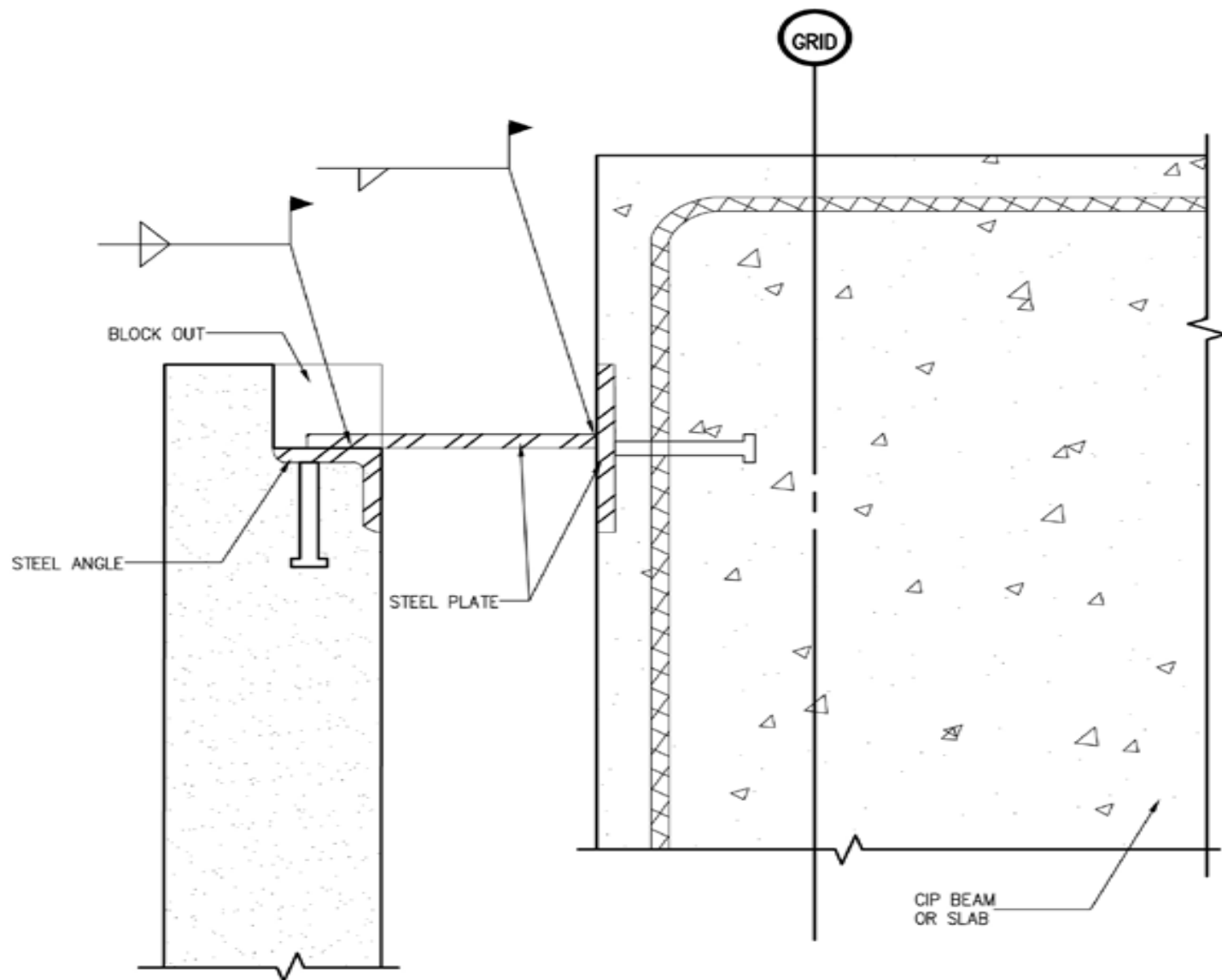
DN.BY

WCR

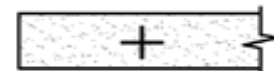
DATE

06/29/11

NOTE: PRECAST REINFORCING NOT SHOWN FOR CLARITY



CONNECTION DETAIL – FIXED TIE BACK



<http://precast.org>

S-4.1



NPCA

Precast ... The Concrete Solution

SCALE

NTS

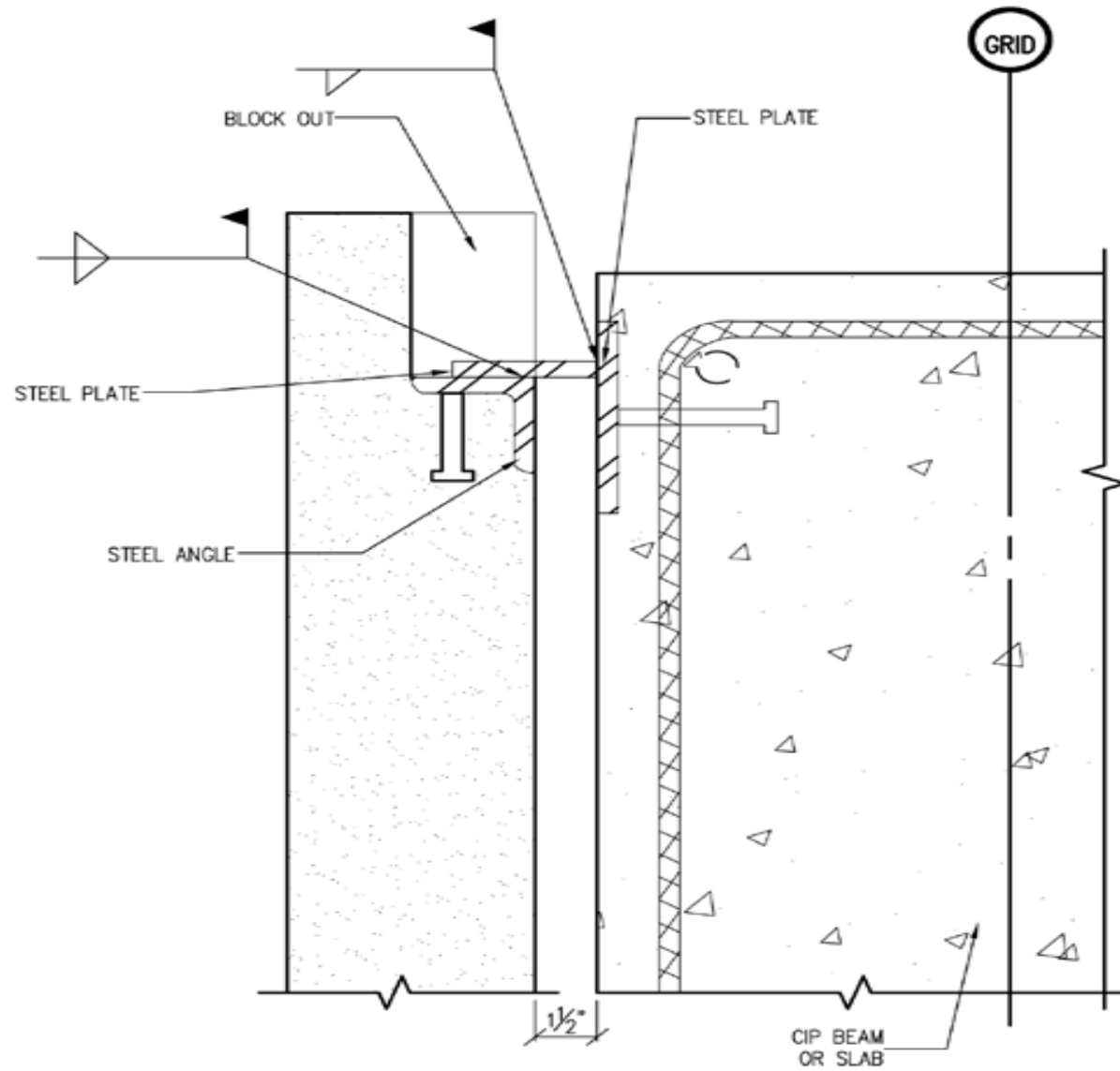
DN.BY

WCR

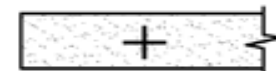
DATE

06/29/11

NOTE: PRECAST REINFORCING NOT SHOWN FOR CLARITY



CONNECTION DETAIL – FIXED TIE BACK



NPCA

Precast ... The Concrete Solution

<http://precast.org>

S-4.2

SCALE

DN.BY

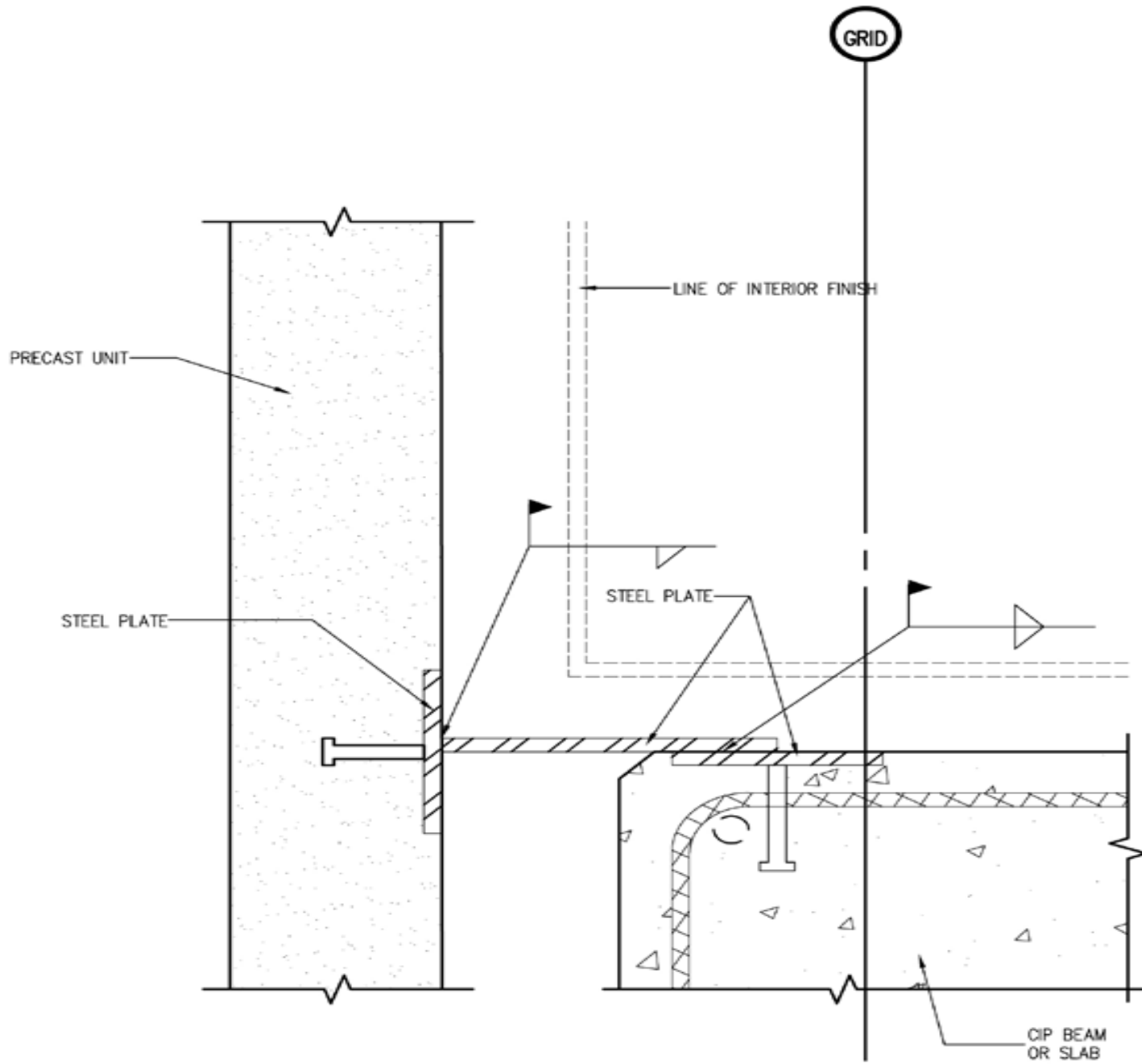
DATE

NTS

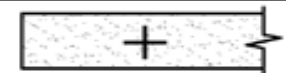
WCR

06/29/11

NOTE: PRECAST REINFORCING NOT SHOWN FOR CLARITY



CONNECTION DETAIL – FIXED TIE BACK



NPCA

Precast ... The Concrete Solution

<http://precast.org>

S-4.3

SCALE

DN.BY

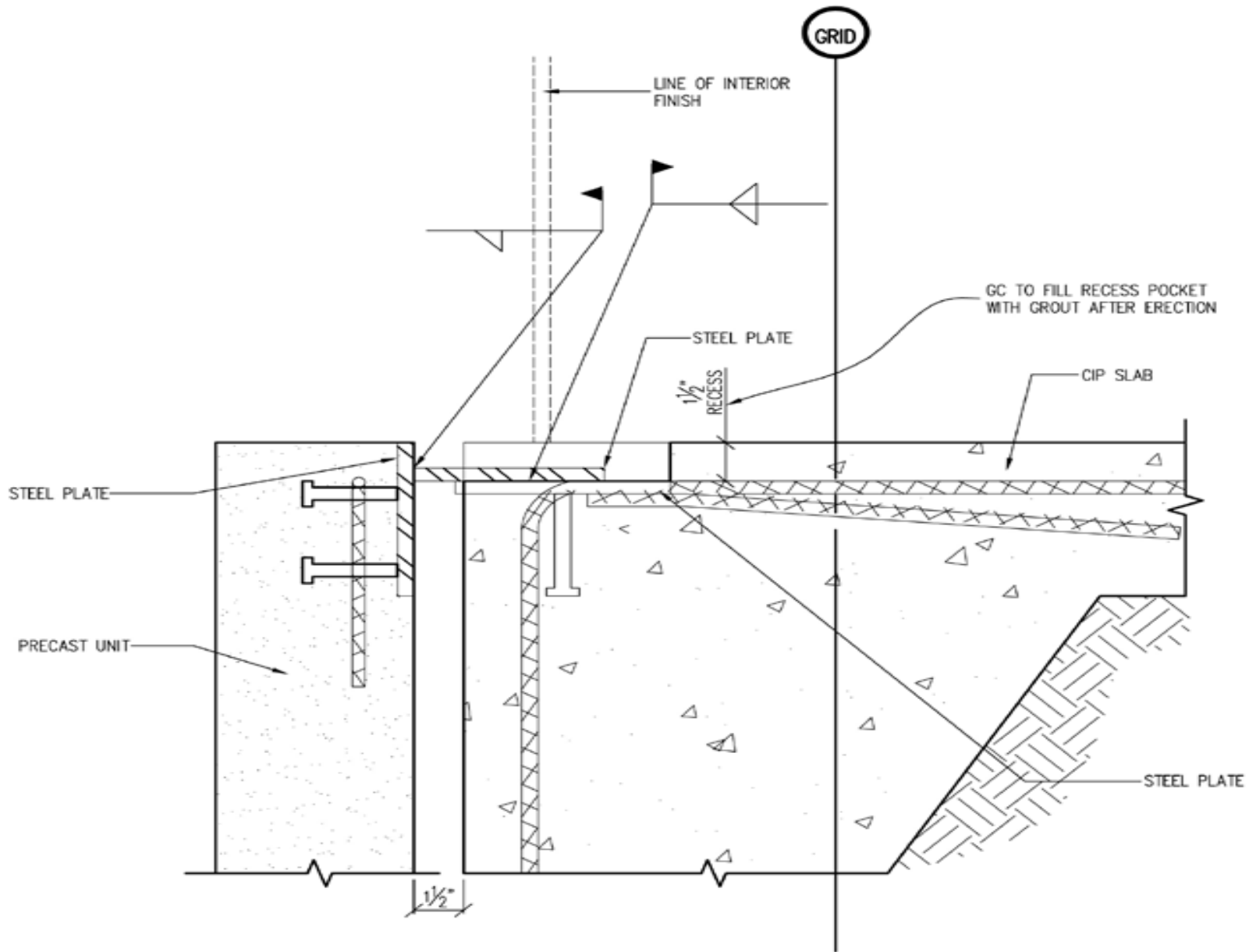
DATE

NTS

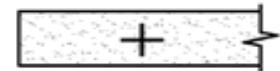
WCR

06/29/11

NOTE: PRECAST REINFORCING NOT SHOWN FOR CLARITY



CONNECTION DETAIL – FIXED TIE BACK

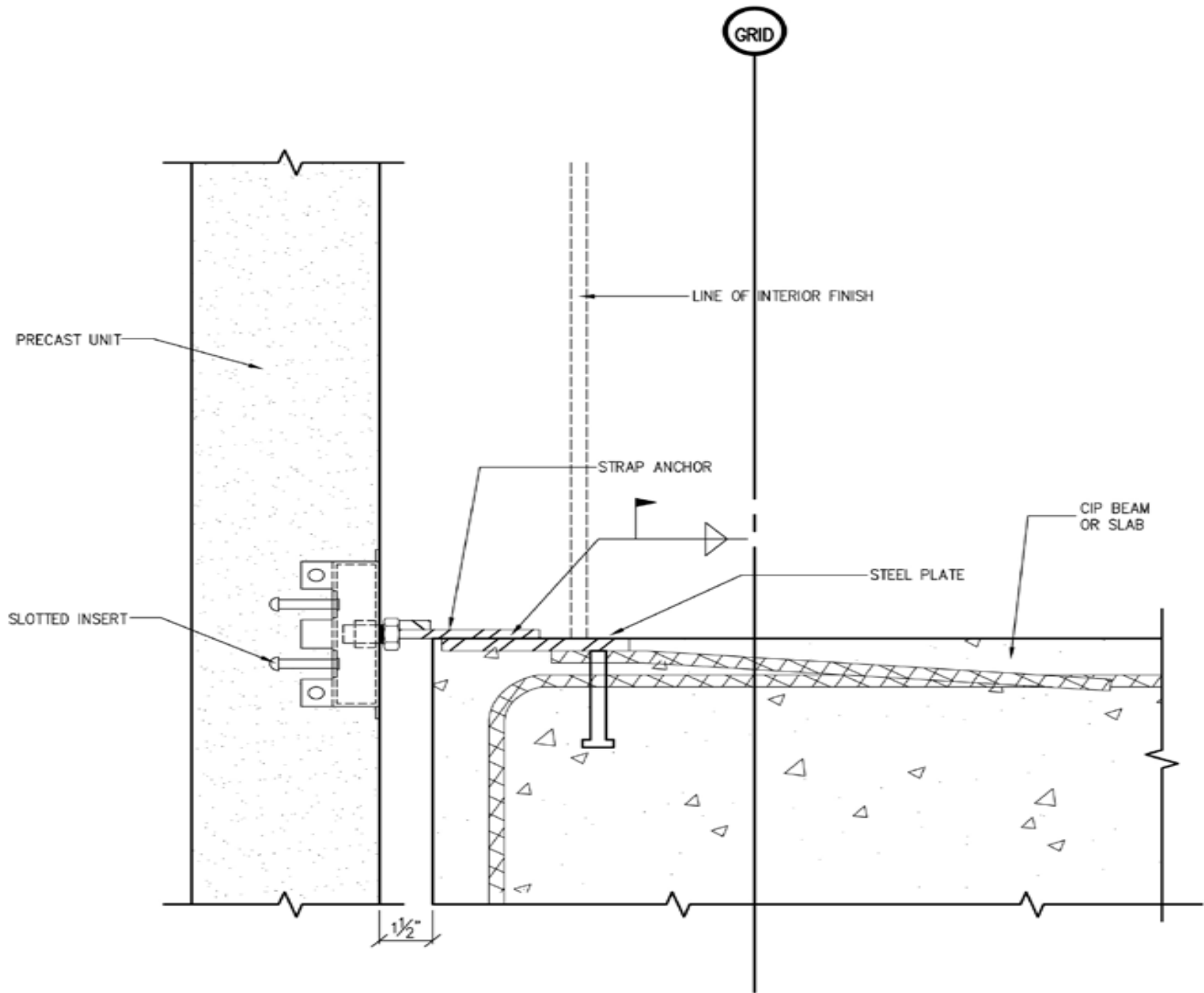


<http://precast.org>

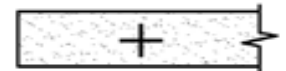
S-4.4

SCALE	DN.BY	DATE
NTS	WCR	06/29/11

NOTE: PRECAST REINFORCING NOT SHOWN FOR CLARITY



CONNECTION DETAIL – FIXED TIE BACK

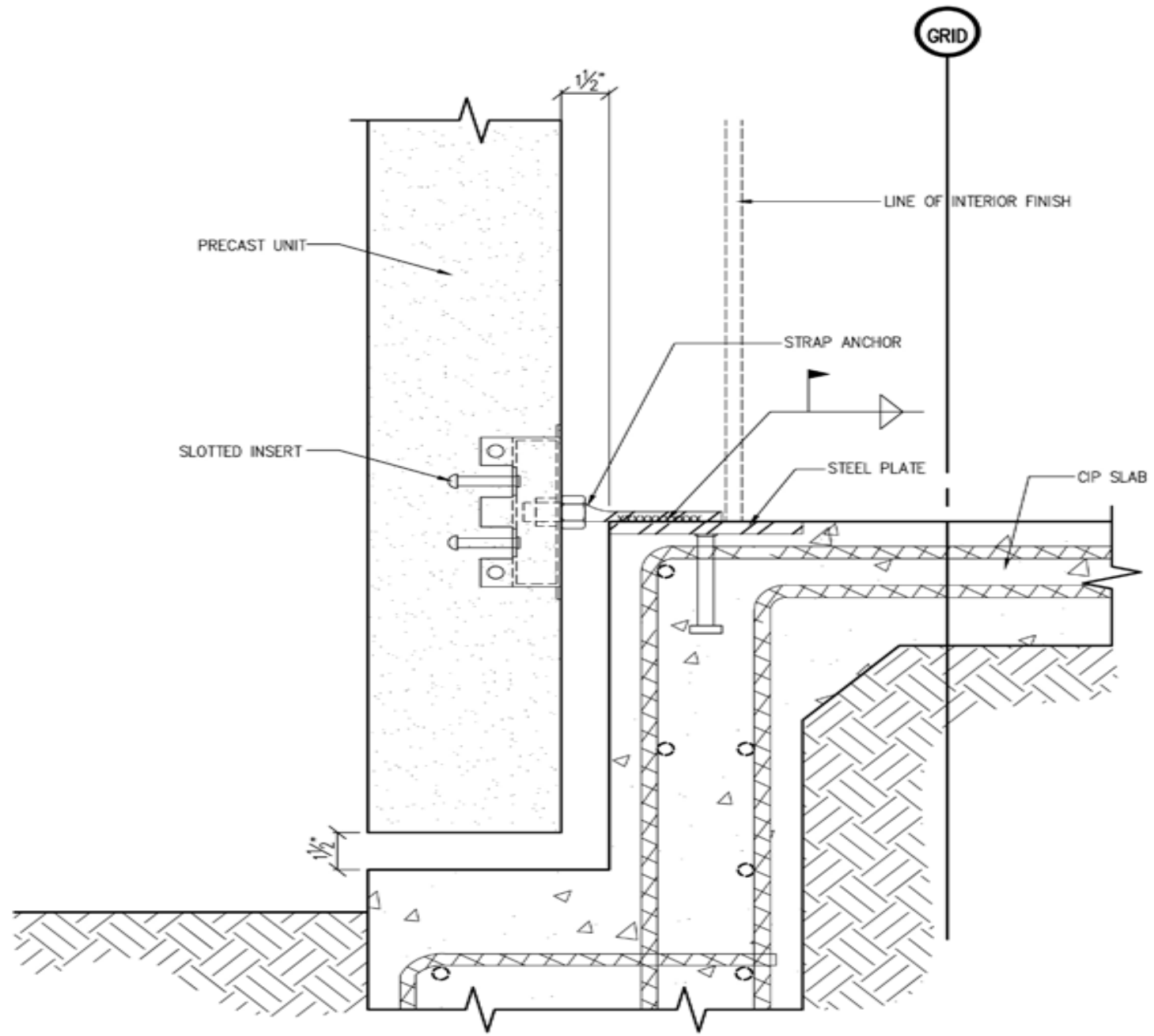


<http://precast.org>

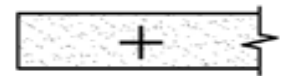
S-4.5

SCALE	DN.BY	DATE
NTS	WCR	06/29/11

NOTE: PRECAST REINFORCING NOT SHOWN FOR CLARITY



CONNECTION DETAIL – FIXED TIE BACK

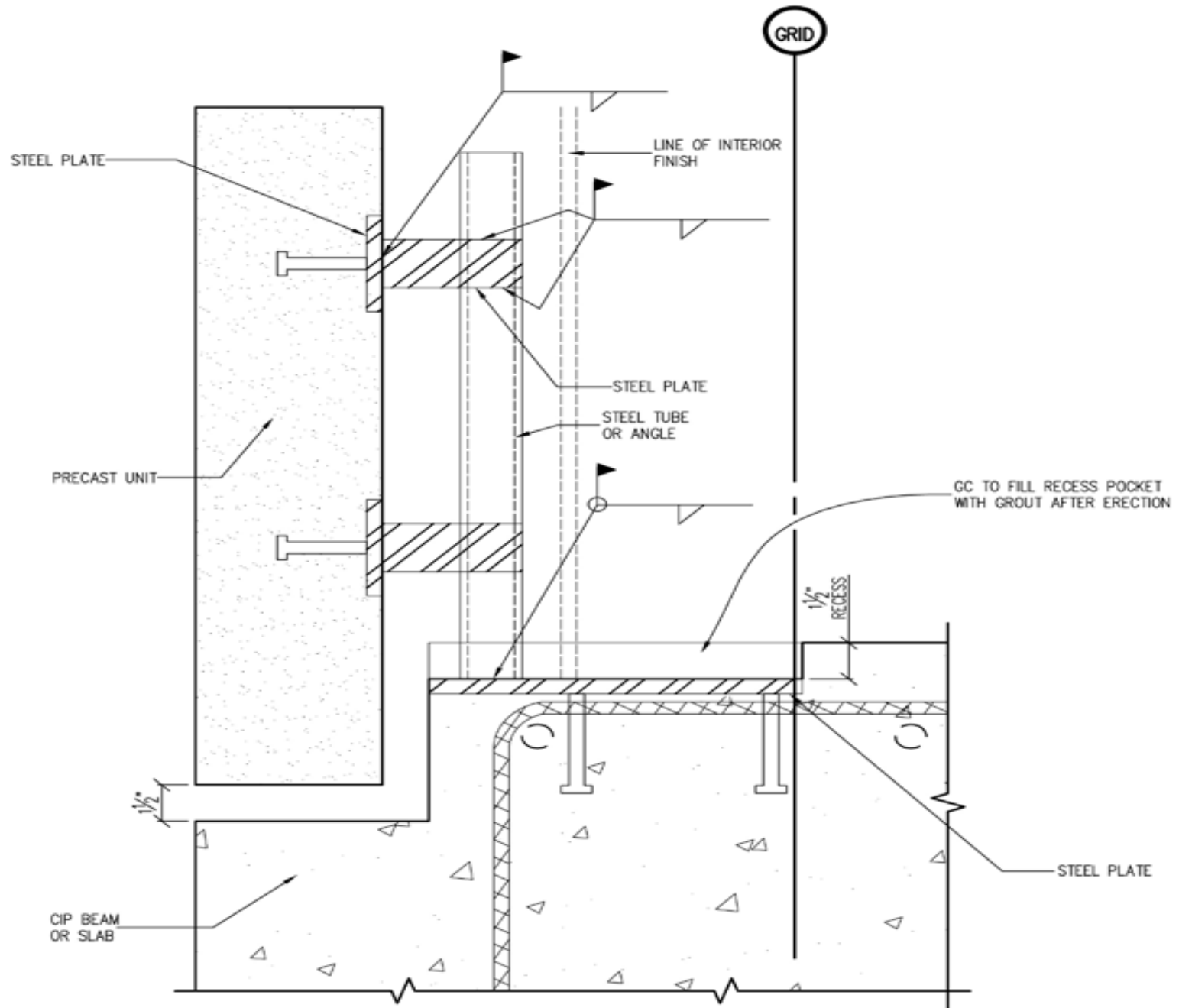


<http://precast.org>

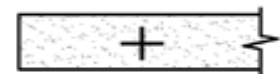
S-4.6

SCALE	DN.BY	DATE
NTS	WCR	06/29/11

NOTE: PRECAST REINFORCING NOT SHOWN FOR CLARITY



CONNECTION DETAIL – FIXED TIE BACK



<http://precast.org>

S-4.7



NPCA

Precast ... The Concrete Solution

SCALE

DN.BY

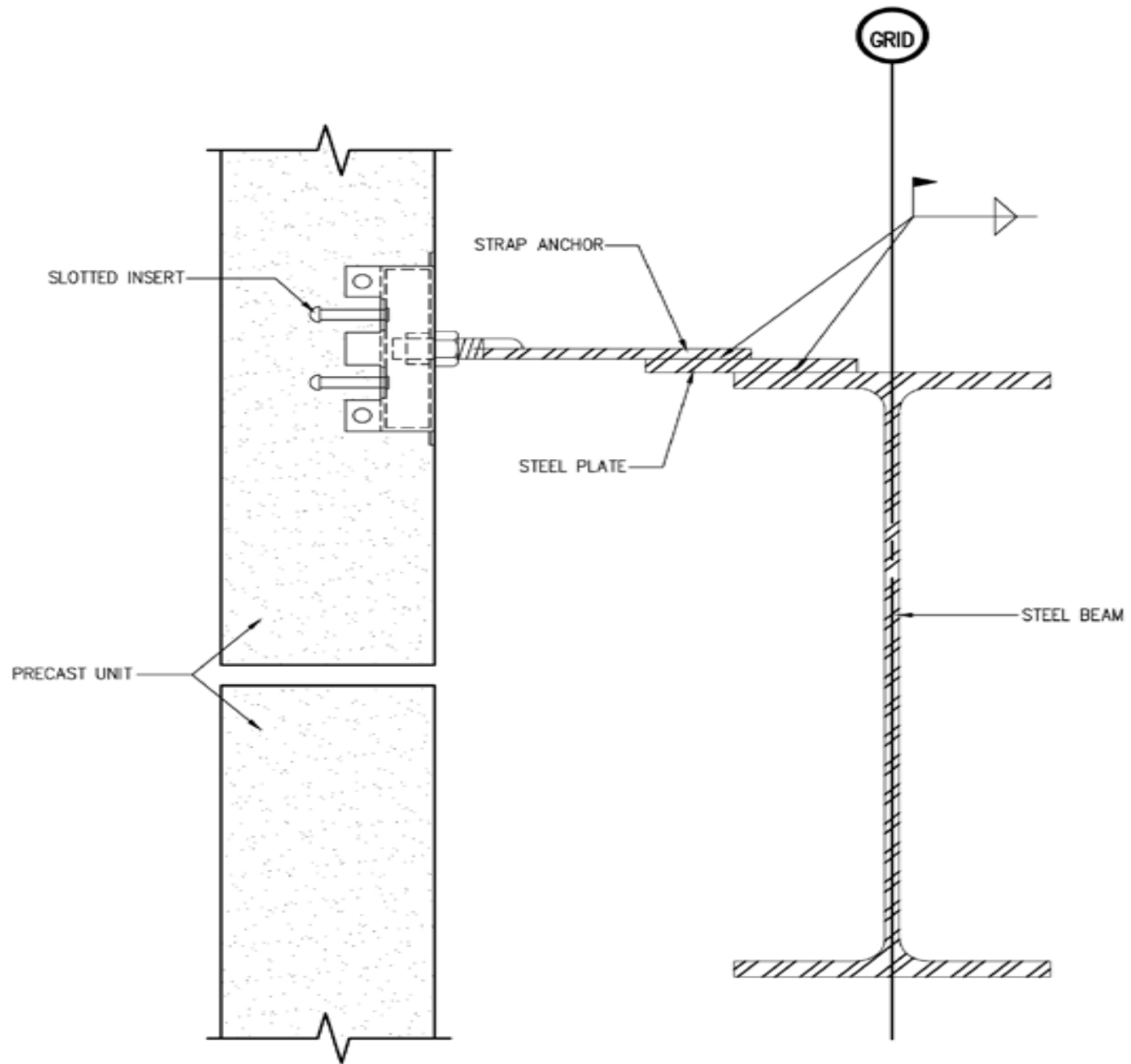
DATE

NTS

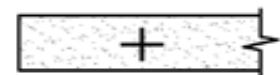
WCR

06/29/11

NOTE: PRECAST REINFORCING NOT SHOWN FOR CLARITY



CONNECTION DETAIL – FIXED TIE BACK

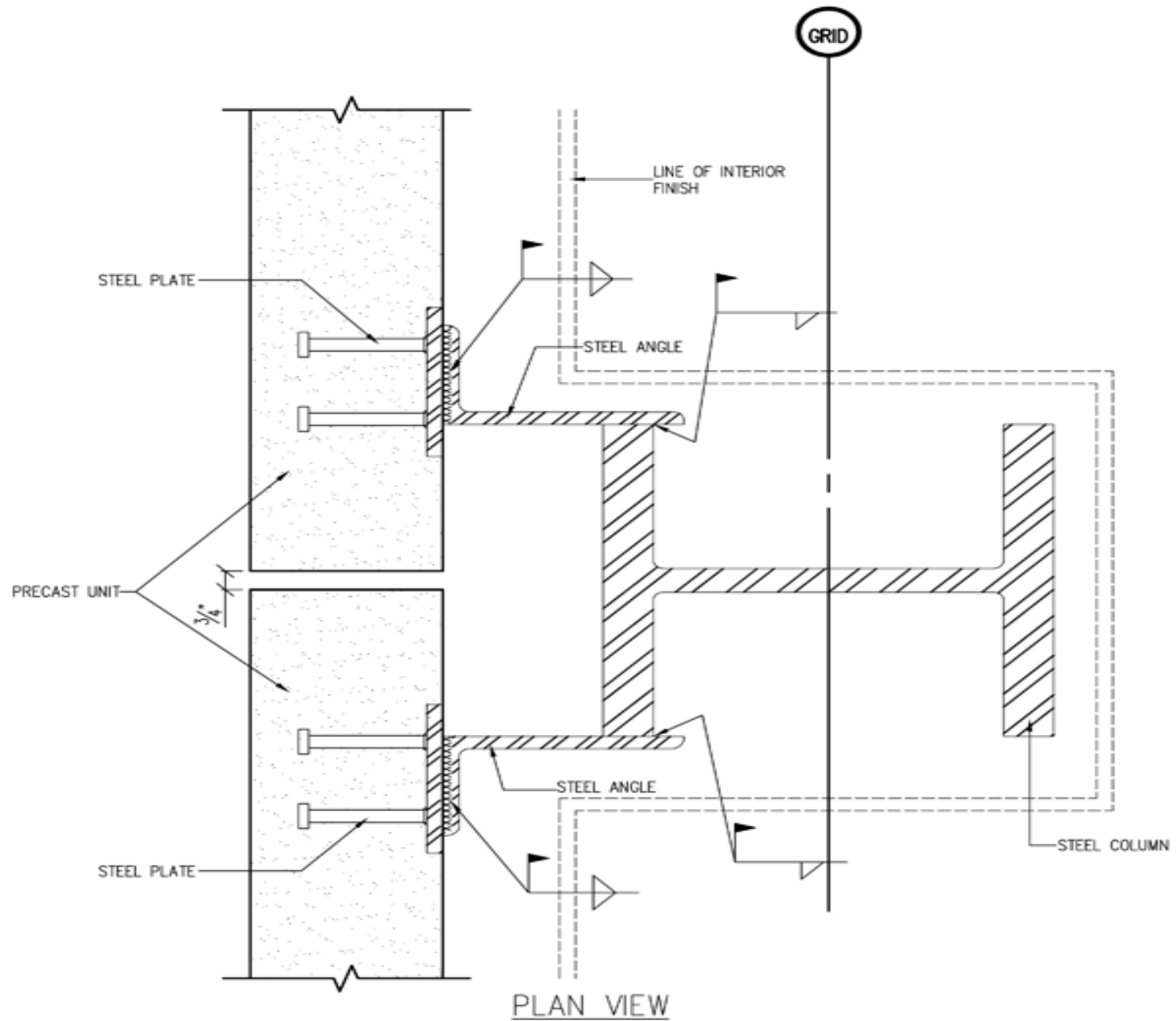


<http://precast.org>

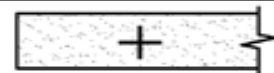
S-4.8

SCALE	DN.BY	DATE
NTS	WCR	06/29/11

NOTE: PRECAST REINFORCING NOT SHOWN FOR CLARITY



CONNECTION DETAIL – FIXED TIE BACK

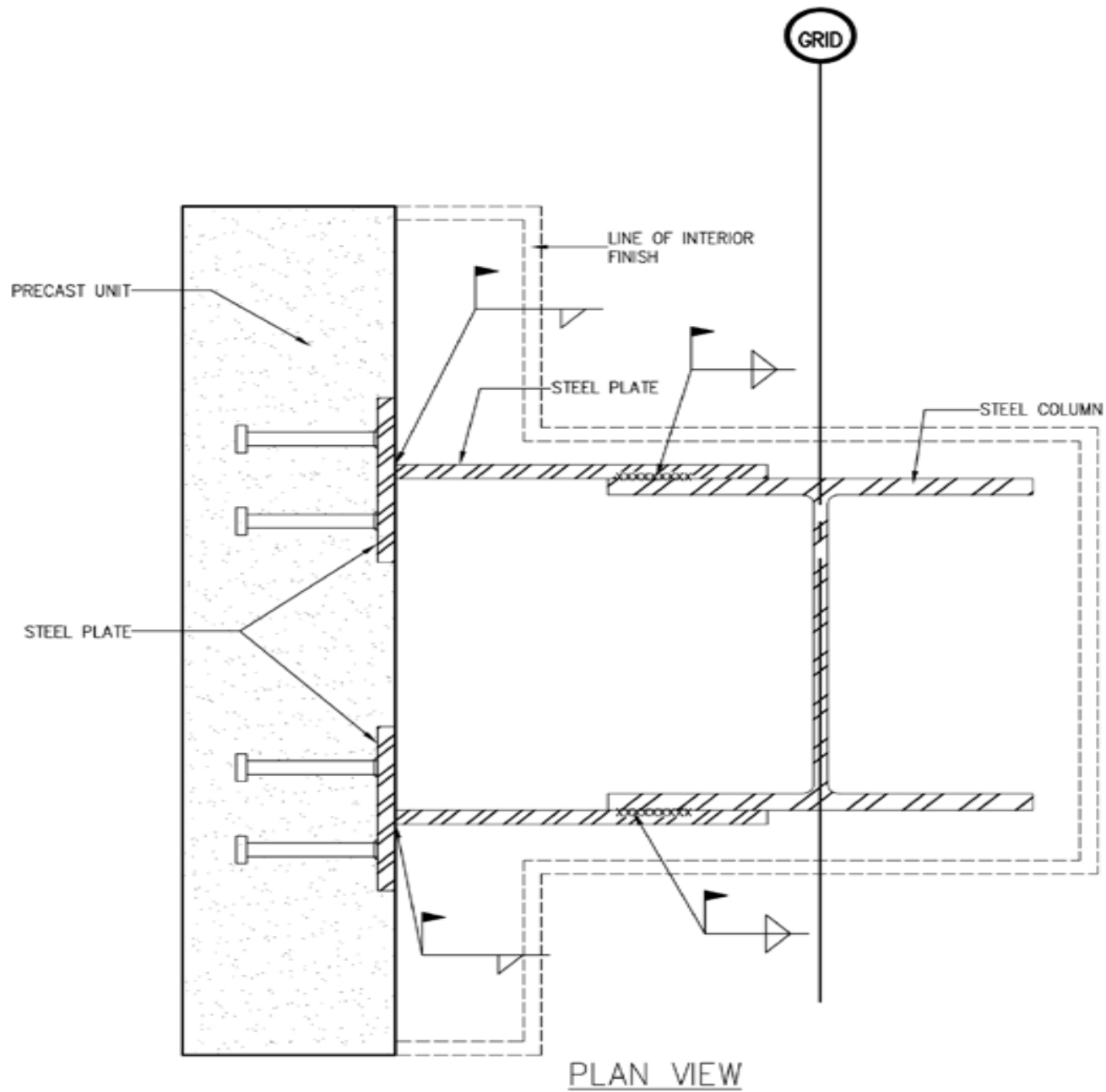


<http://precast.org>

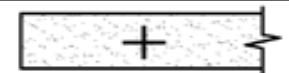
S-4.9

SCALE	DN.BY	DATE
NTS	WCR	06/29/11

NOTE: PRECAST REINFORCING NOT SHOWN FOR CLARITY



CONNECTION DETAIL – FIXED TIE BACK



<http://precast.org>

S-4.10



NPCA

Precast ... The Concrete Solution

SCALE

NTS

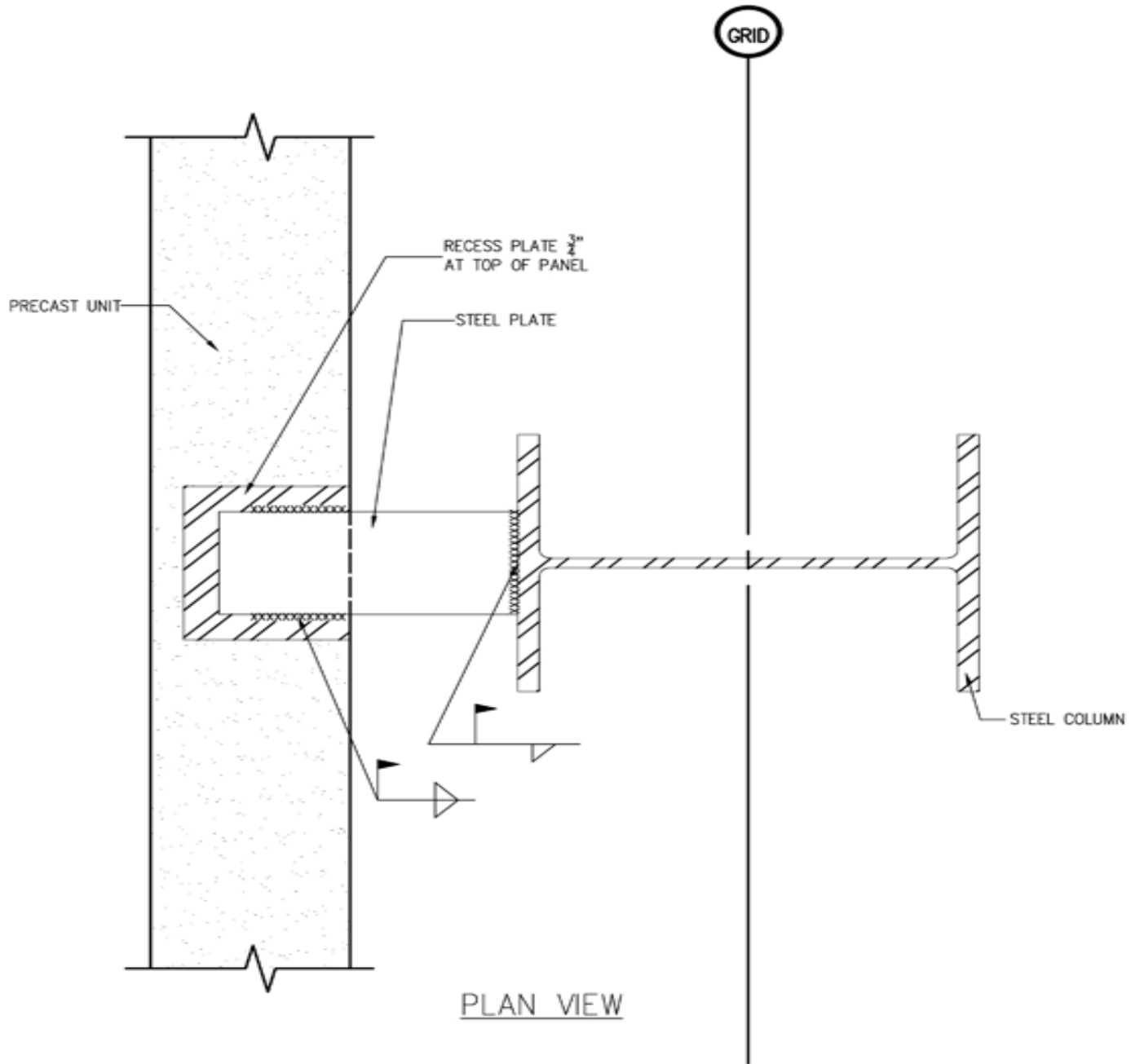
DN.BY

WCR

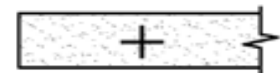
DATE

06/29/11

NOTE: PRECAST REINFORCING NOT SHOWN FOR CLARITY



CONNECTION DETAIL – FIXED TIE BACK



<http://precast.org>

S-4.11



NPCA

Precast ... The Concrete Solution

SCALE

DN.BY

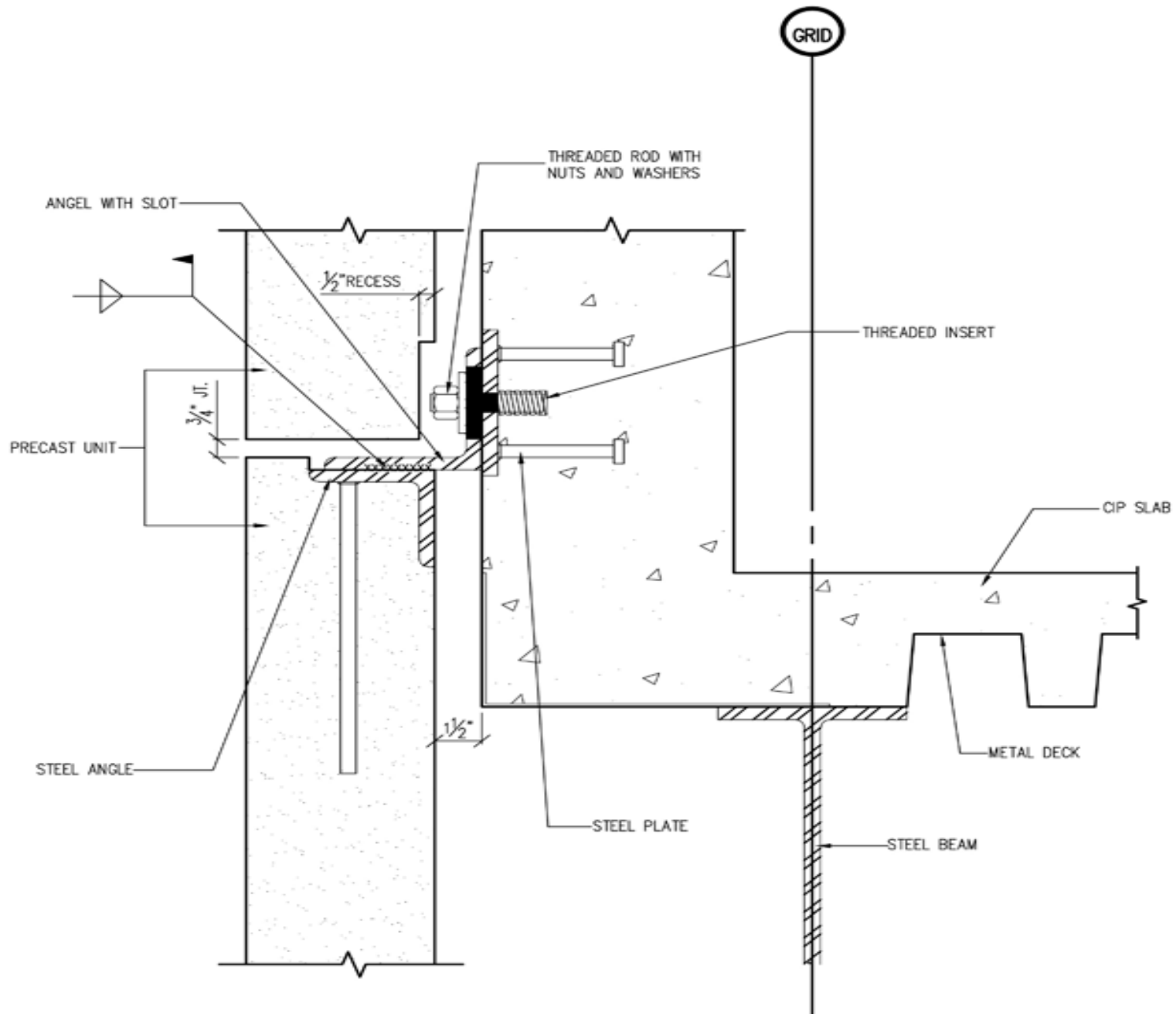
DATE

NTS

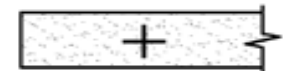
WCR

06/29/11

NOTE: PRECAST REINFORCING NOT SHOWN FOR CLARITY



CONNECTION DETAIL – FIXED TIE BACK



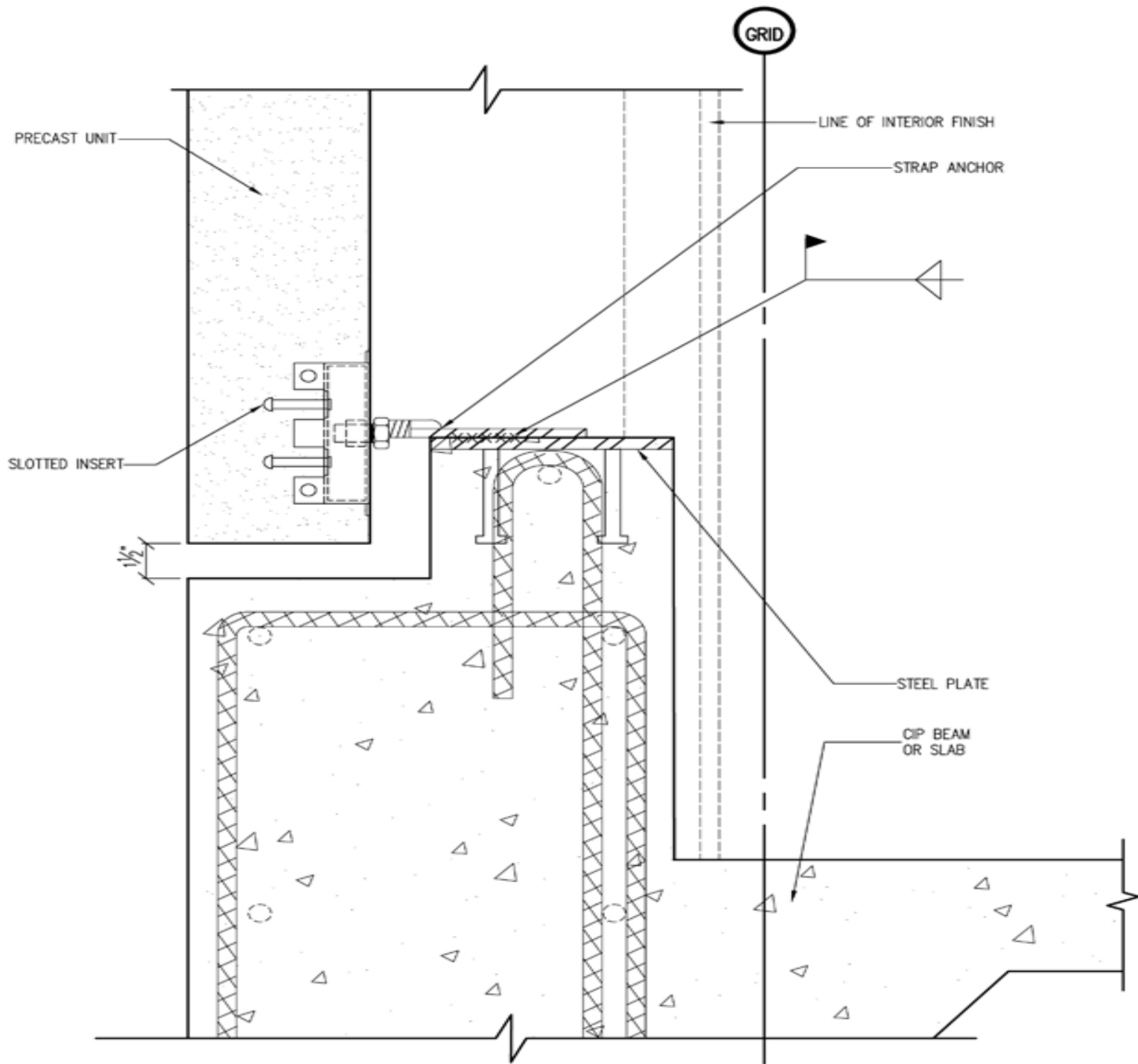
<http://precast.org>

S-4.12

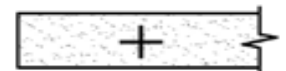


SCALE	DN.BY	DATE
NTS	WCR	06/29/11

NOTE: PRECAST REINFORCING NOT SHOWN FOR CLARITY



CONNECTION DETAIL – FIXED TIE BACK

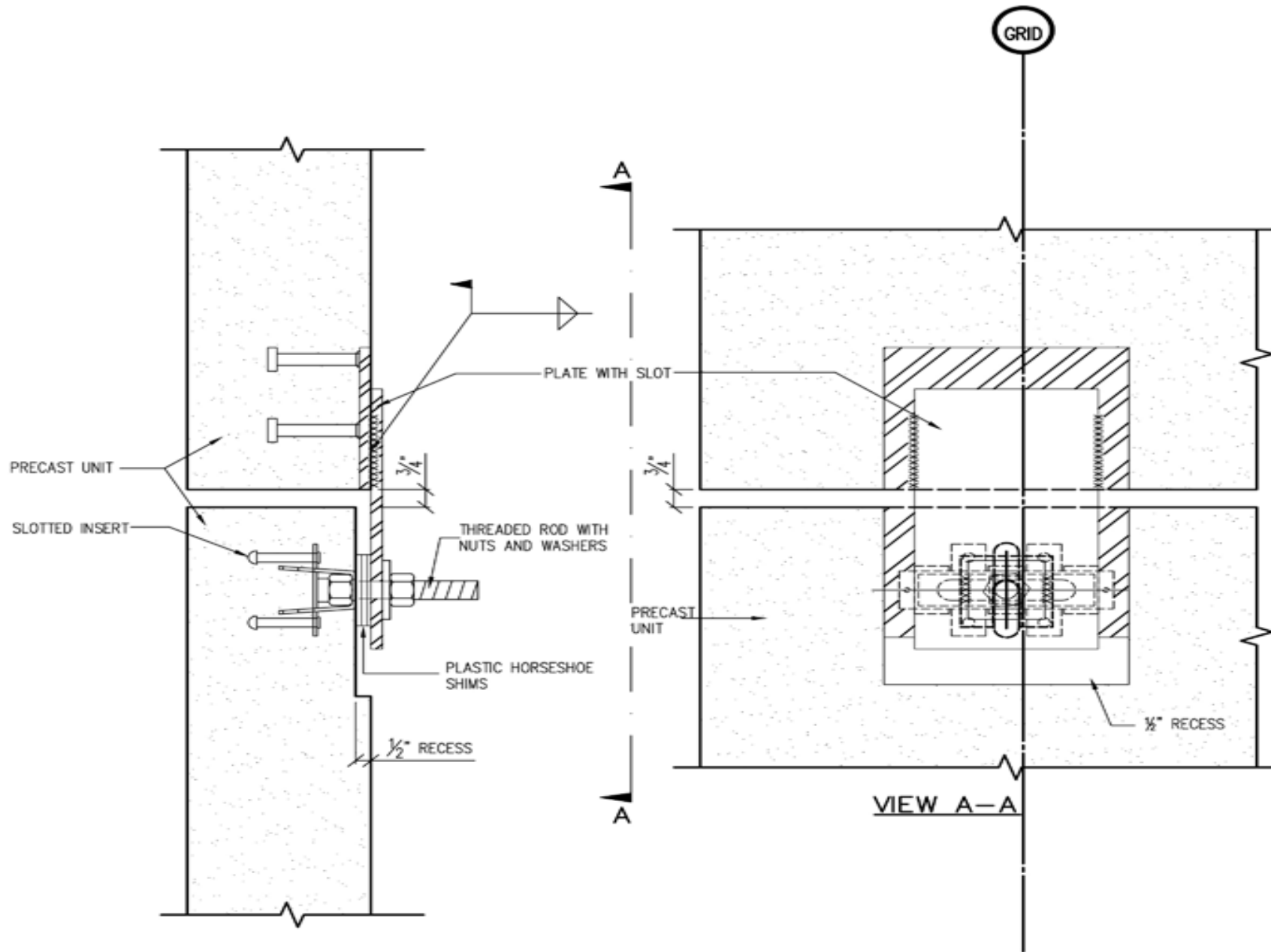


<http://precast.org>

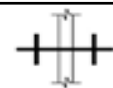
S-4.13

SCALE	DN.BY	DATE
NTS	WCR	06/29/11

NOTE: PRECAST REINFORCING NOT SHOWN FOR CLARITY



CONNECTION DETAIL – PANEL TO PANEL



S-5.1



NPCA

Precast ... The Concrete Solution

<http://precast.org>

SCALE

NTS

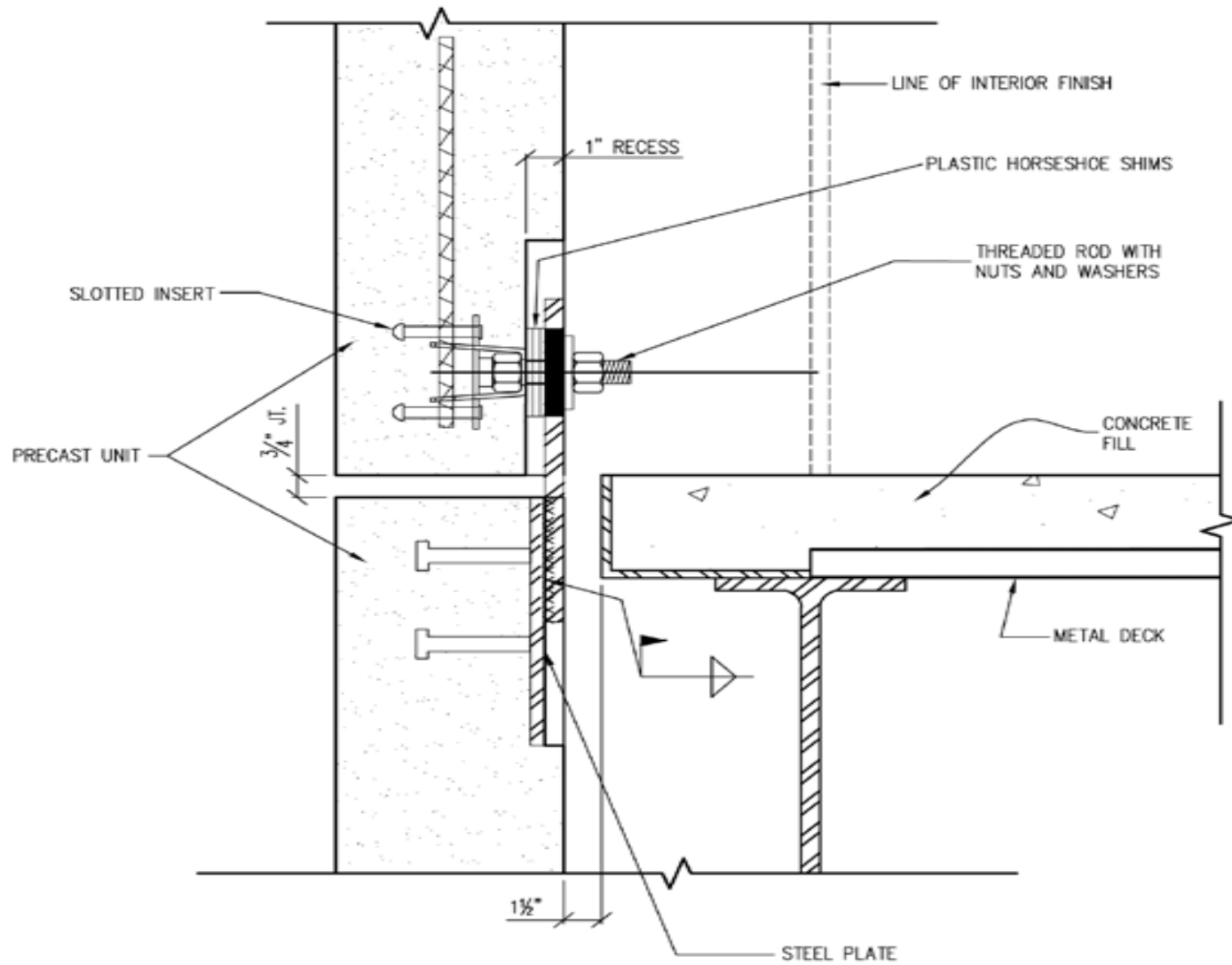
DN.BY

WCR

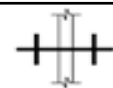
DATE

06/29/11

NOTE: PRECAST REINFORCING NOT SHOWN FOR CLARITY



CONNECTION DETAIL – PANEL TO PANEL



S-5.2

<http://precast.org>



NPCA

Precast ... The Concrete Solution

SCALE

NTS

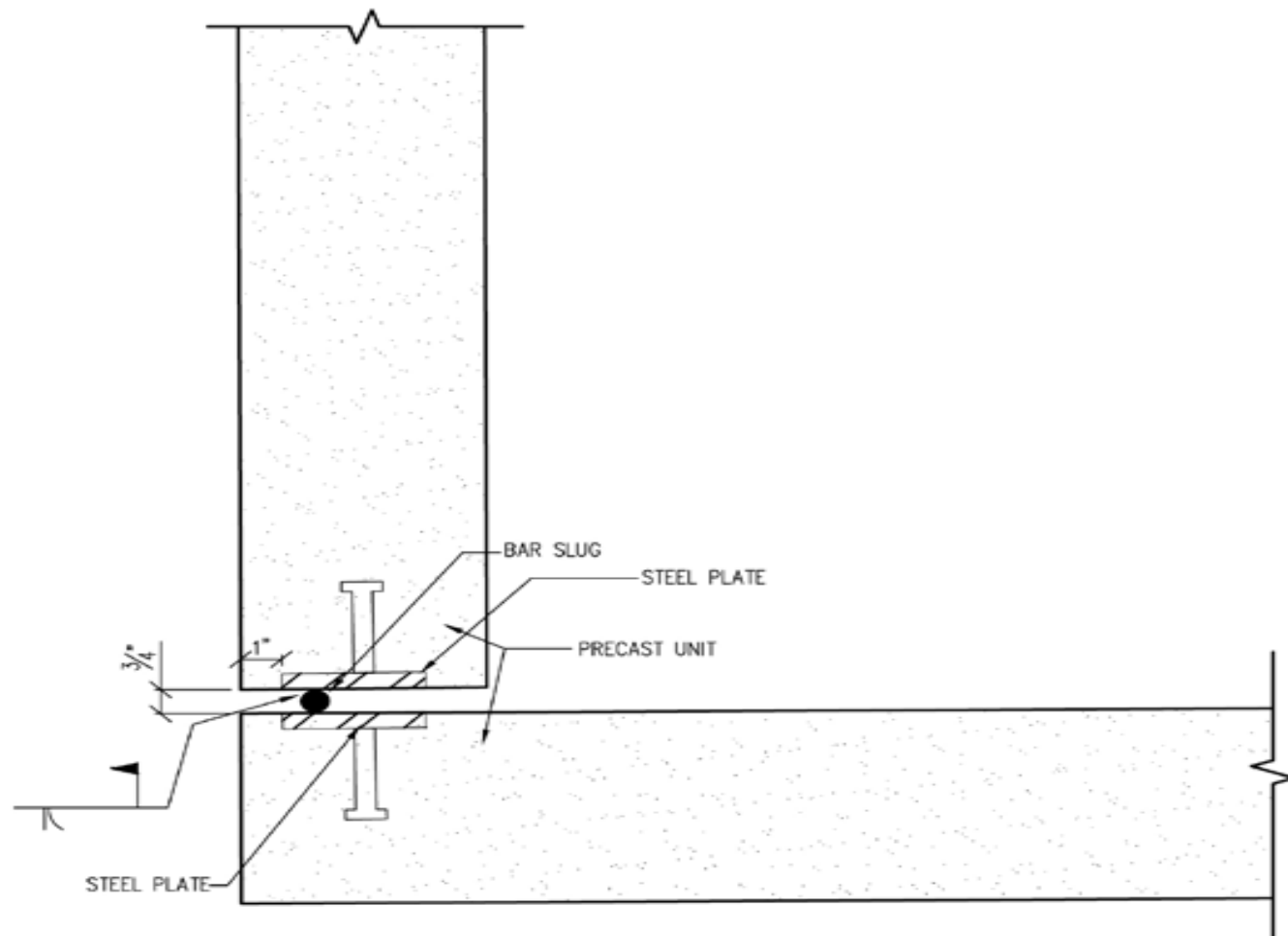
DN.BY

WCR

DATE

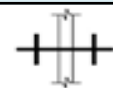
06/29/11

NOTE: PRECAST REINFORCING NOT SHOWN FOR CLARITY



PLAN VIEW

CONNECTION DETAIL – PANEL TO PANEL



S-5.3

<http://precast.org>



NPCA

Precast ... The Concrete Solution

SCALE

NTS

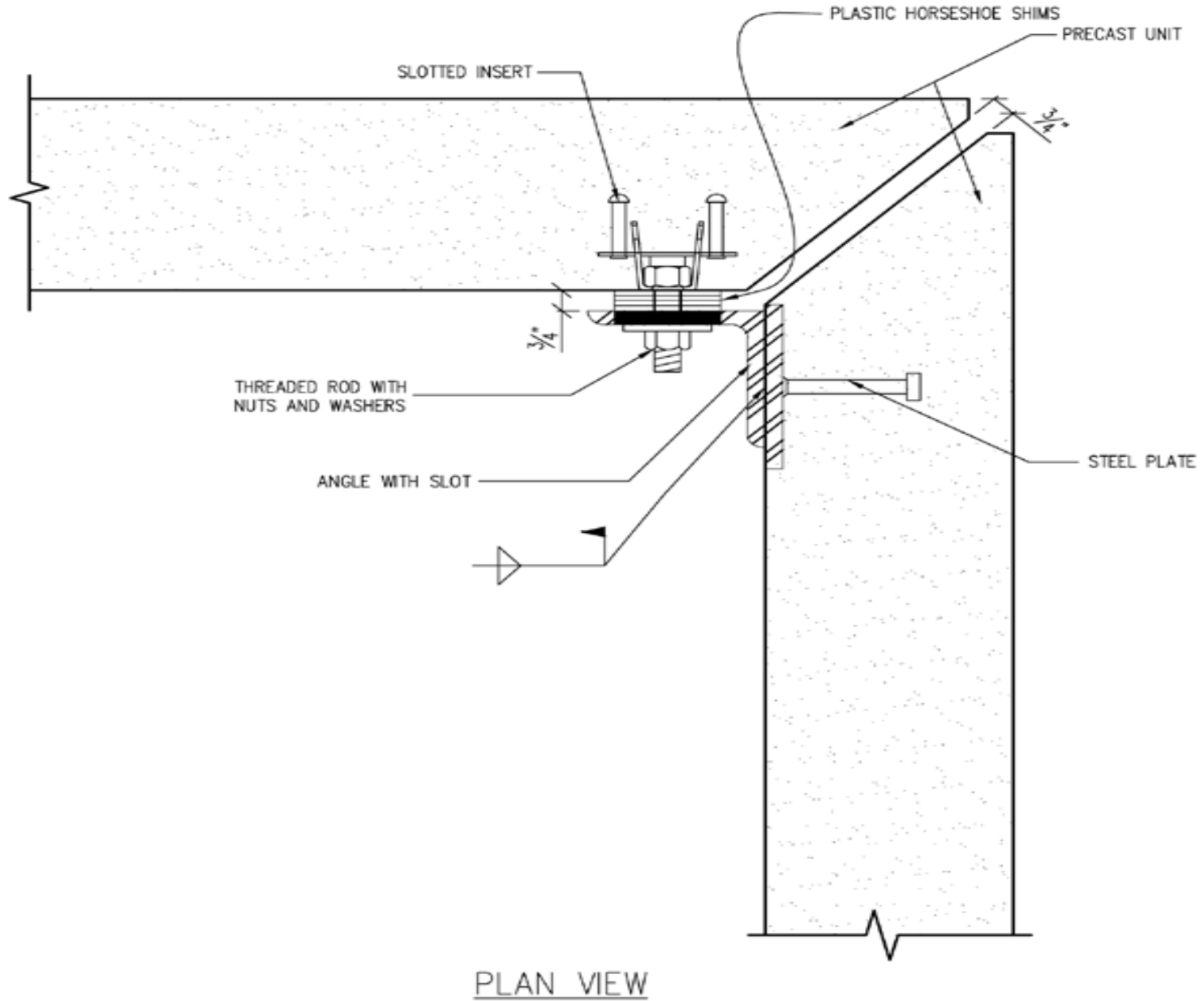
DN.BY

WCR

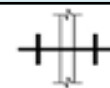
DATE

06/29/11

NOTE: PRECAST REINFORCING NOT SHOWN FOR CLARITY



CONNECTION DETAIL – PANEL TO PANEL



NPCA

Precast ... The Concrete Solution

<http://precast.org>

S-5.4

SCALE

DN.BY

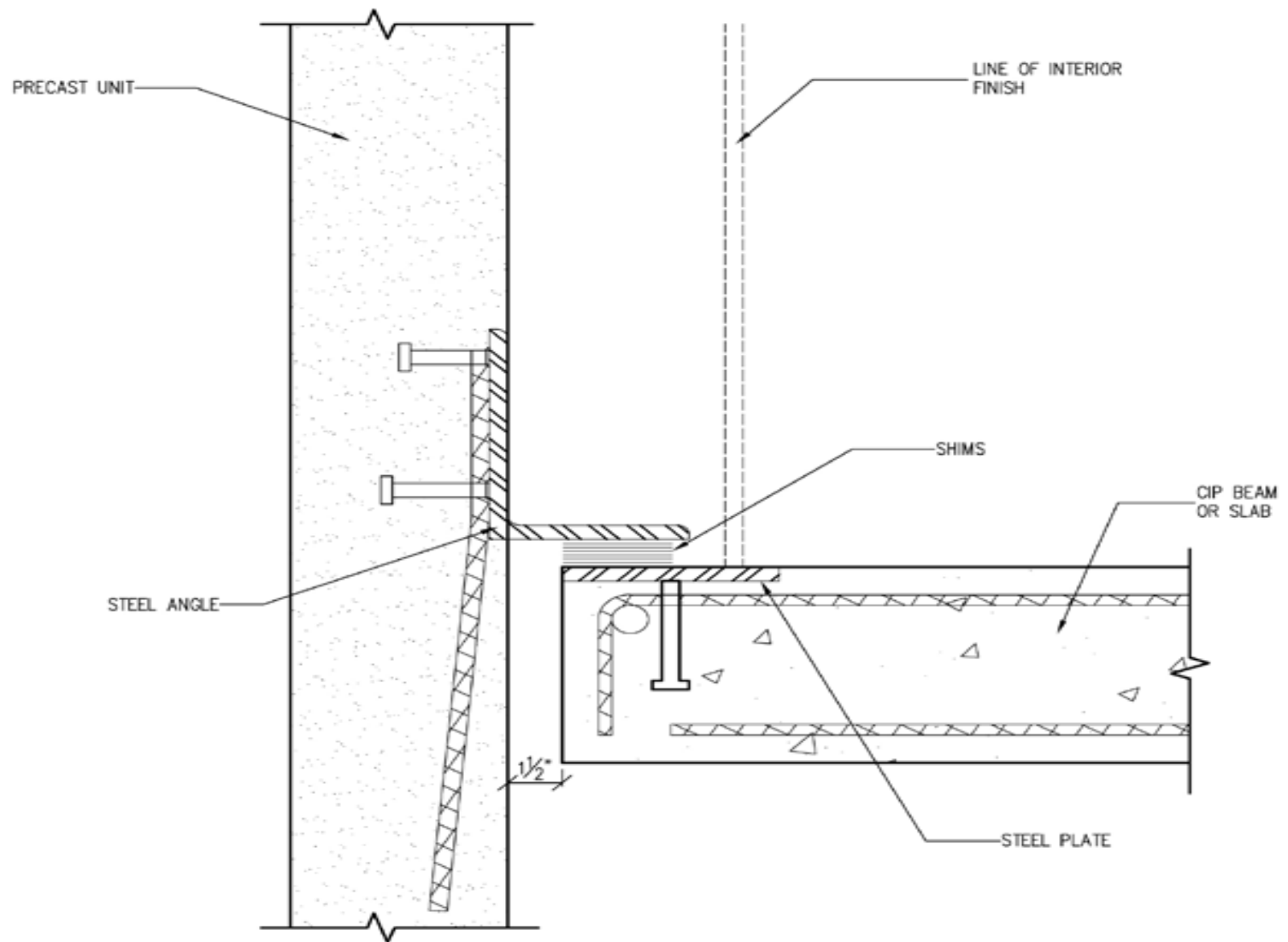
DATE

NTS

WCR

06/29/11

NOTE: PRECAST REINFORCING NOT SHOWN FOR CLARITY



CONNECTION DETAIL – GRAVITY



NPCA

Precast ... The Concrete Solution

<http://precast.org>

S-6.1

SCALE

NTS

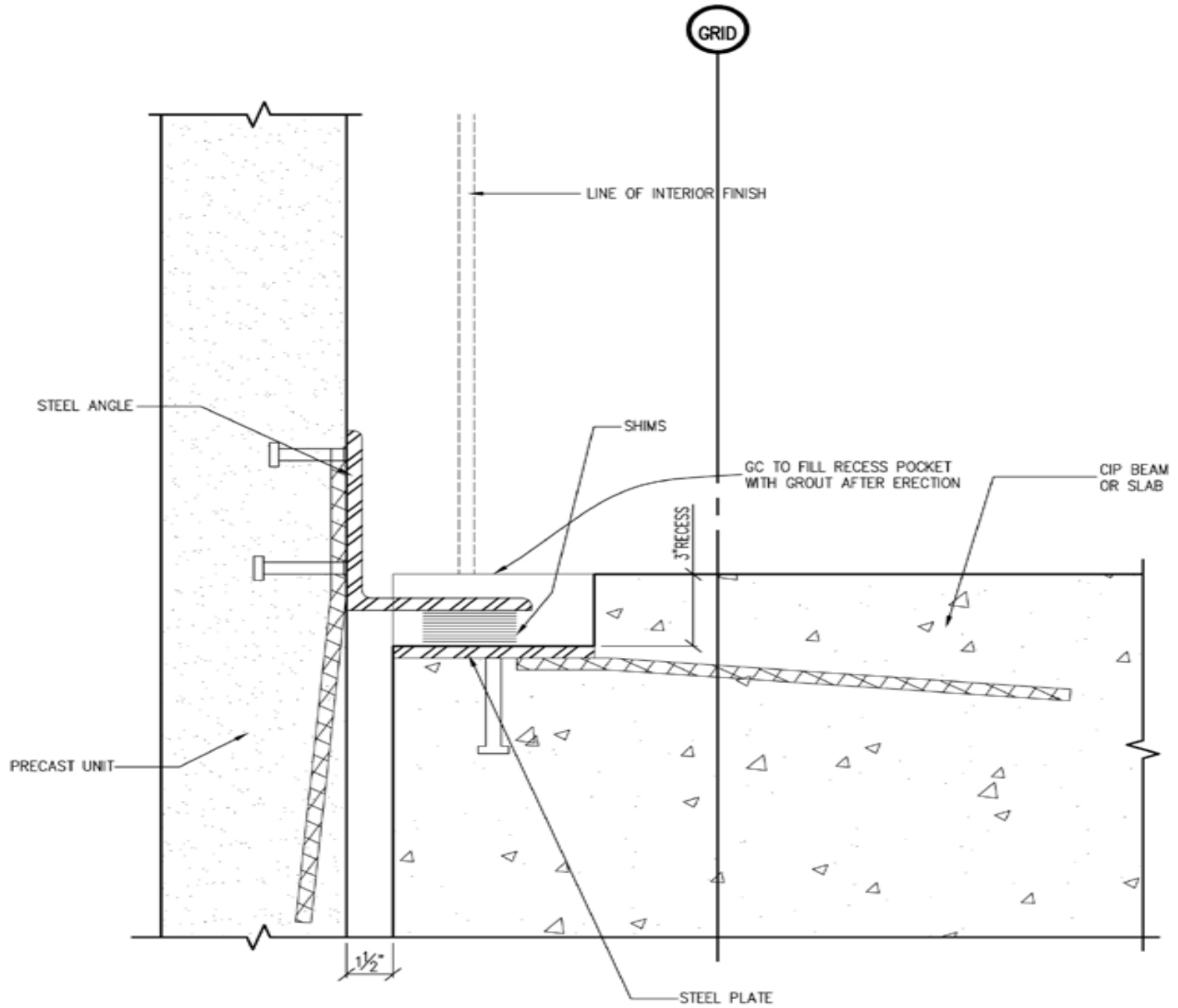
DN.BY

WCR

DATE

06/29/11

NOTE: PRECAST REINFORCING NOT SHOWN FOR CLARITY



CONNECTION DETAIL – GRAVITY

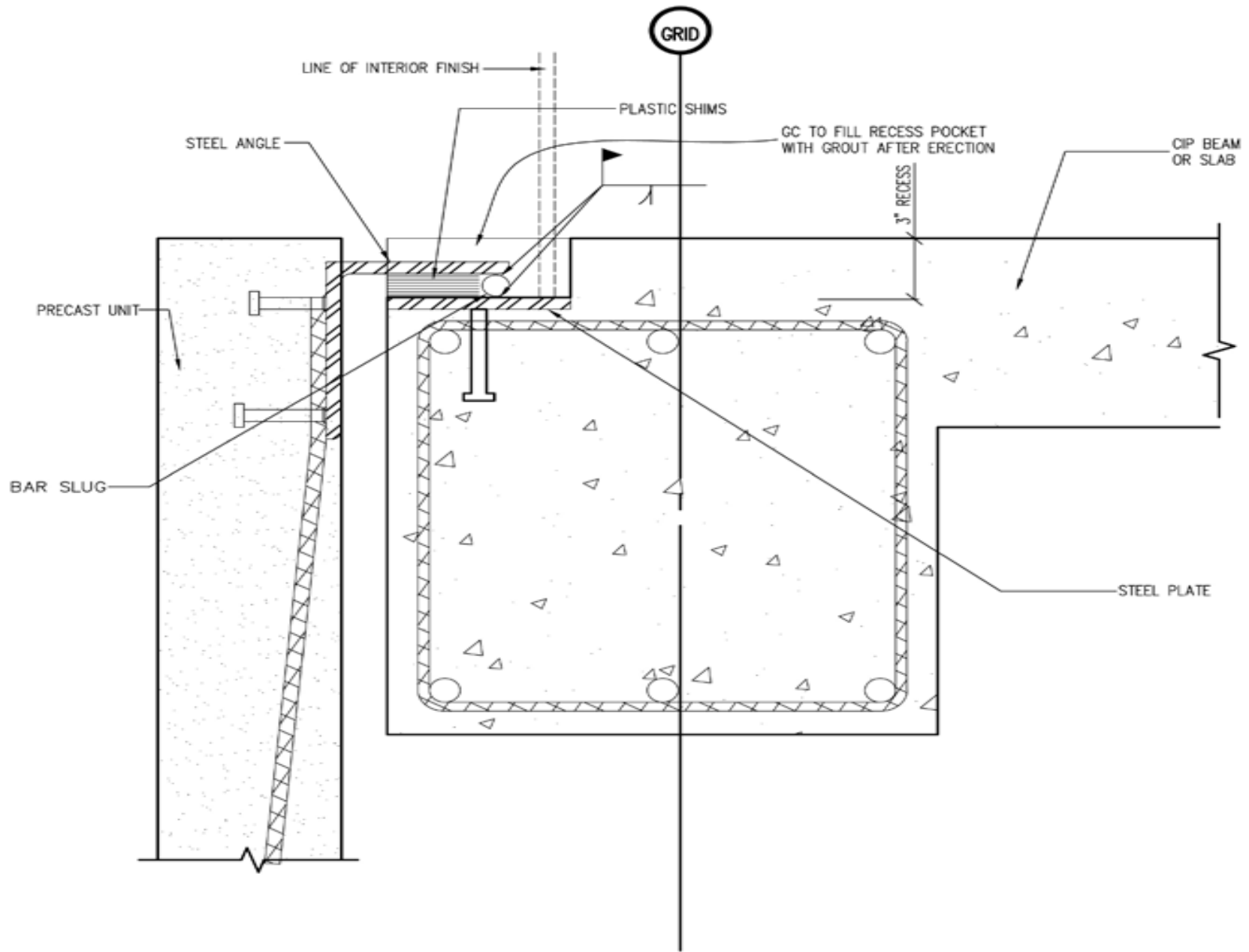


<http://precast.org>

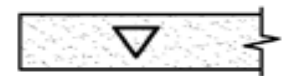
S-6.2

SCALE	DN.BY	DATE
NTS	WCR	06/29/11

NOTE: PRECAST REINFORCING NOT SHOWN FOR CLARITY



CONNECTION DETAIL – GRAVITY

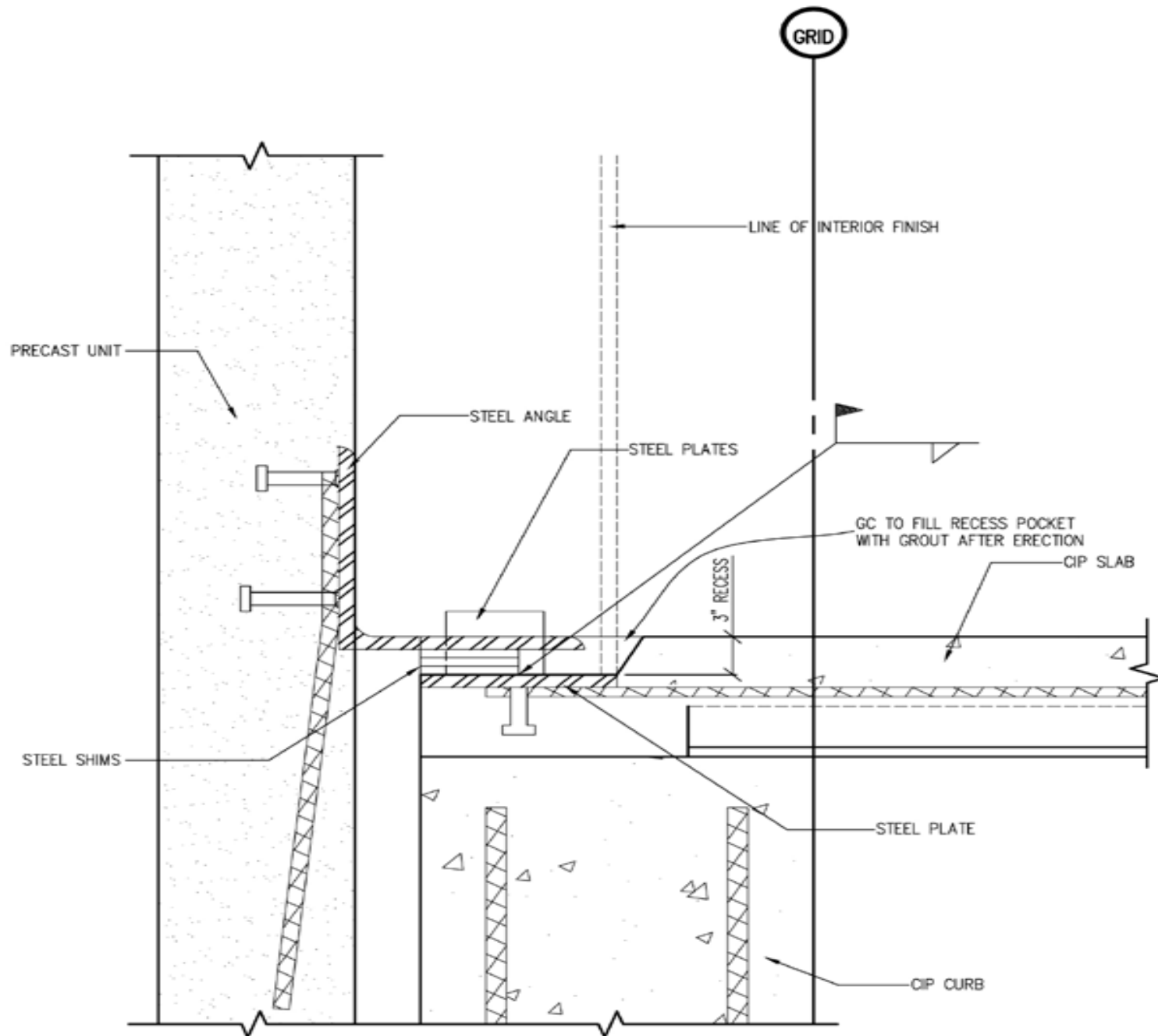


<http://precast.org>

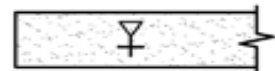
S-6.3

SCALE	DN.BY	DATE
NTS	WCR	06/29/11

NOTE: PRECAST REINFORCING NOT SHOWN FOR CLARITY



CONNECTION DETAIL – GRAVITY + TIE BACK



<http://precast.org>

S-6.4



NPCA

Precast ... The Concrete Solution

SCALE

NTS

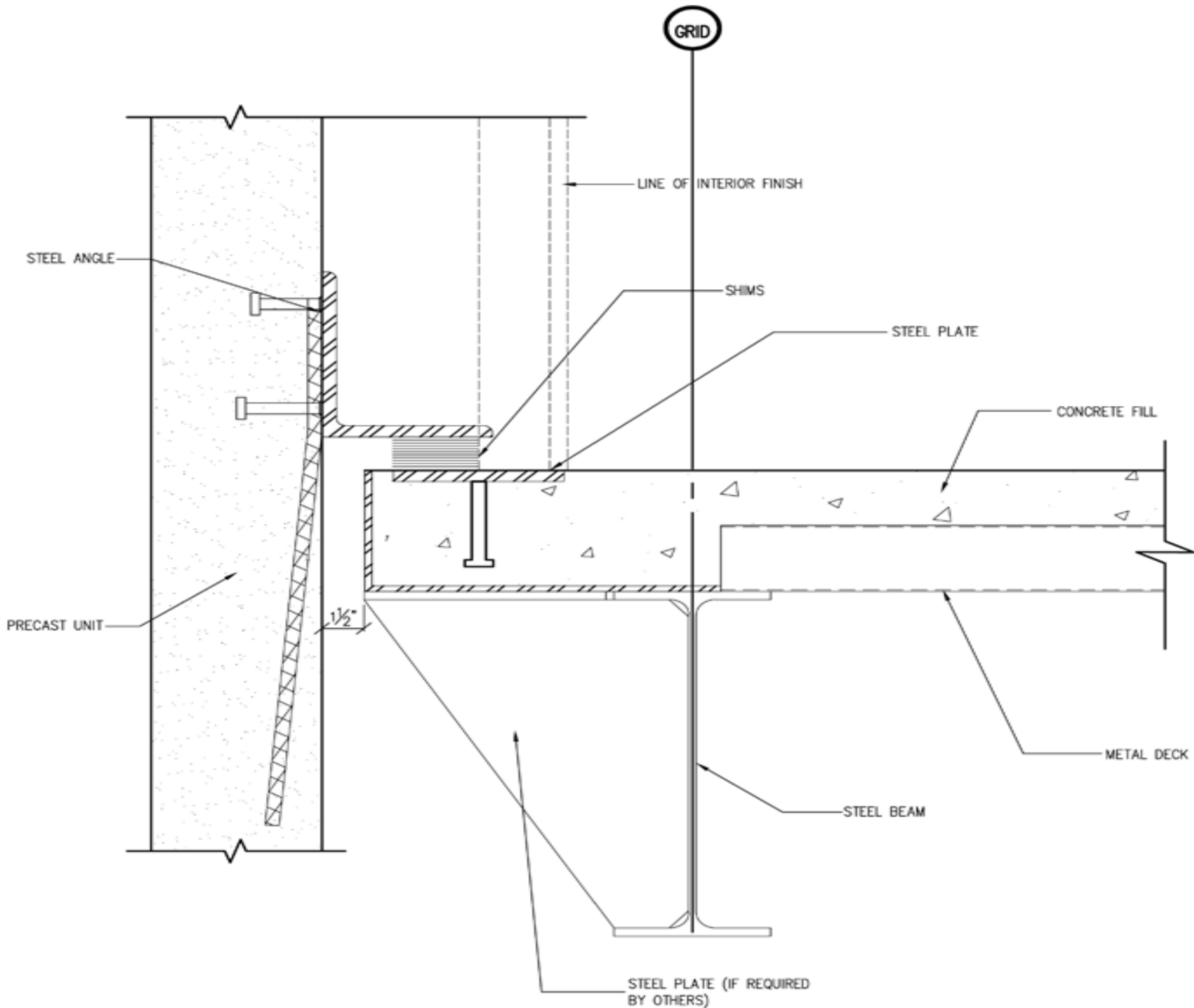
DN.BY

WCR

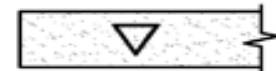
DATE

06/29/11

NOTE: PRECAST REINFORCING NOT SHOWN FOR CLARITY



CONNECTION DETAIL – BEARING CONNECTION

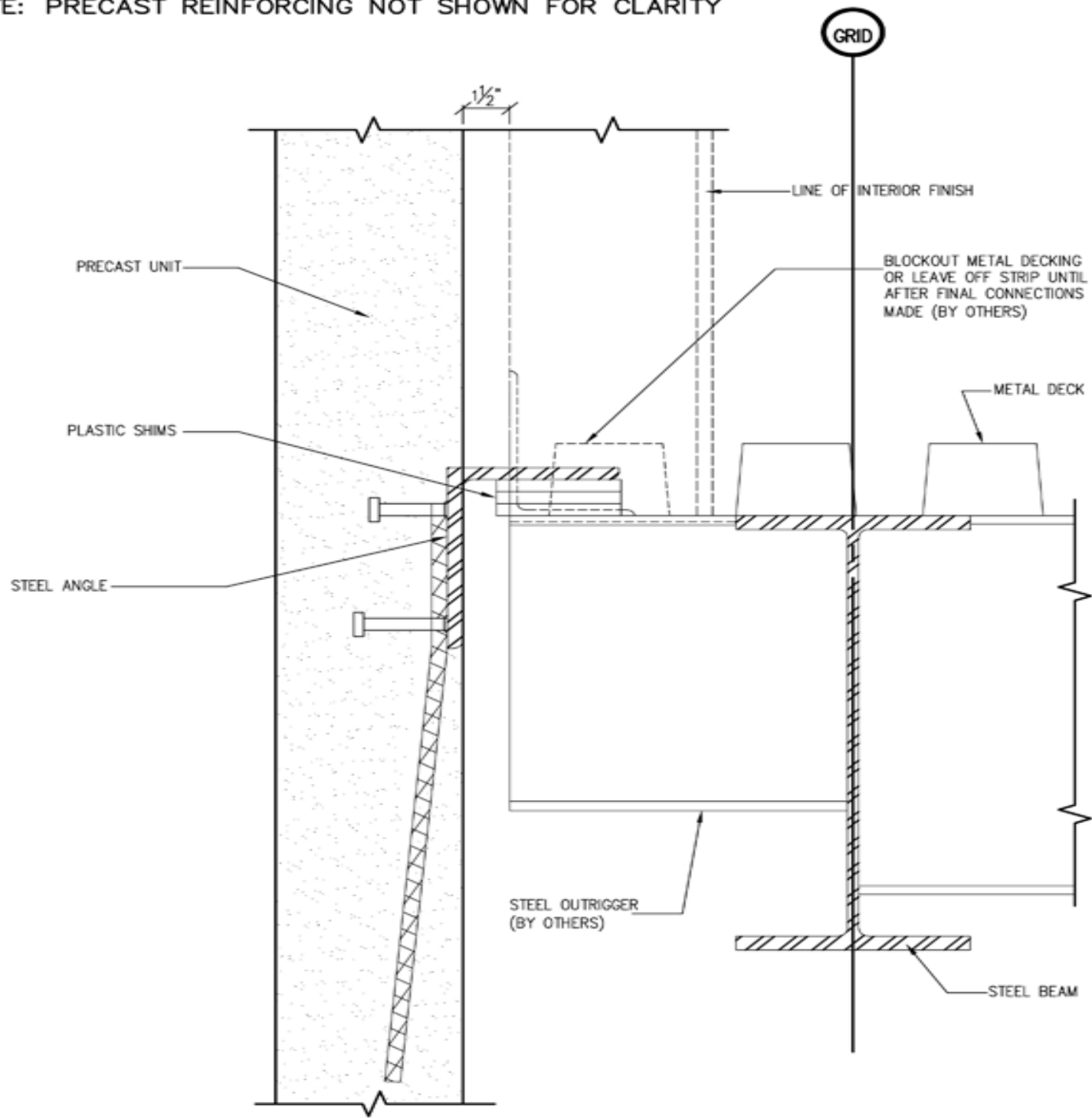


<http://precast.org>

S-6.5

SCALE	DN.BY	DATE
NTS	WCR	06/29/11

NOTE: PRECAST REINFORCING NOT SHOWN FOR CLARITY



CONNECTION DETAIL – GRAVITY



<http://precast.org>

S-6.6



NPCA

Precast ... The Concrete Solution

SCALE

NTS

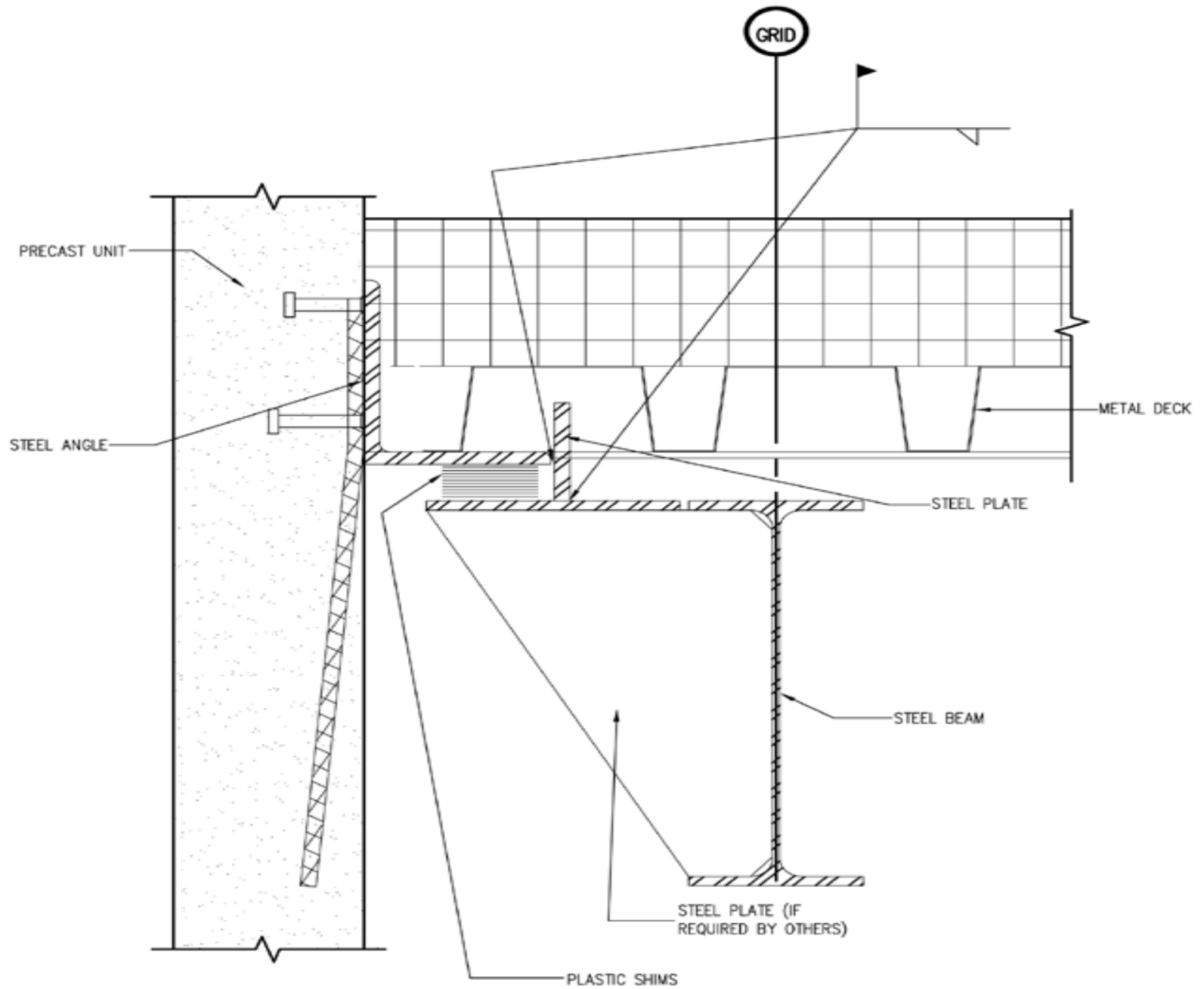
DN.BY

WCR

DATE

06/29/11

NOTE: PRECAST REINFORCING NOT SHOWN FOR CLARITY



CONNECTION DETAIL – GRAVITY



<http://precast.org>

S-6.7



NPCA

Precast ... The Concrete Solution

SCALE

NTS

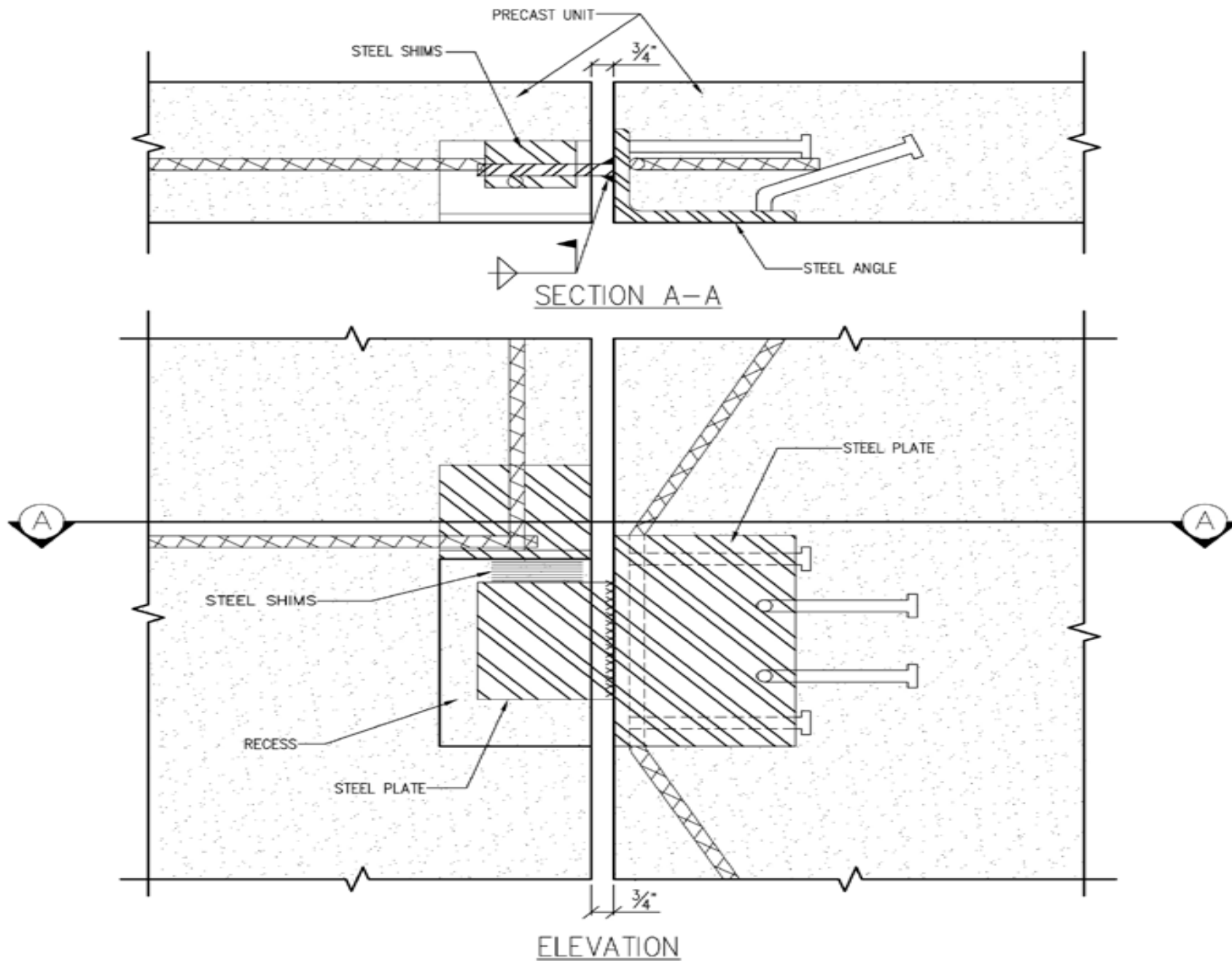
DN.BY

WCR

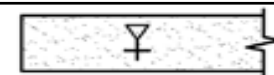
DATE

06/29/11

NOTE: PRECAST REINFORCING NOT SHOWN FOR CLARITY



CONNECTION DETAIL – PANEL-TO-PANEL + GRAVITY

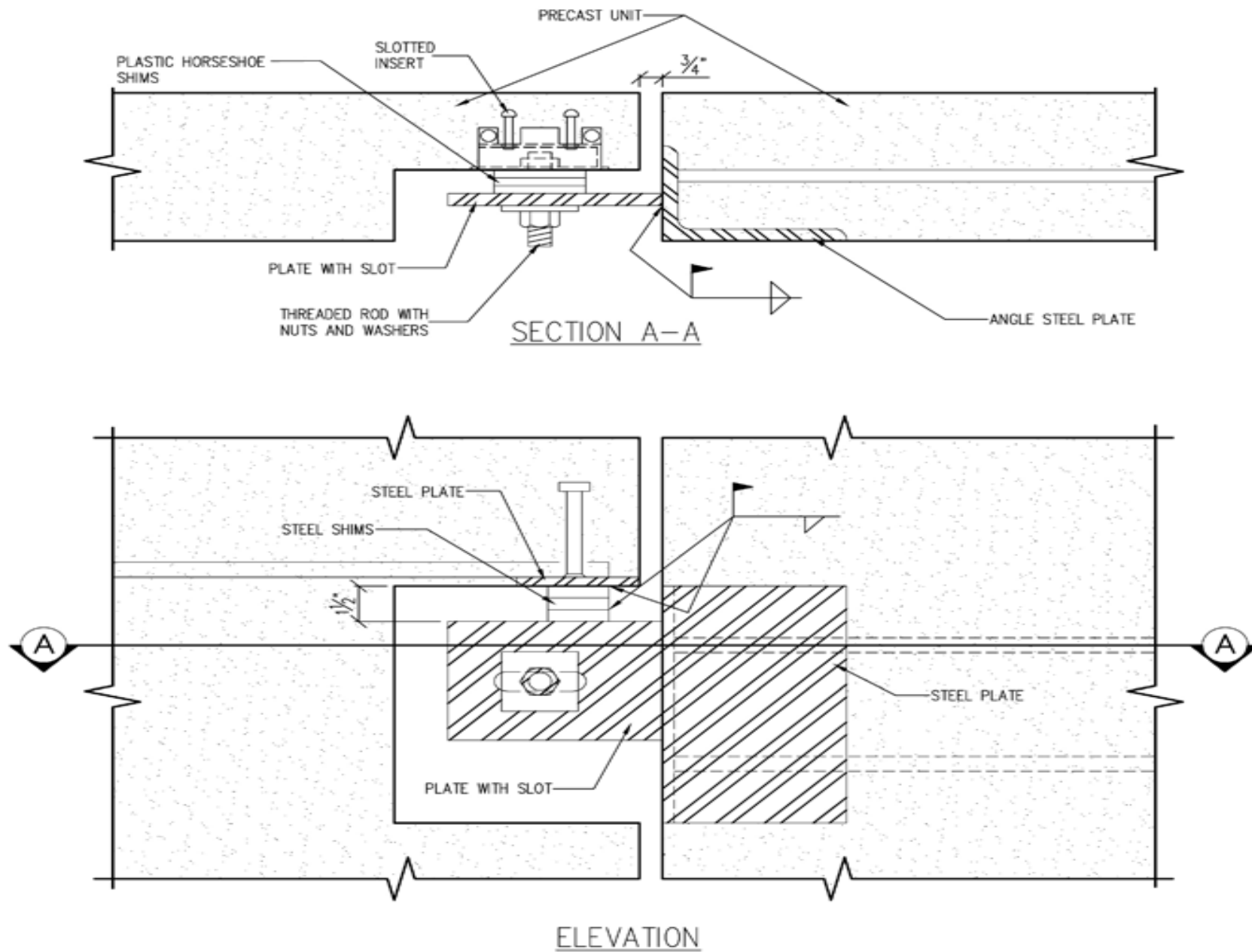


<http://precast.org>

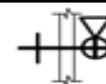
S-6.8

SCALE	DN.BY	DATE
NTS	WCR	06/29/11

NOTE: PRECAST REINFORCING NOT SHOWN FOR CLARITY



CONNECTION DETAIL – GRAVITY PLUS ADJ. TIE BACK



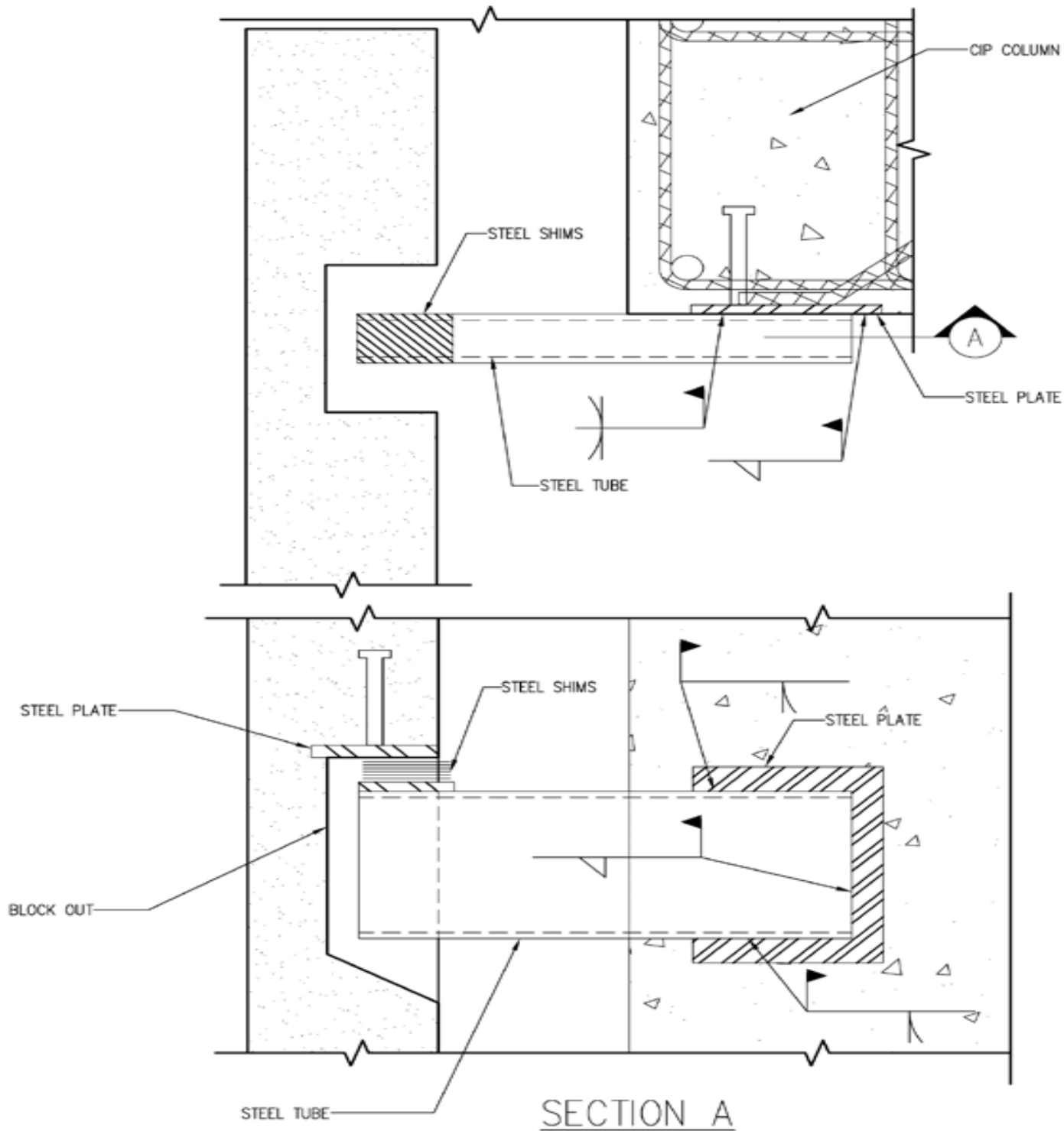
<http://precast.org>

S-6.4



SCALE	DN.BY	DATE
NTS	WCR	06/29/11

NOTE: PRECAST REINFORCING NOT SHOWN FOR CLARITY



CONNECTION DETAIL – GRAVITY

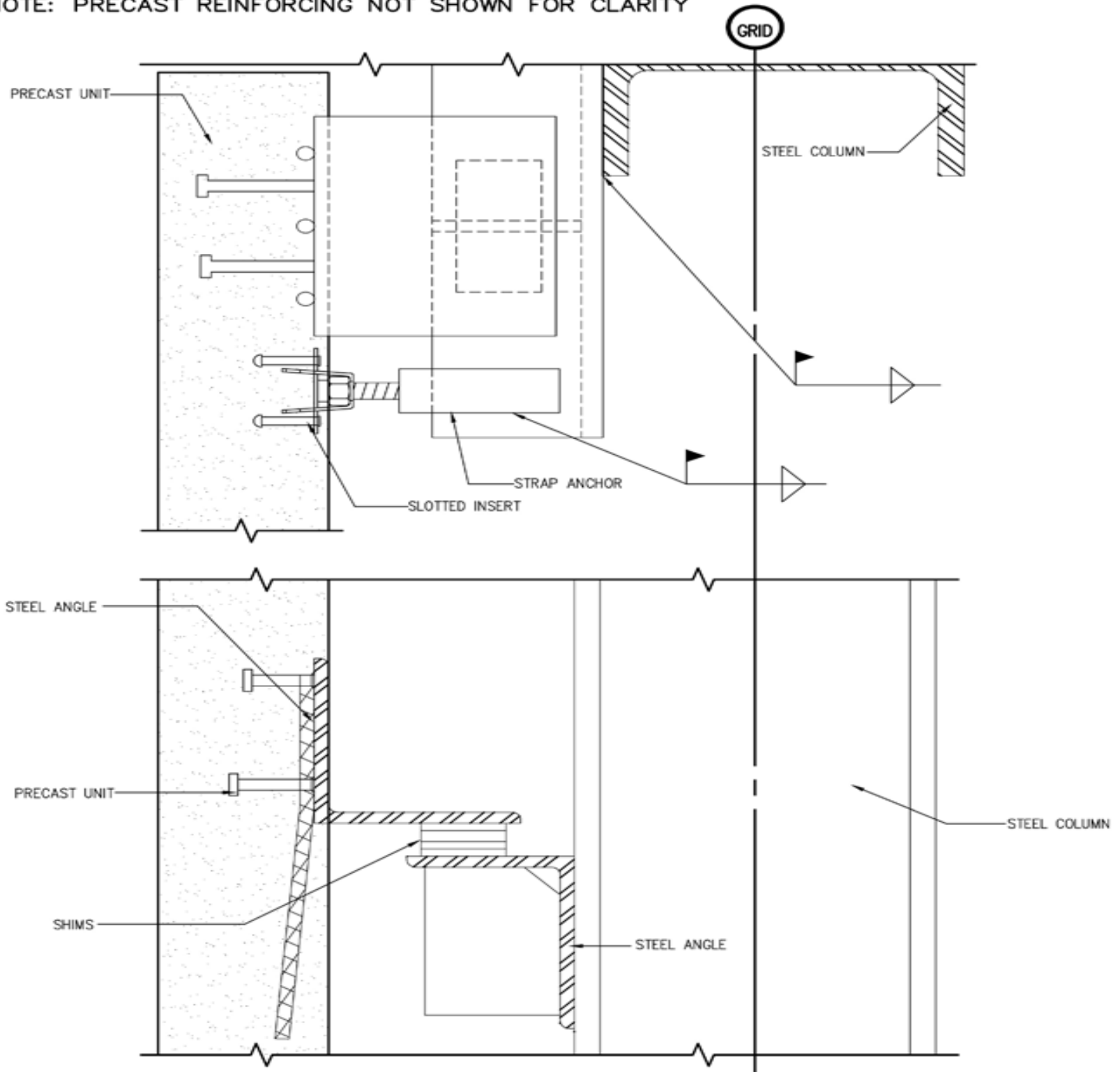


<http://precast.org>

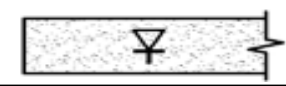
S-6.10

SCALE	DN.BY	DATE
NTS	WCR	06/29/11

NOTE: PRECAST REINFORCING NOT SHOWN FOR CLARITY



CONNECTION DETAIL – GRAVITY PLUS FIXEDTIE BACK

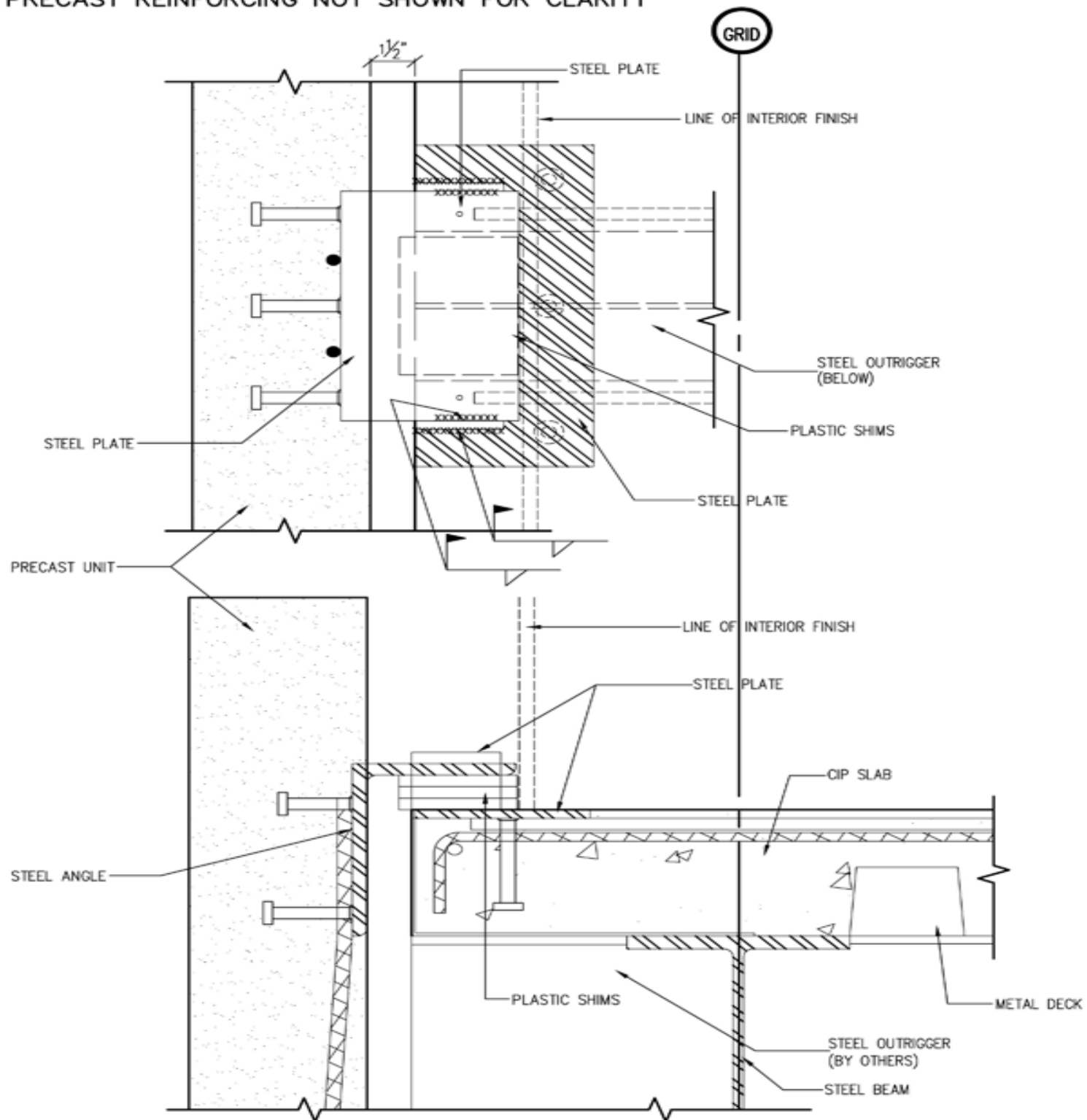


<http://precast.org>

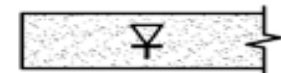
S-6.11

SCALE	DN.BY	DATE
NTS	WCR	06/29/11

NOTE: PRECAST REINFORCING NOT SHOWN FOR CLARITY



CONNECTION DETAIL – GRAVITY PLUS FIXED TIE BACK



<http://precast.org>

S-6.12



NPCA

Precast ... The Concrete Solution

SCALE

NTS

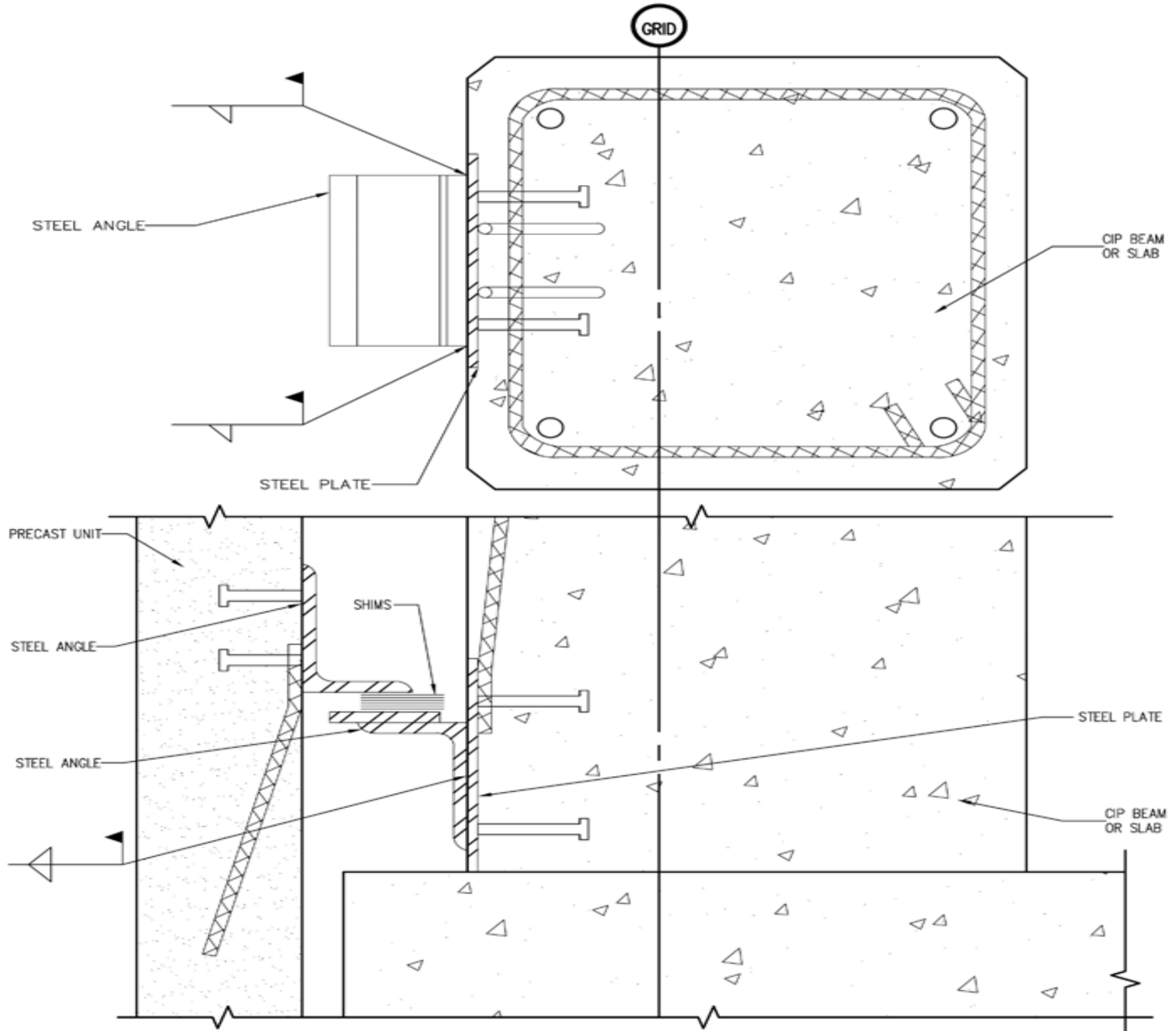
DN.BY

WCR

DATE

06/29/11

NOTE: PRECAST REINFORCING NOT SHOWN FOR CLARITY



CONNECTION DETAIL – GRAVITY



<http://precast.org>

S-6.13



NPCA

Precast ... The Concrete Solution

SCALE

NTS

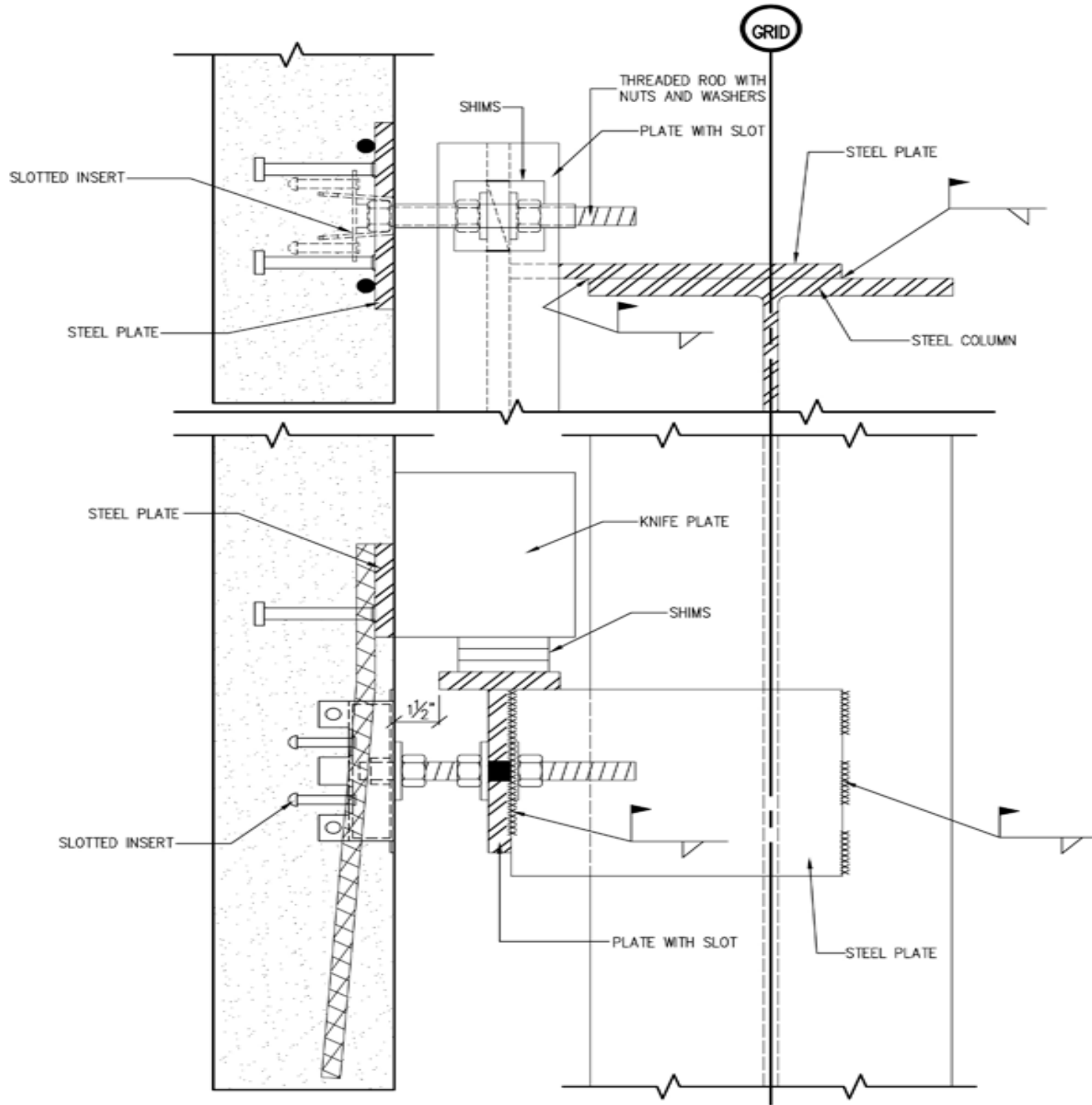
DN.BY

WCR

DATE

06/29/11

NOTE: PRECAST REINFORCING NOT SHOWN FOR CLARITY



CONNECTION DETAIL – BEARING PLUS Adj. TIE BACK

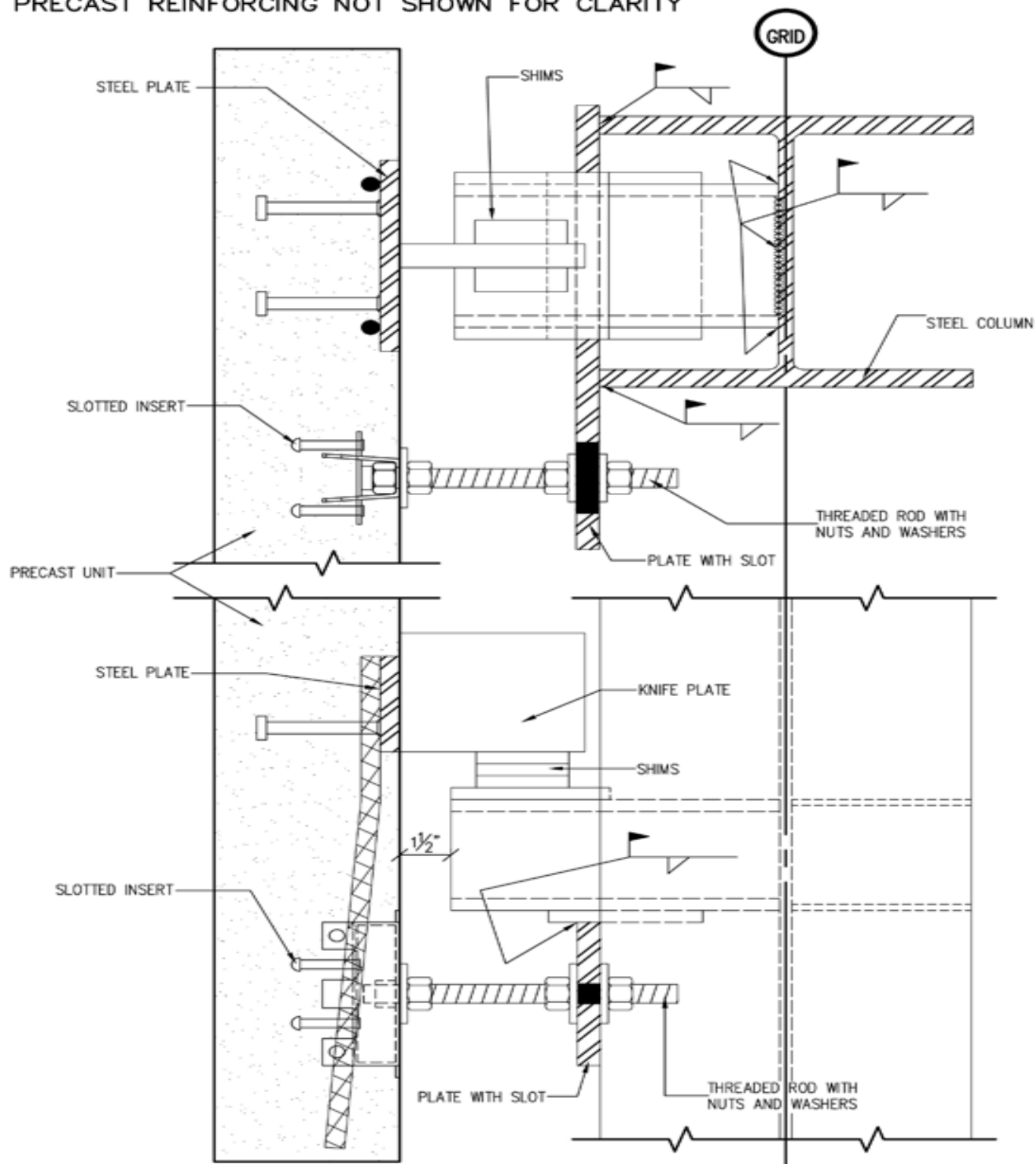


<http://precast.org>

S-6.14

SCALE	DN.BY	DATE
NTS	WCR	06/29/11

NOTE: PRECAST REINFORCING NOT SHOWN FOR CLARITY



CONNECTION DETAIL – BEARING PLUS ADJ. TIE BACK

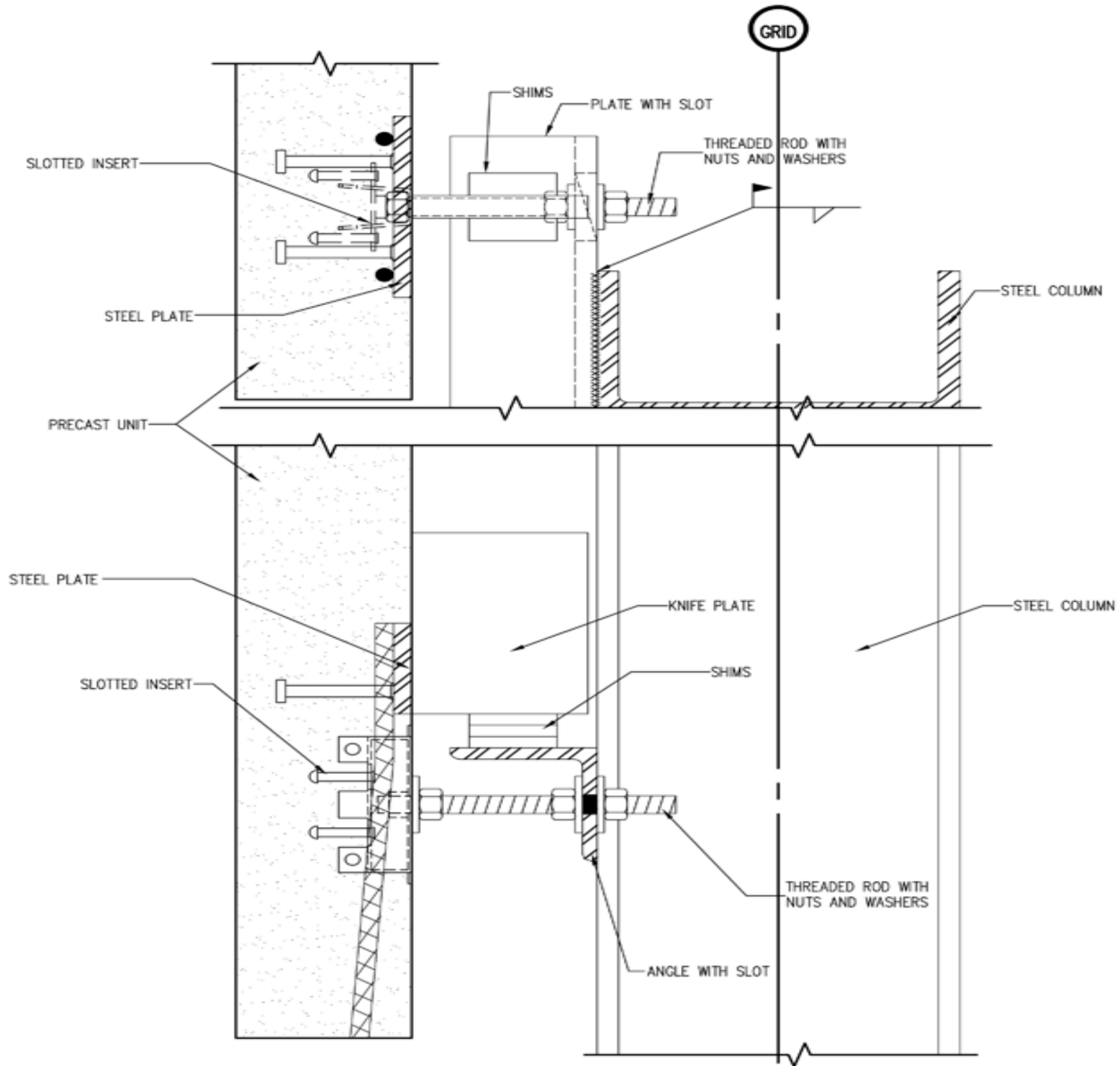


<http://precast.org>

S-6.15

SCALE	DN.BY	DATE
NTS	WCR	06/29/11

NOTE: PRECAST REINFORCING NOT SHOWN FOR CLARITY



CONNECTION DETAIL – BEARING PLUS Adj. TIE BACK

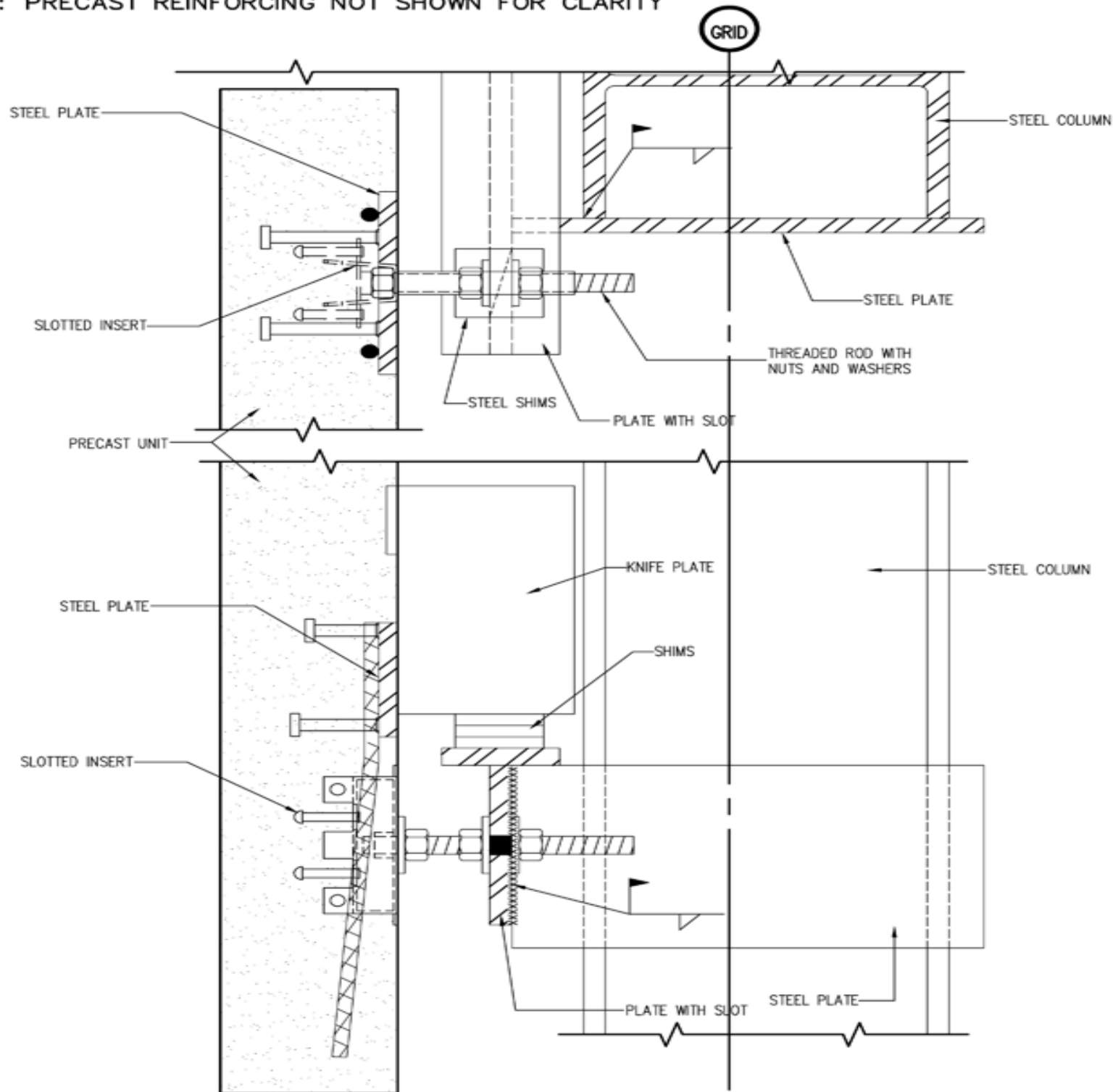


<http://precast.org>

S-6.16

SCALE	DN.BY	DATE
NTS	WCR	06/29/11

NOTE: PRECAST REINFORCING NOT SHOWN FOR CLARITY



CONNECTION DETAIL – BEARING PLUS Adj. TIE BACK



<http://precast.org>

S-6.17



SCALE	DN.BY	DATE
NTS	WCR	06/29/11