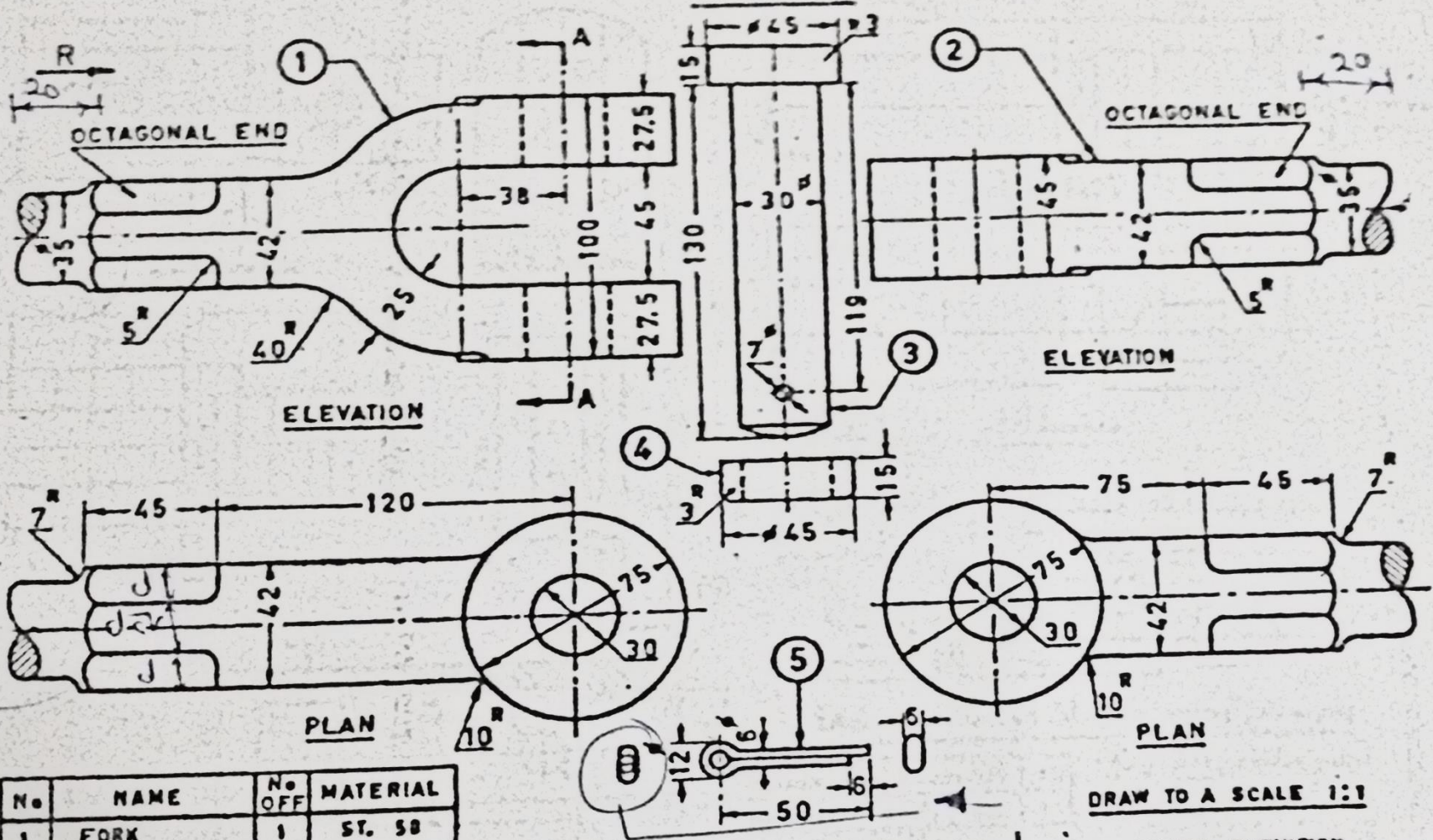


الرسم التجميعي

Knuckle Joint



KNUCKLE JOINT

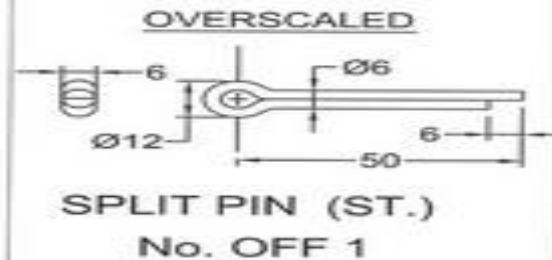
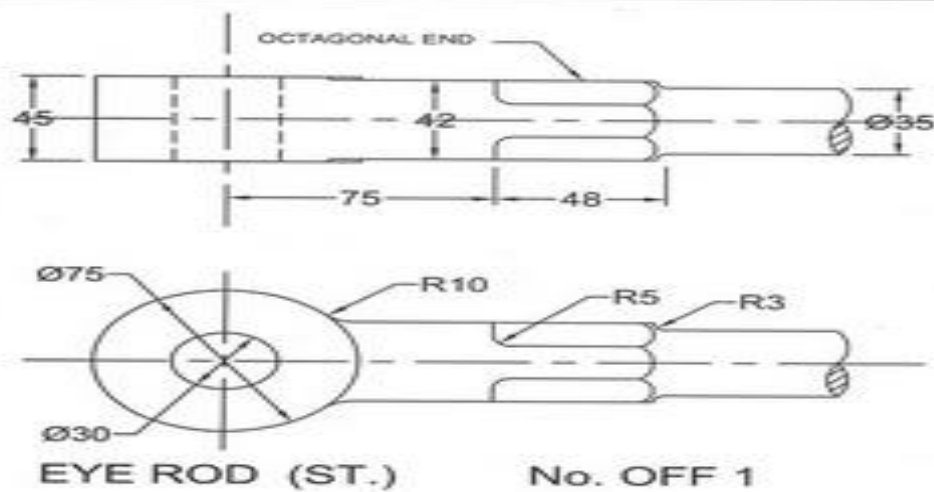
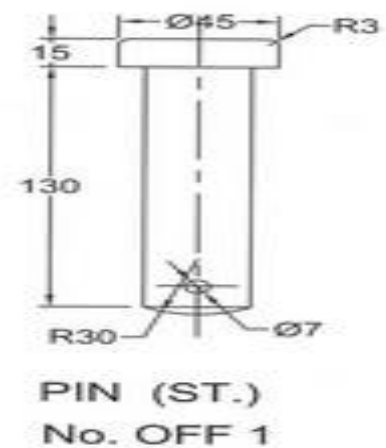
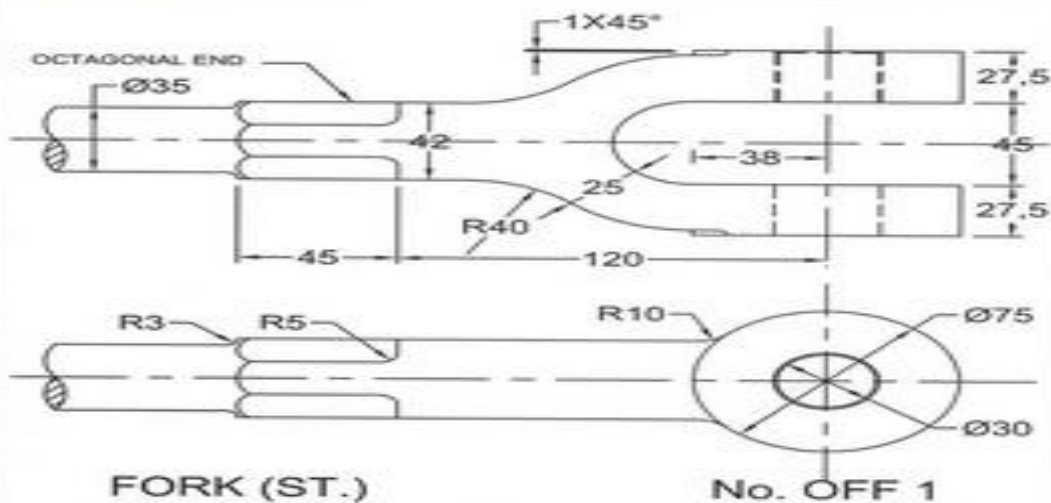
DIMS. IN MMS.

No.	NAME	No OFF	MATERIAL
1	FORK	1	ST. 58
2	EYE ROD	1	ST. 50
3	PIN	1	ST. 42
4	WASHER	1	ST. 37
5	SPLIT PIN	1	ST. 37

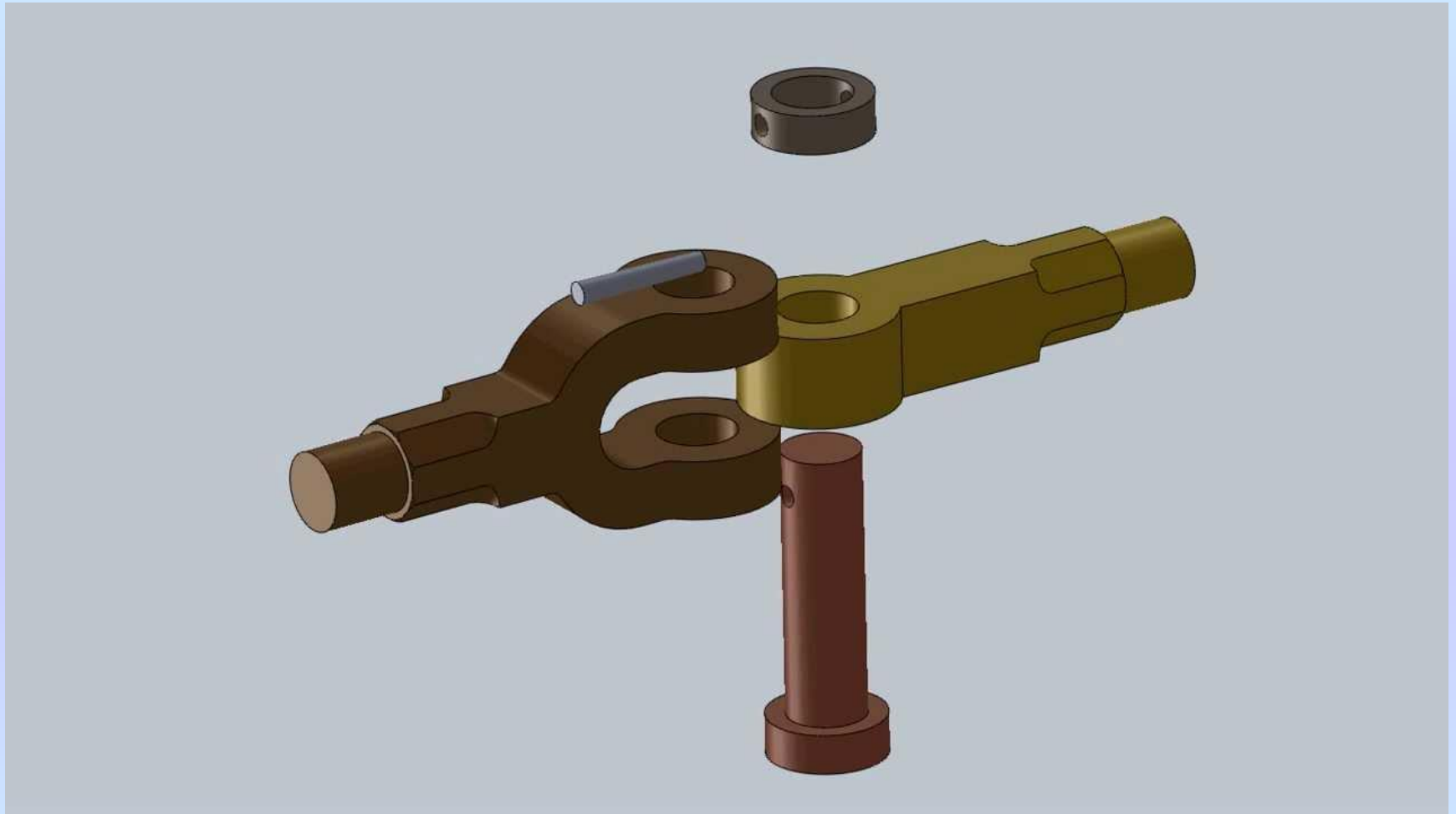
DRAW TO A SCALE 1:1

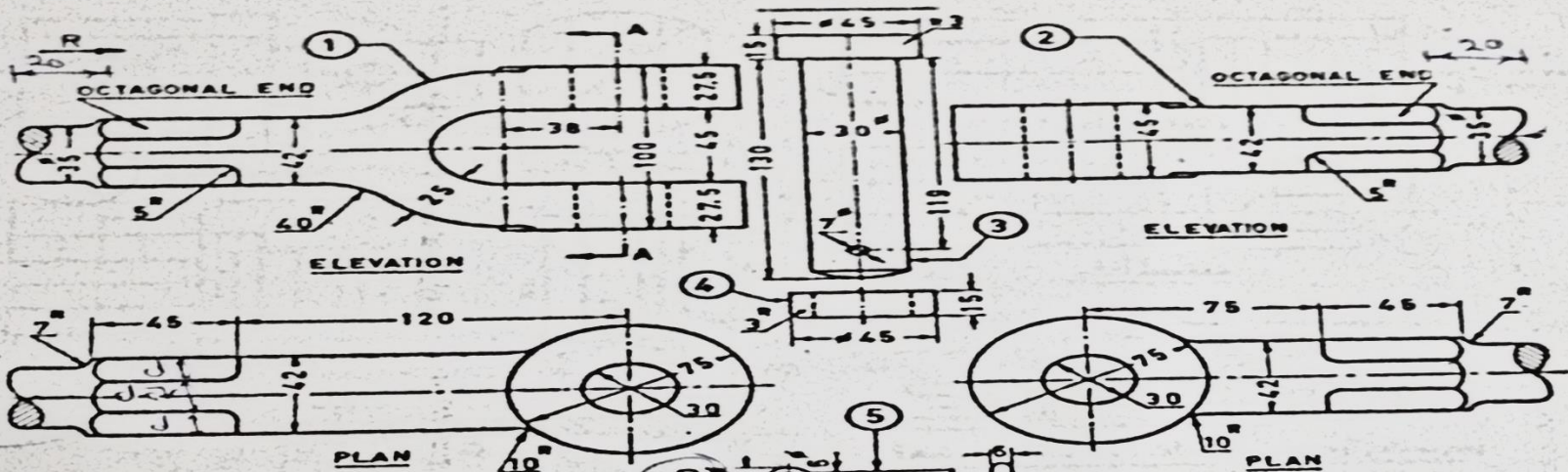
1. SECTIONAL ELEVATION
2. PLAN
3. SIDE VIEW IN DIRECTION OF R
4. SECTIONAL SIDE VIEW AT A-A

Knuckle Joint



Knuckle Joint

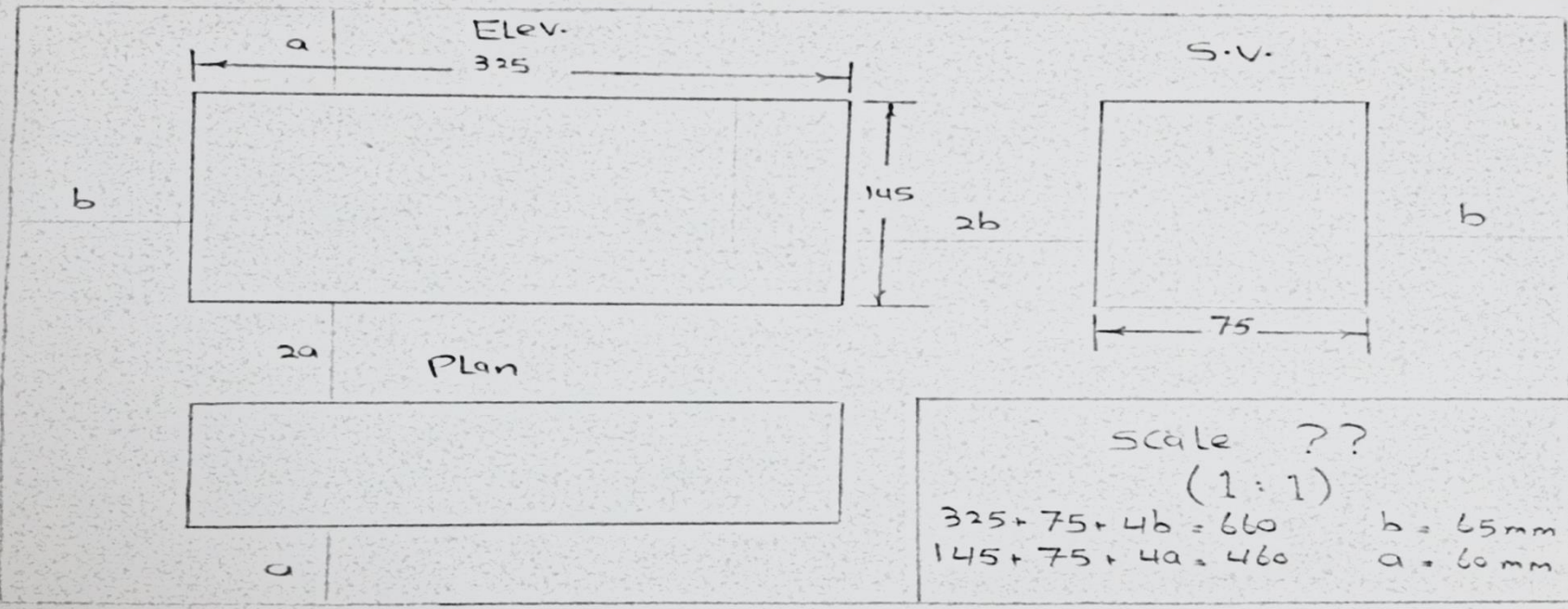




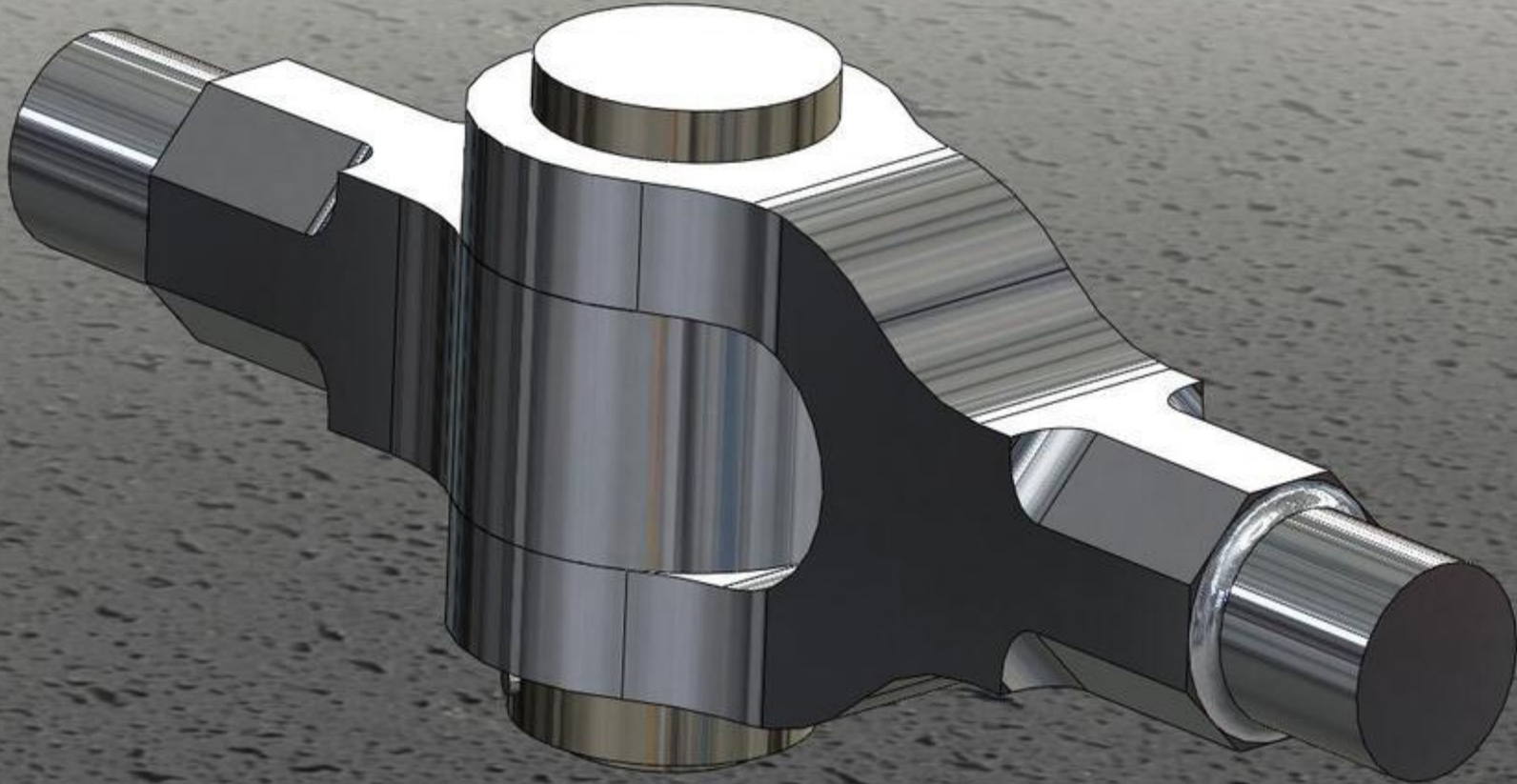
No.	NAME	No. OFF.	MATERIAL
1	FORK	1	ST. 58
2	EYE ROD	1	ST. 50
3	PIN	1	ST. 42
4	WASHER	1	ST. 37
5	SPLIT PIN	1	ST. 37

KNUCKLE JOINT
DIMS. IN MMS.

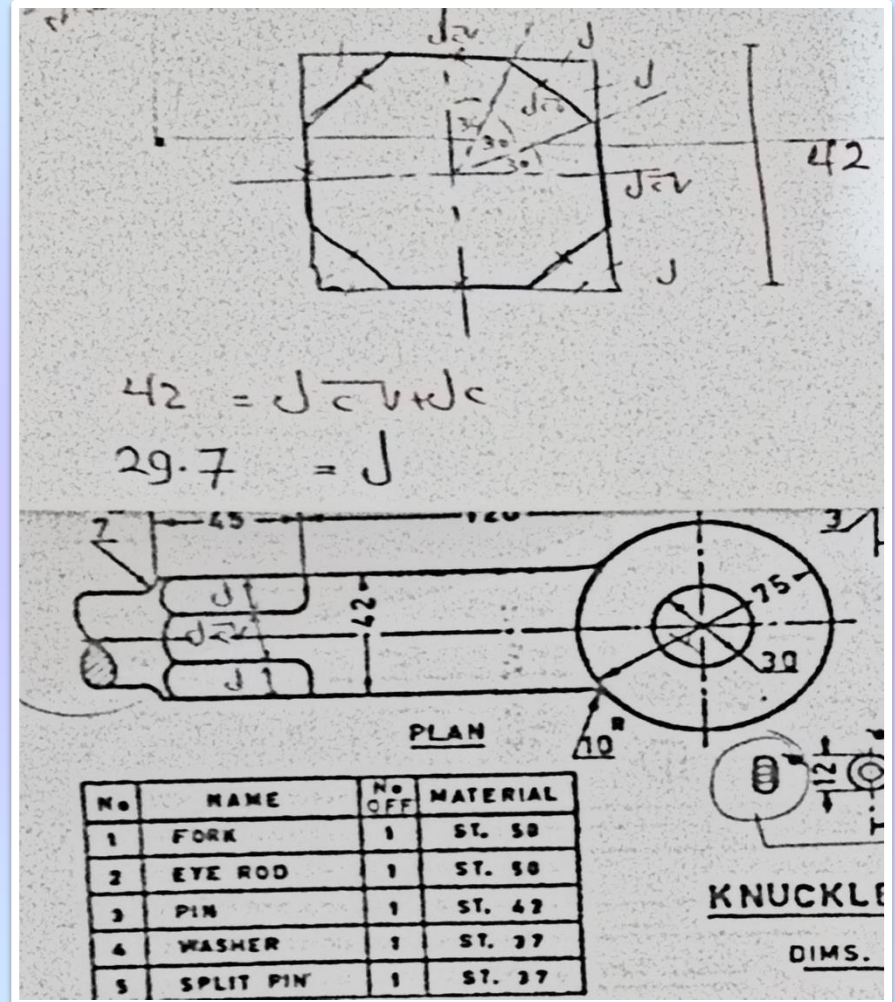
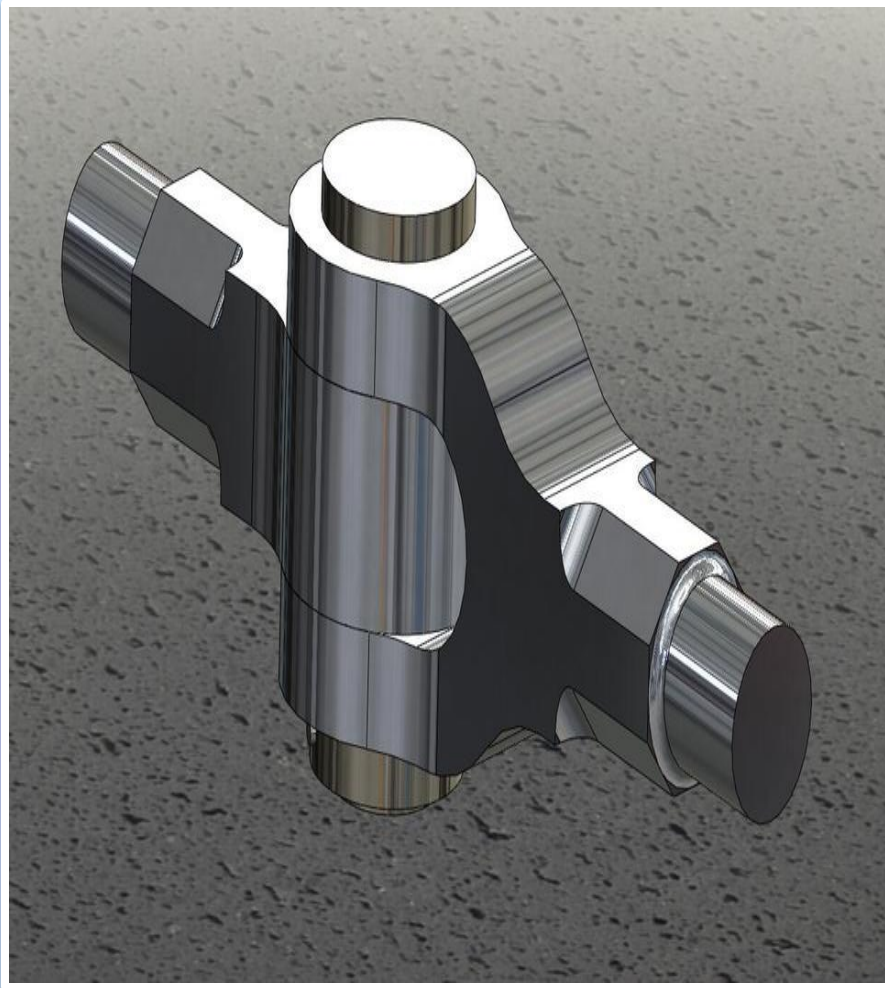
- DRAW TO A SCALE 1:1
1. SECTIONAL ELEVATION
 2. PLAN
 3. SIDE VIEW IN DIRECTION OF 'R'
 4. SECTIONAL SIDE VIEW AT A-A



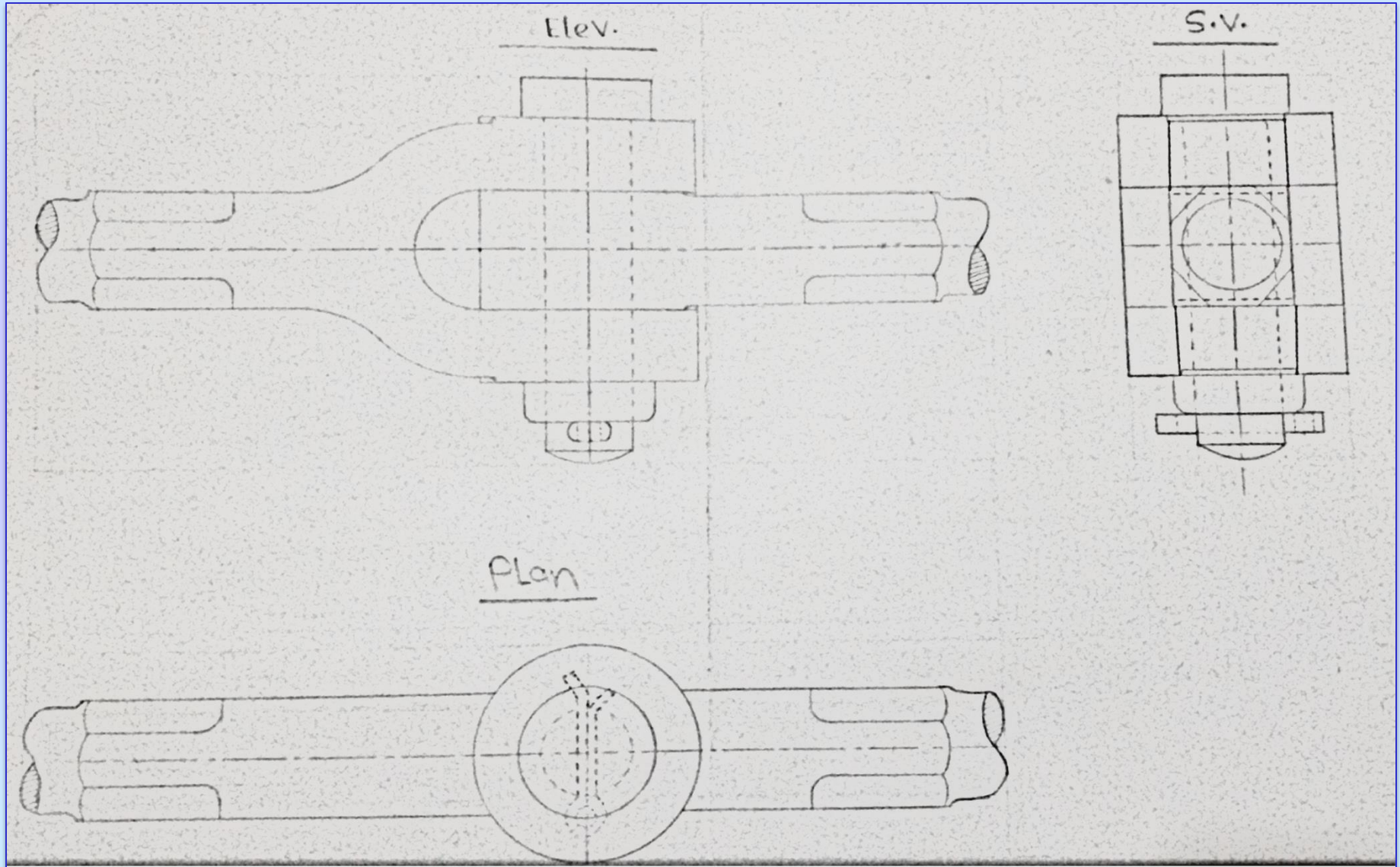
Knuckle Joint

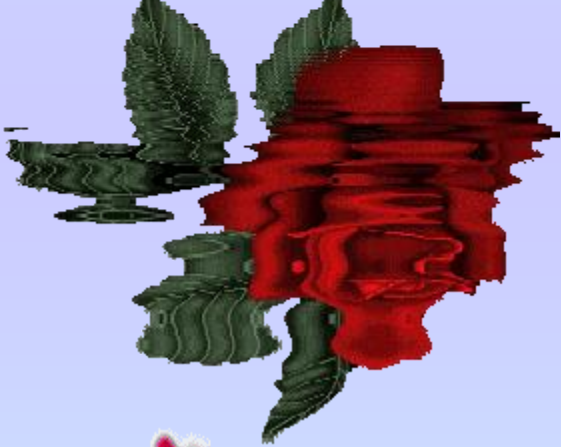


Knuckle Joint



** Knuckle Joint **





شكر احسن
استماعكم

