



Mechanical Drawing II

Code: MAE227

Syllabus:

- Gears and Pipelines
- Lifting devices and mechanical connections
- Clearance & Tolerances
- Operating codes
- Assembly of Mechanical Elements

Theoretical: 1 hr/wk

Practical: 2 hrs/wk

Syllabus:

- Gears and Pipelines



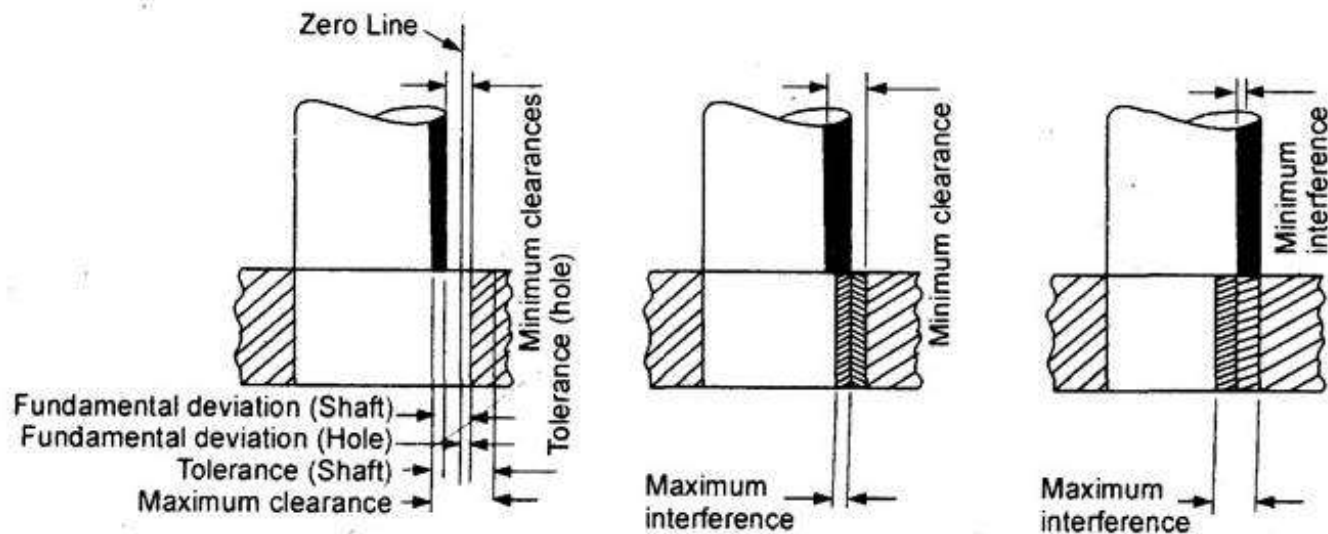
Syllabus:

- Lifting devices and mechanical connections



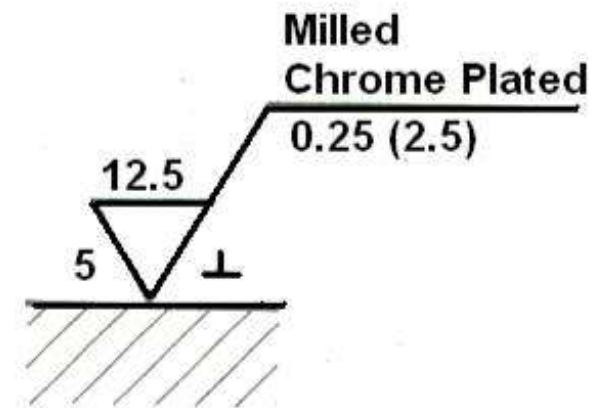
Syllabus:

- Clearance & Tolerances



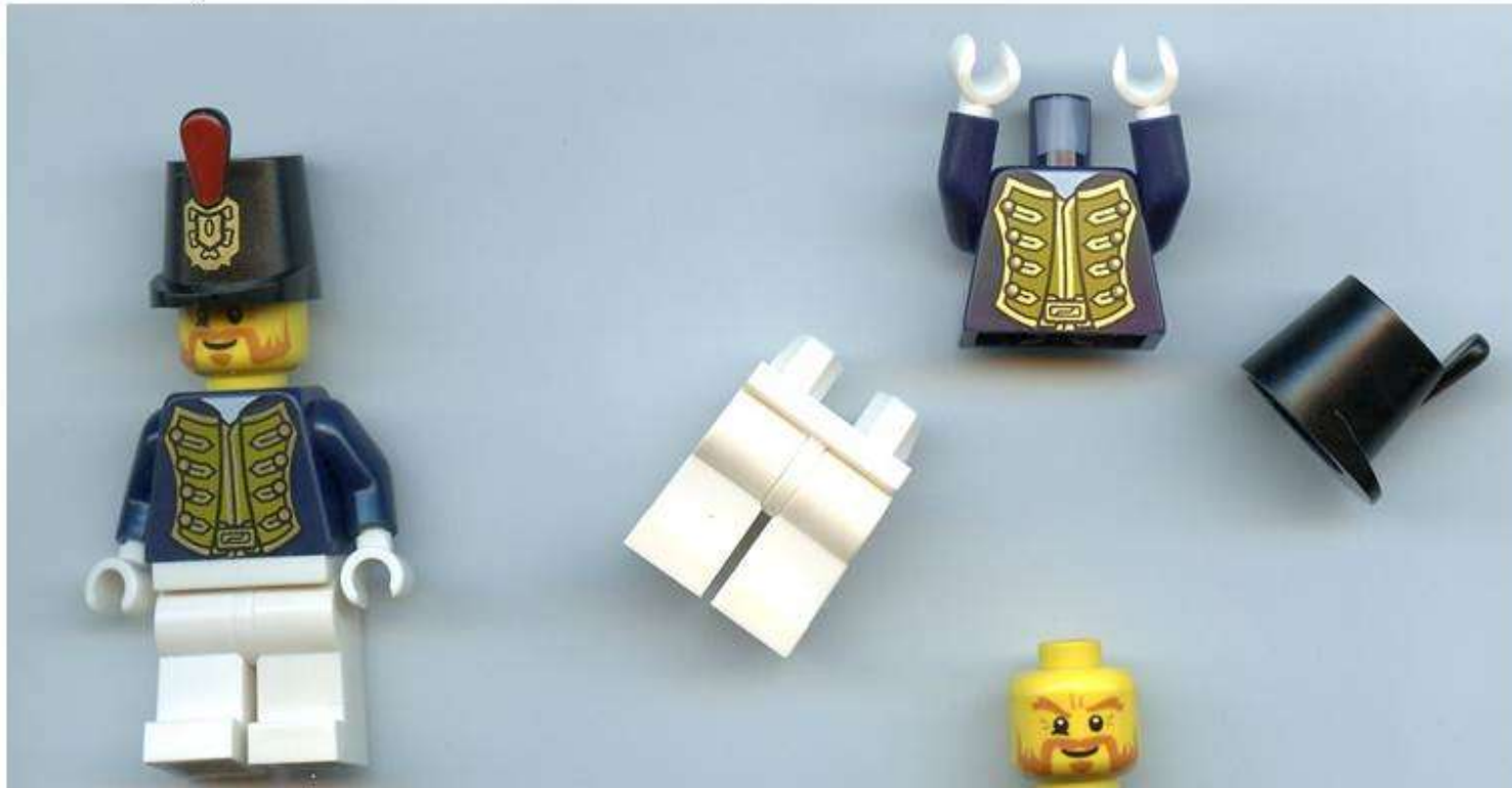
Syllabus:

- Operating codes



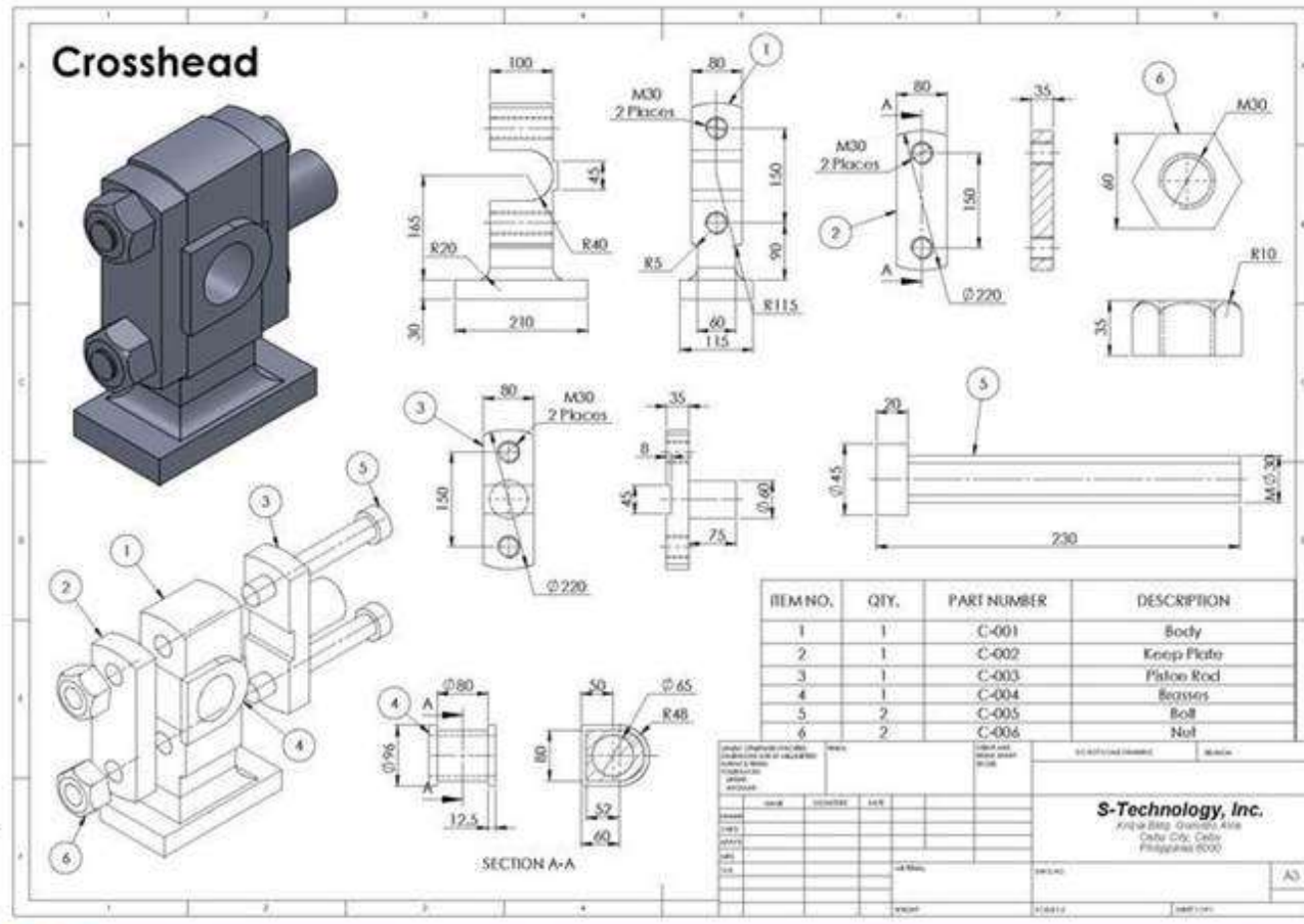
Syllabus:

- Assembly of Mechanical Elements



Syllabus:

- Assembly of Mechanical Elements



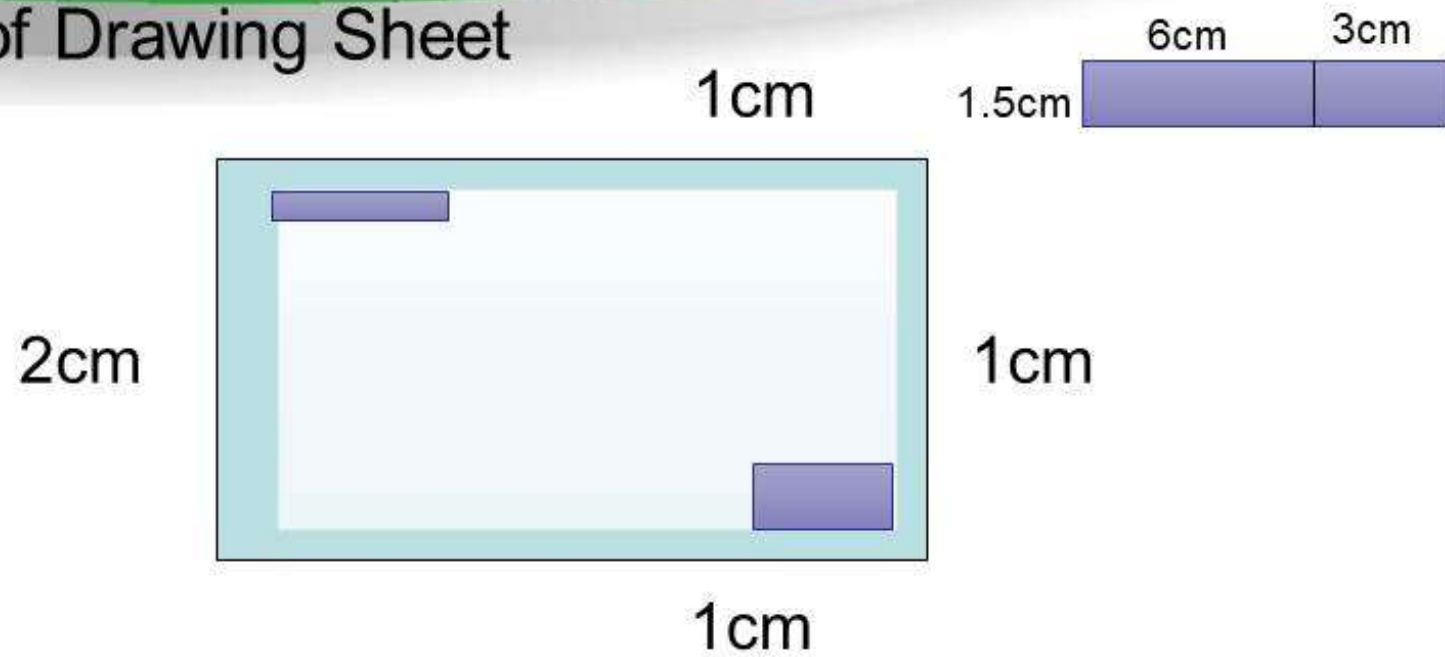
Course final degree is:

70% for the average continuous assessment mark
30% final exam

70% is divided to:

20% or 30% classwork sheets
20% or 10% homework sheets
30% midterm exam

Layout of Drawing Sheet



Layout of Drawing Sheet

		1cm	5cm	1.5 cm	1.5 cm
Title Block	1cm	2			
	1cm	1			
	1cm	No.	Item Name	Mat.	Quant.
	1.5cm	Materials Department	Engineering College	Basrah University	
	1.5cm	Student No	Student name		
	1.5cm	Date	Part Name	CW or HM	
				Scale	
		3cm	3cm	3cm	