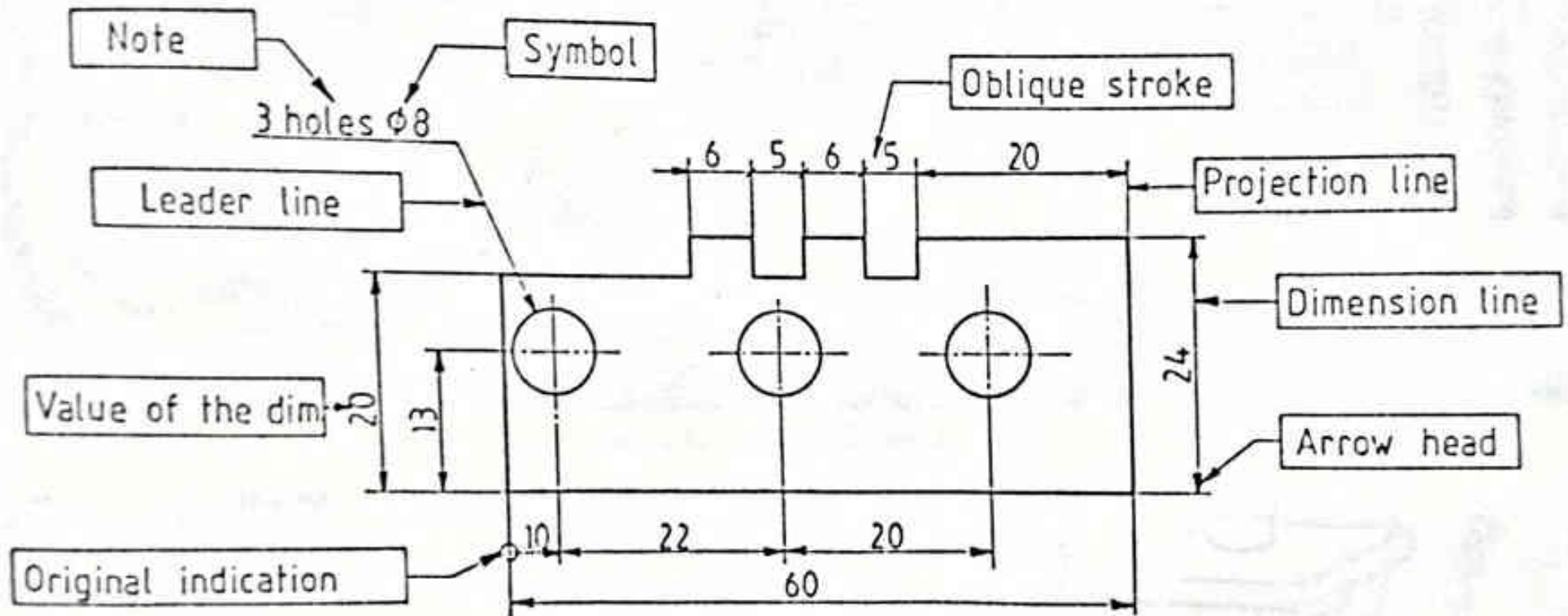


Mechanical Drawing I

Code: MAE217

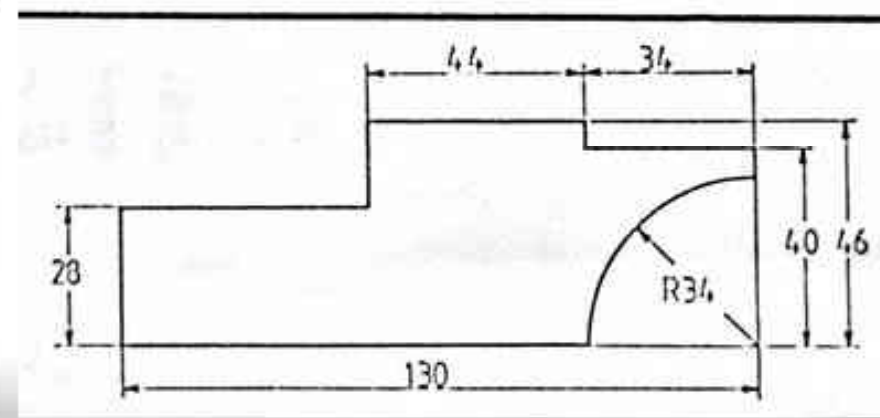
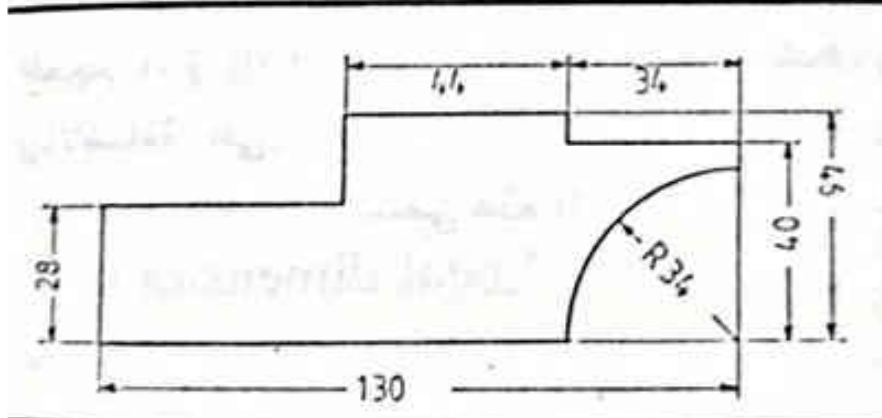
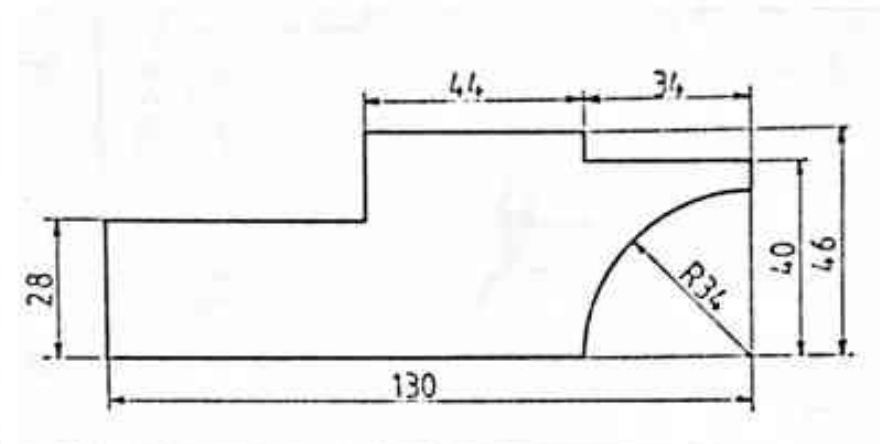
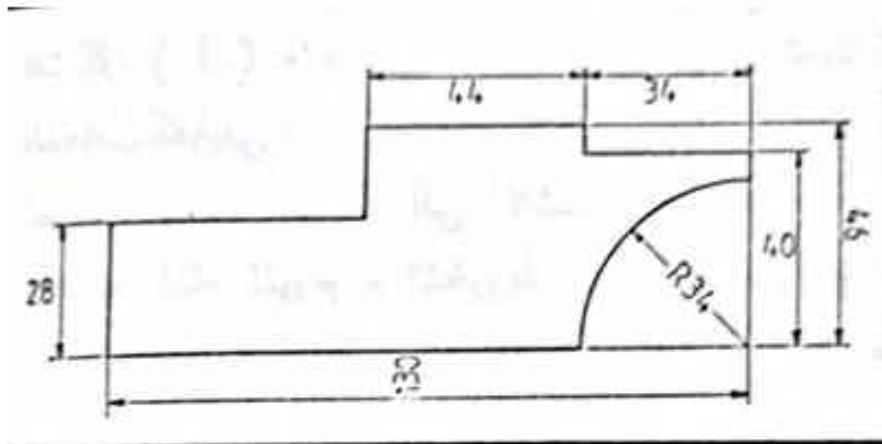
Dimensions

Dimensions:

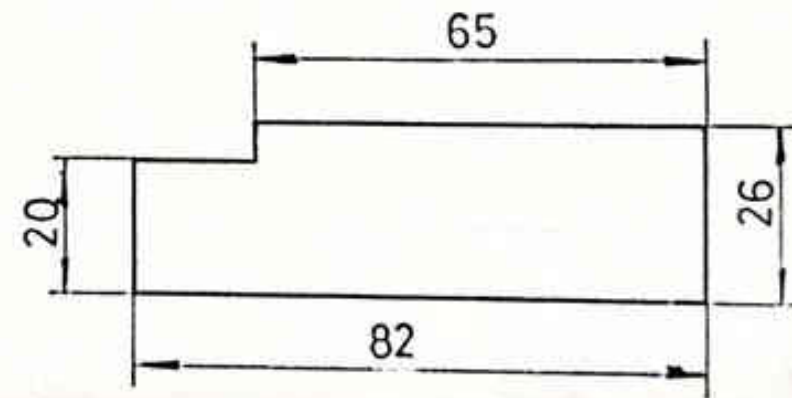
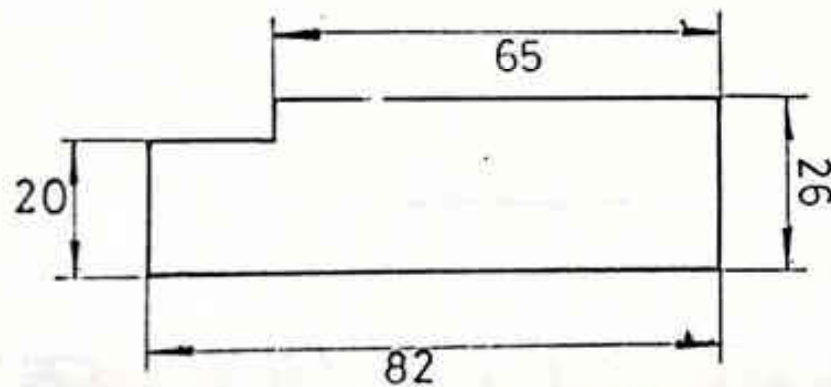
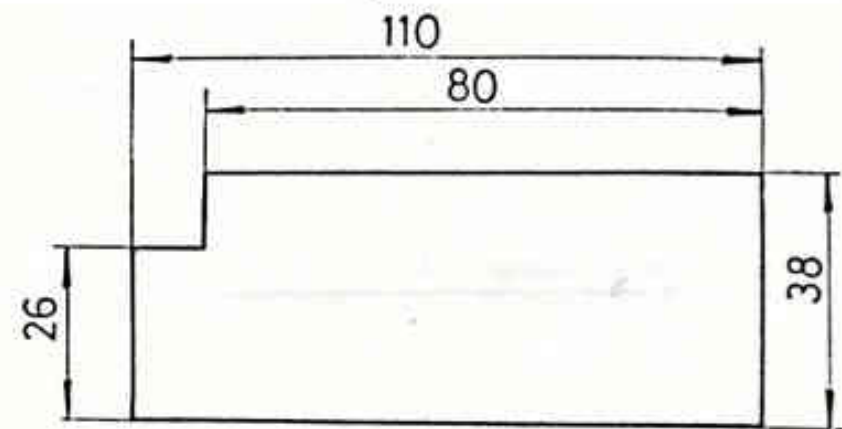
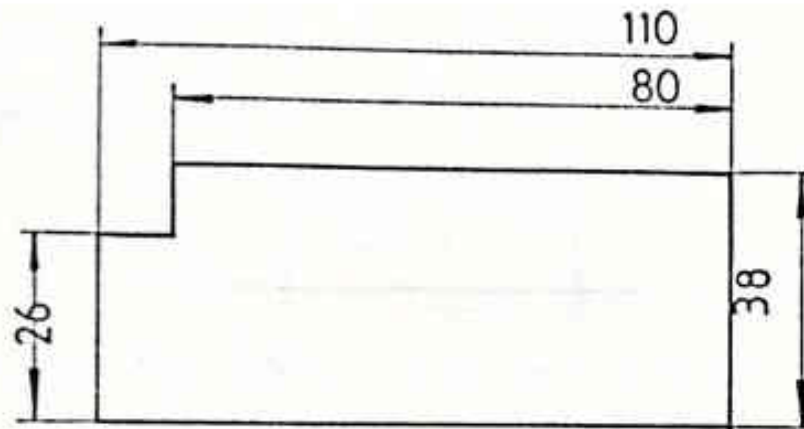


Methods of Dimensioning:

1. **Unidirectional:** where the dimensions are drawn parallel to the bottom of the drawing, i.e. horizontal.
2. **Aligned:** where the dimensions are drawn parallel to the related dimension line and are readable from the bottom or right-hand side of the drawing.



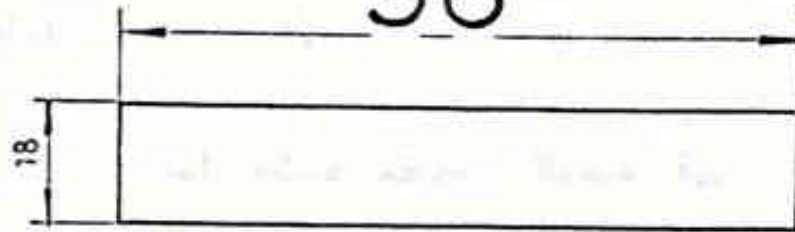
Dimensions:



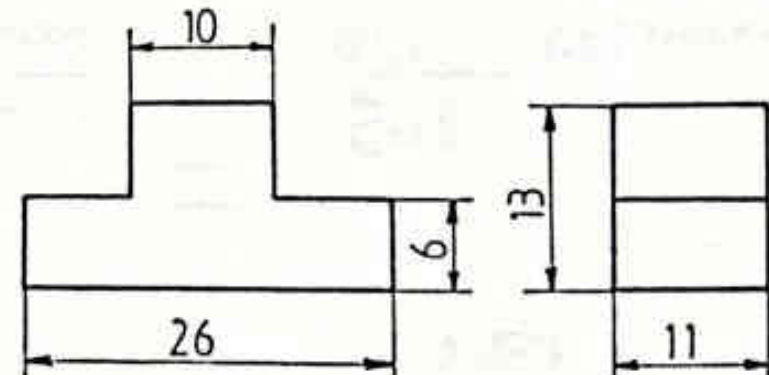
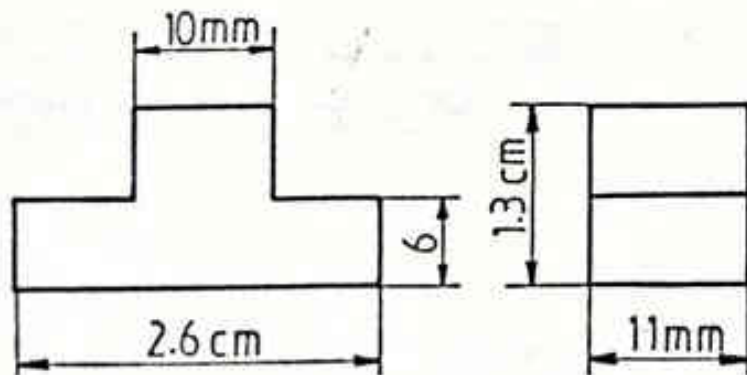
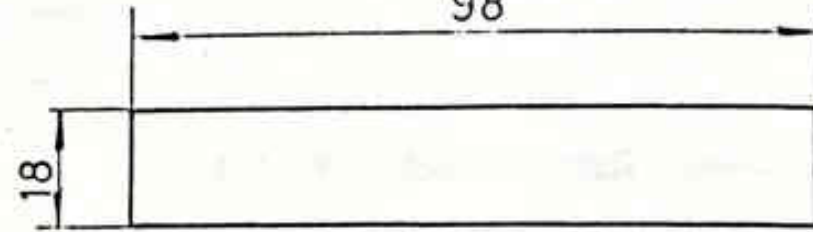
- All figures should be in same size (approx. 3mm high).
- It is not necessary to write the symbol (mm) after every figure.



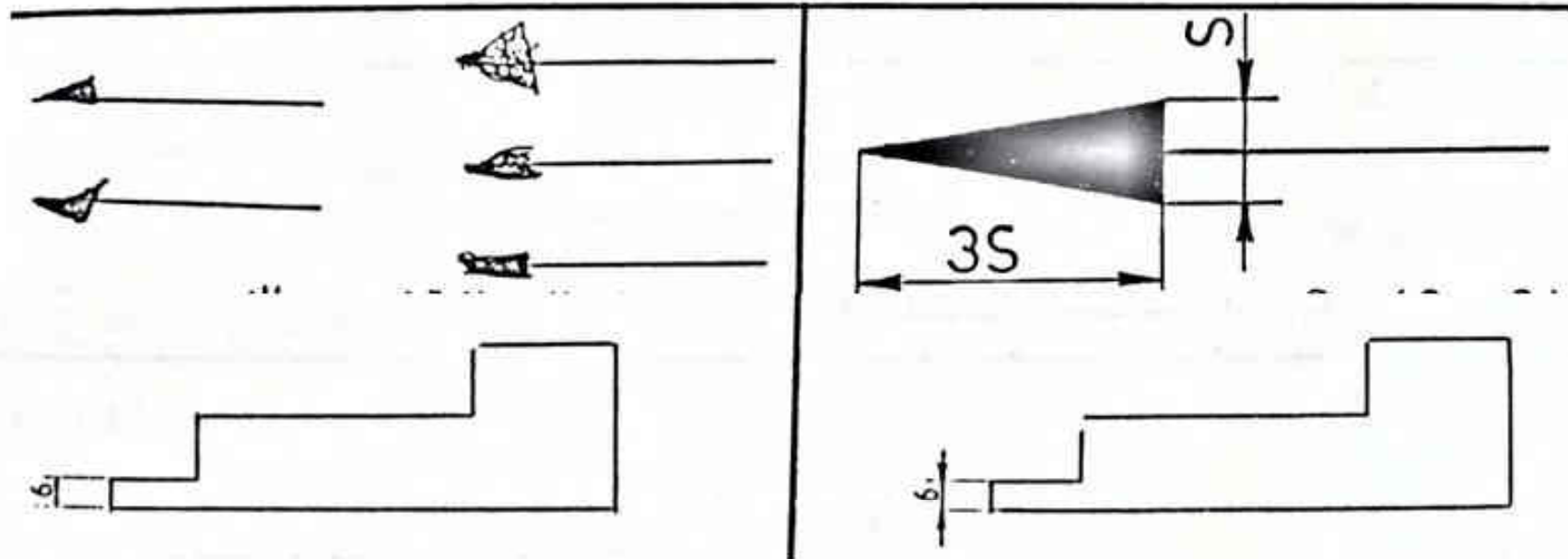
98



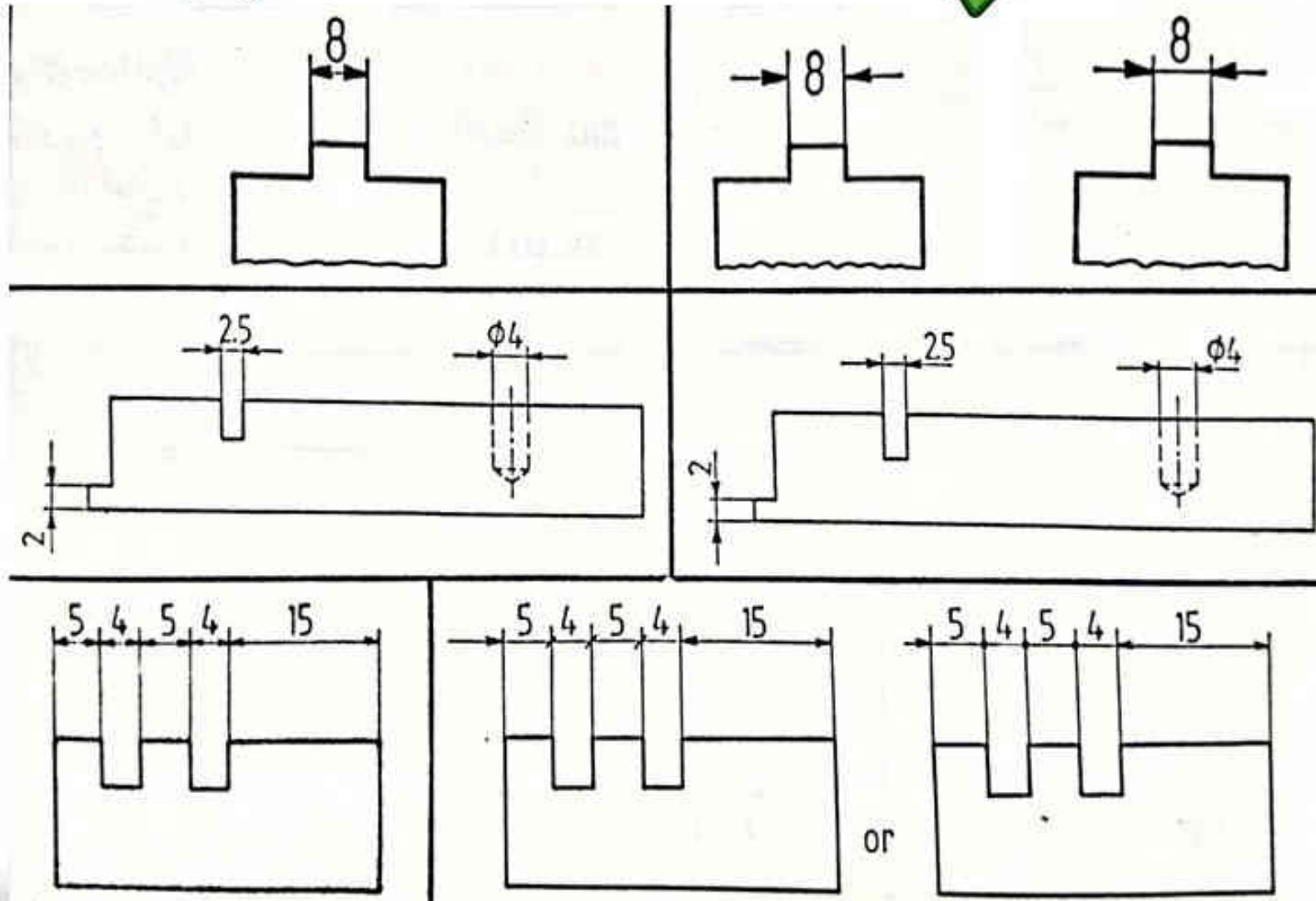
98



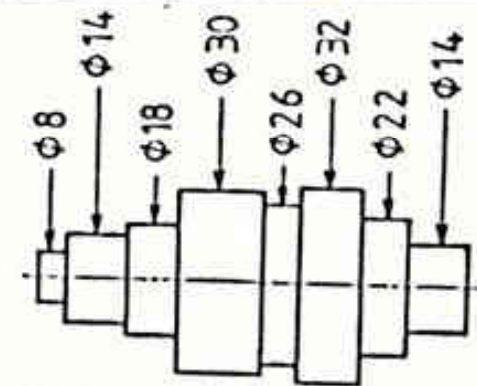
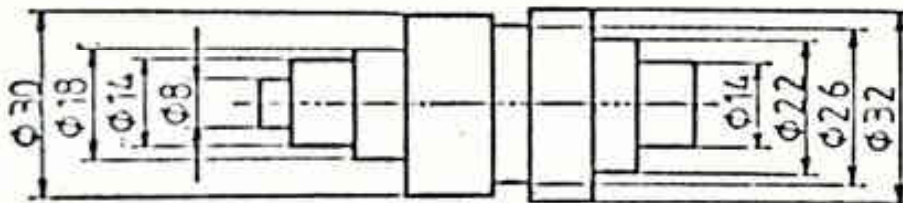
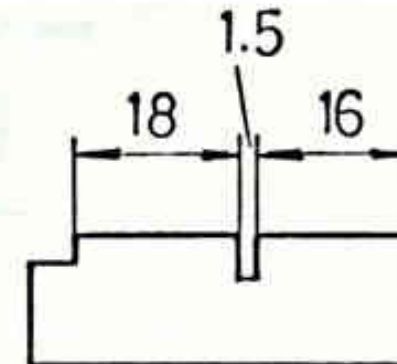
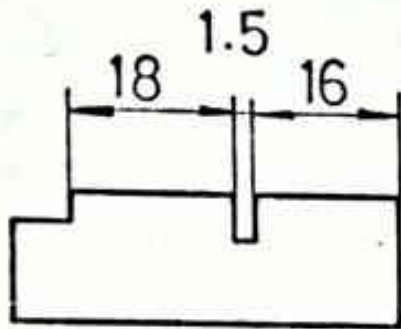
Arrowheads are drawn heavily about 3mm long and 1mm wide.



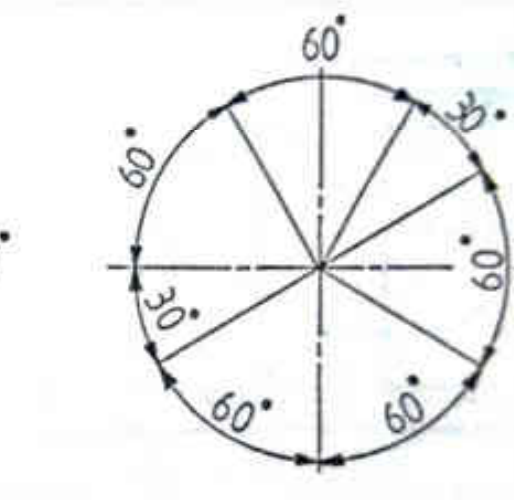
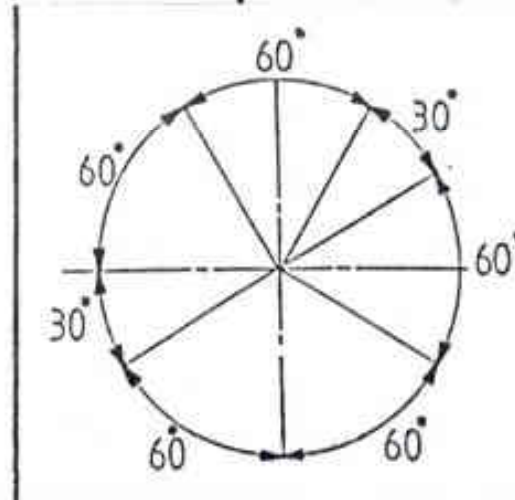
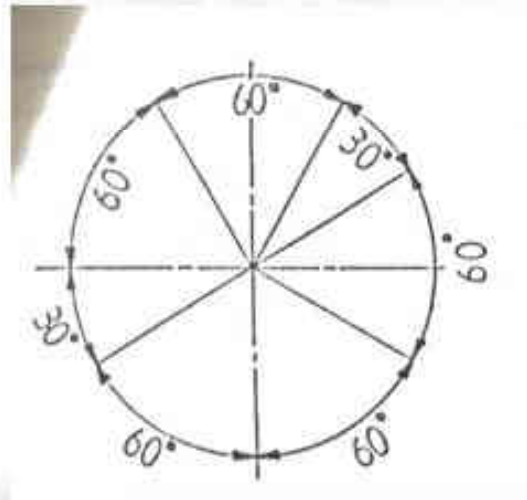
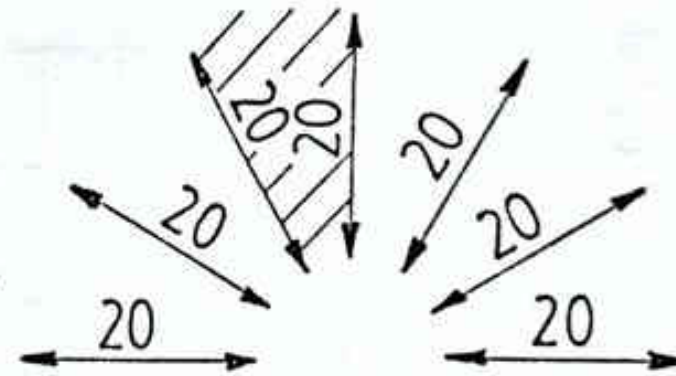
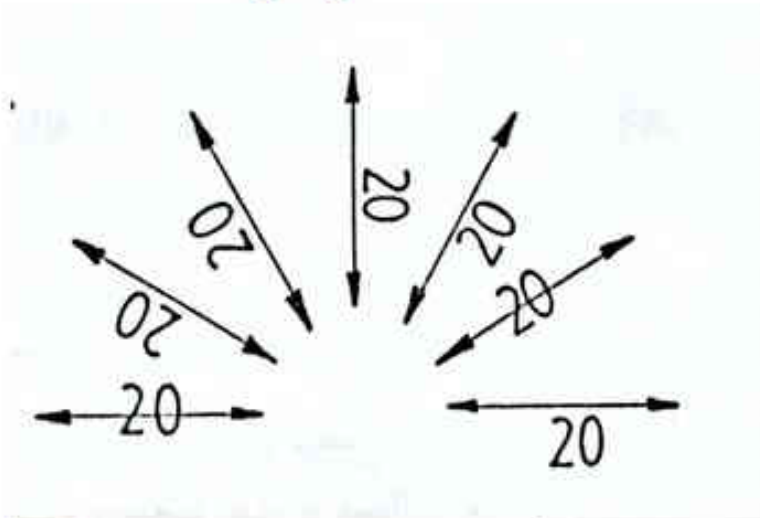
Dimensions:



Dimensions:



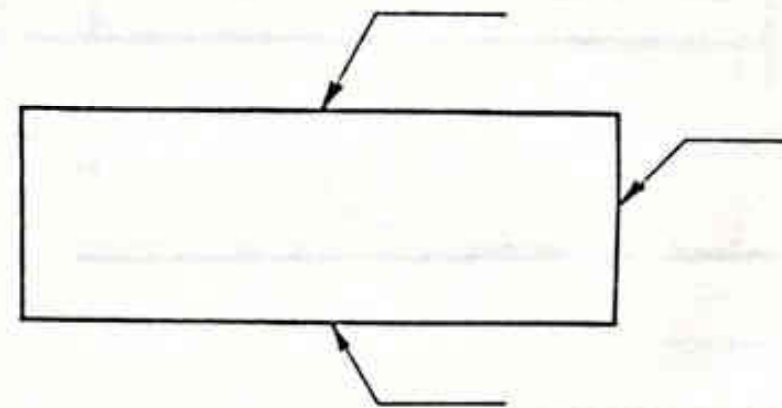
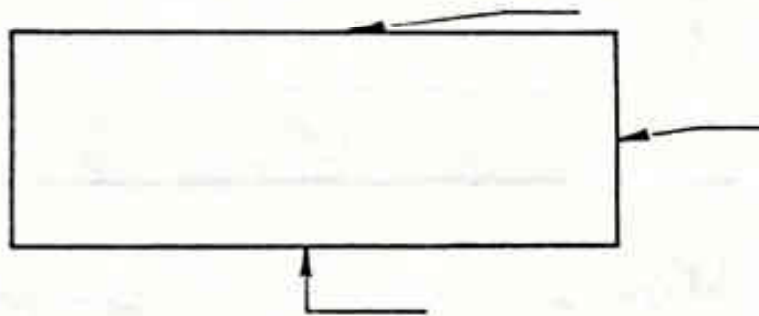
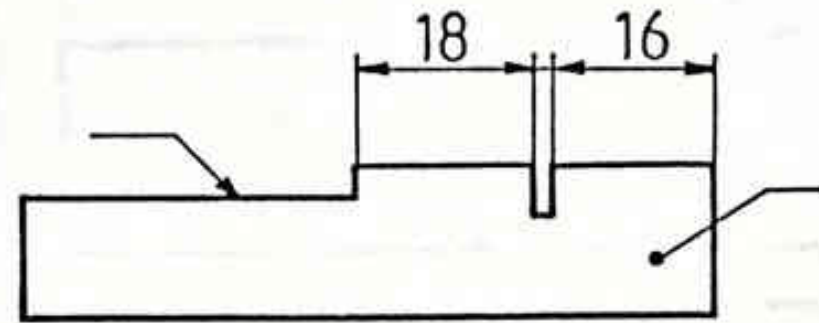
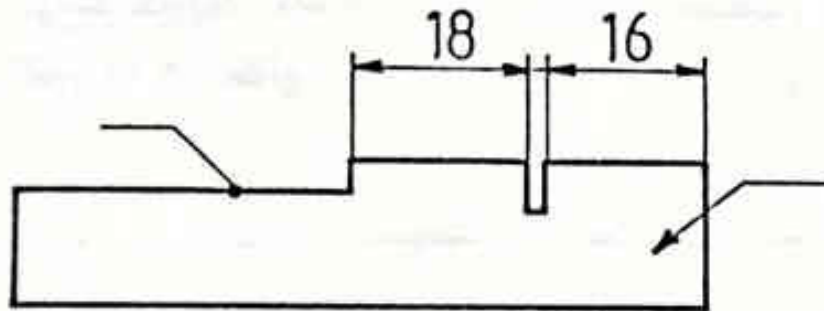
Dimensions:



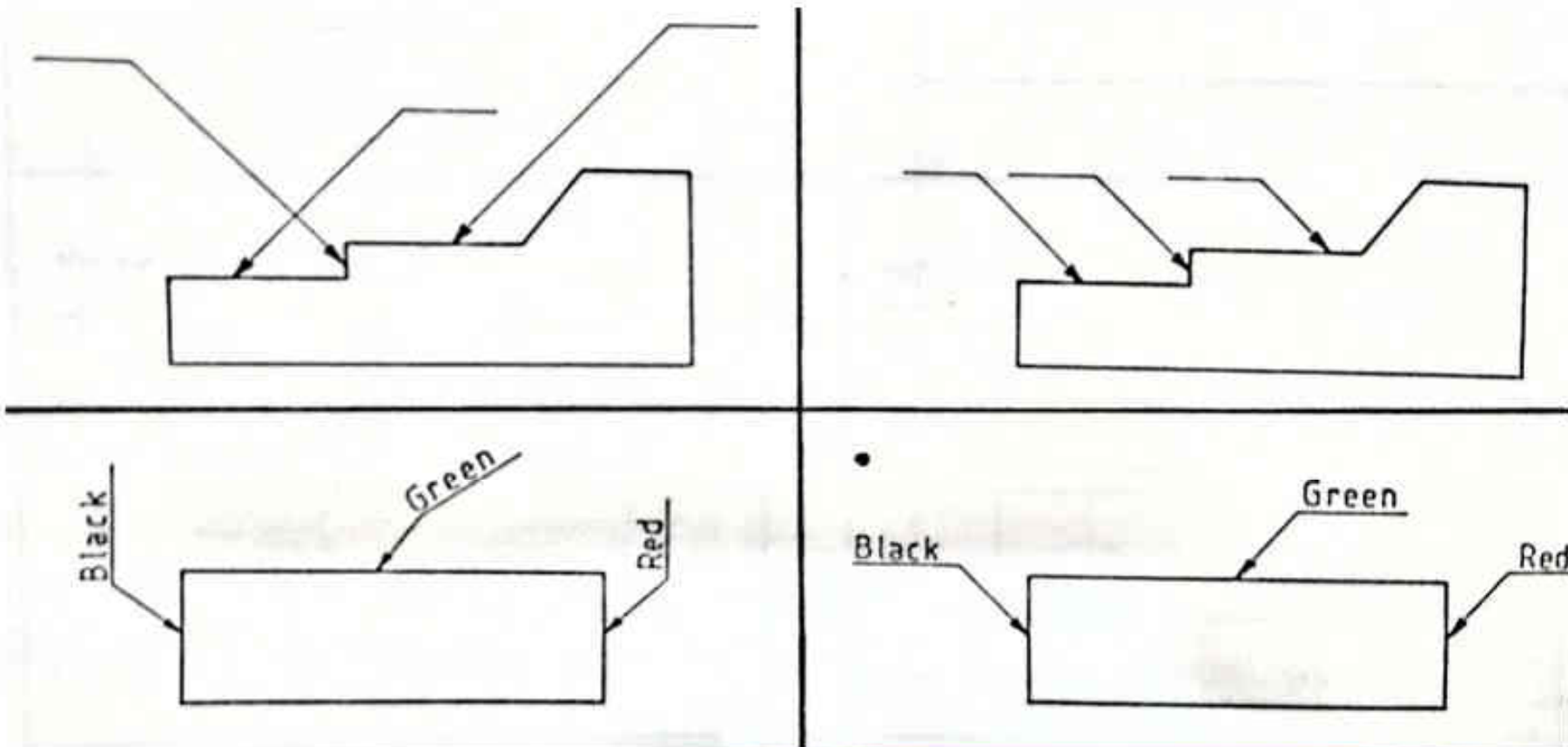
Dimensions:

ϕ	Diameter	$S\phi$	Spherical diameter
R	Radius	SR	Spherical radius
\square	Square	\circ	Angle degrees

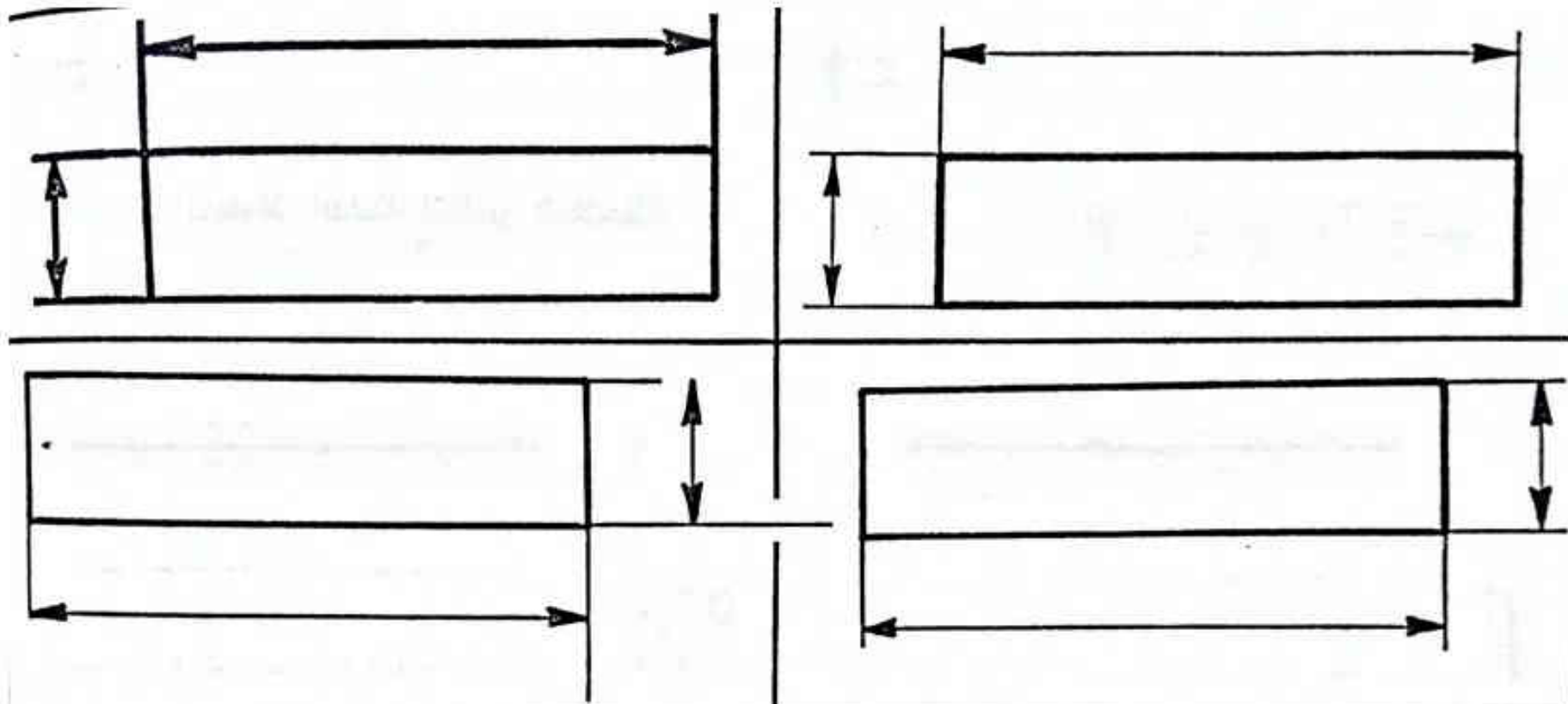
Dimensions:



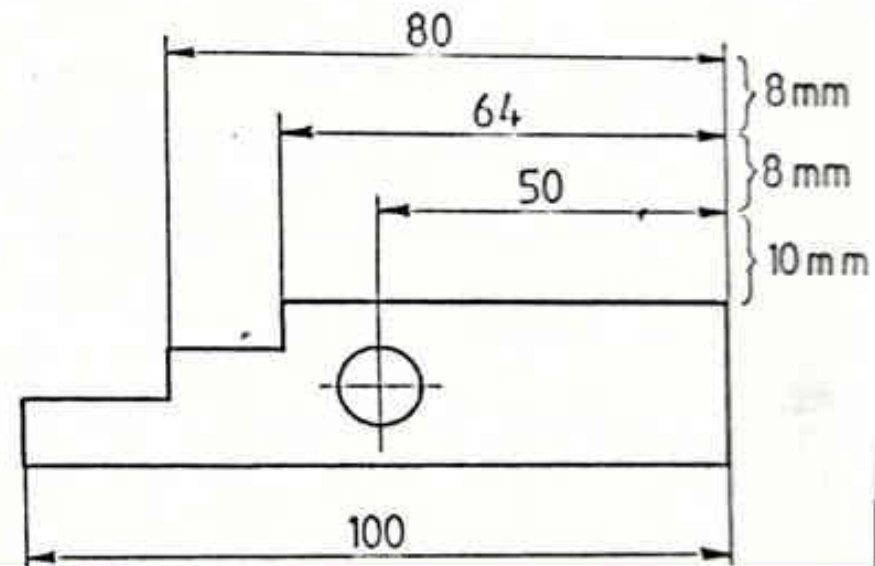
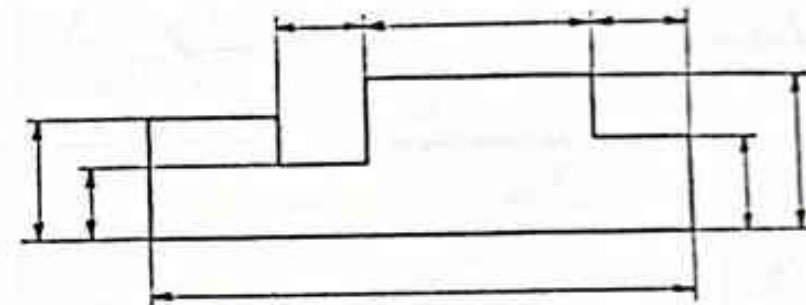
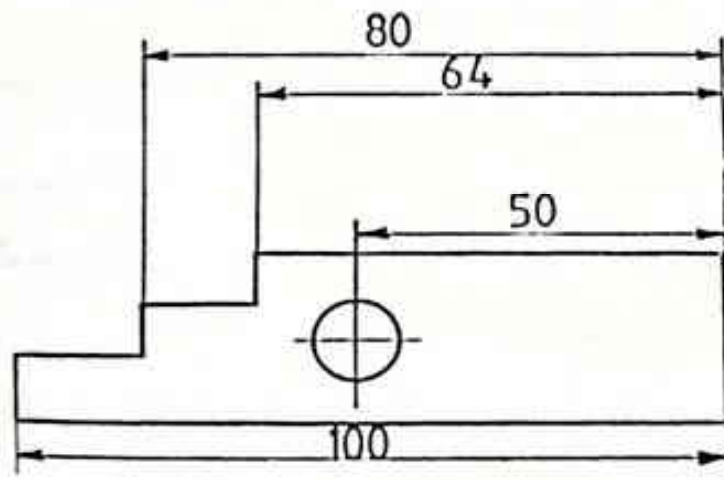
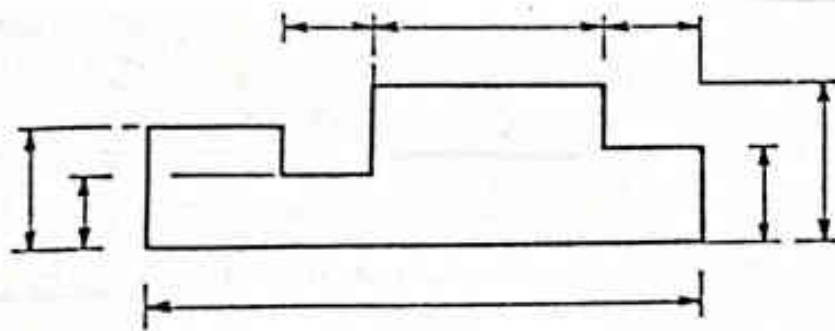
Dimensions:



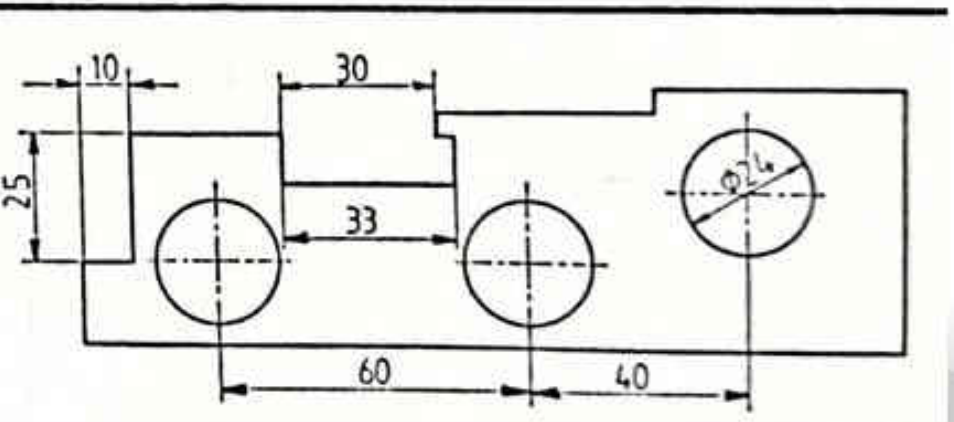
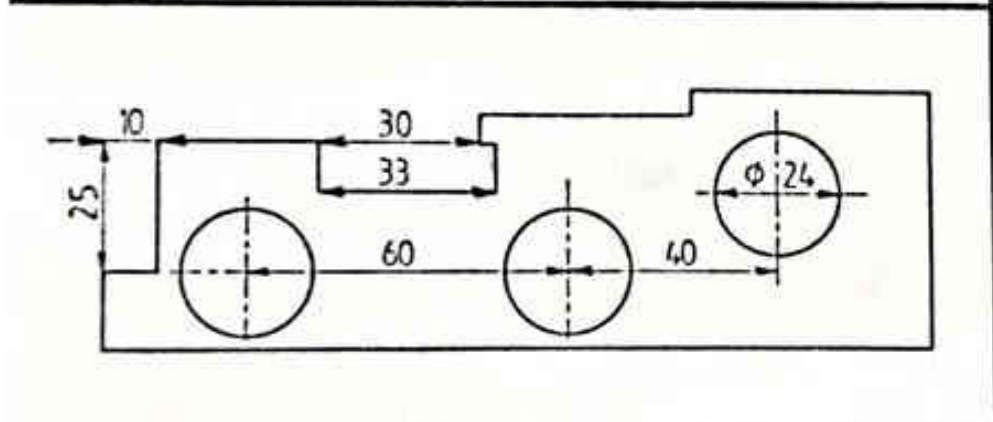
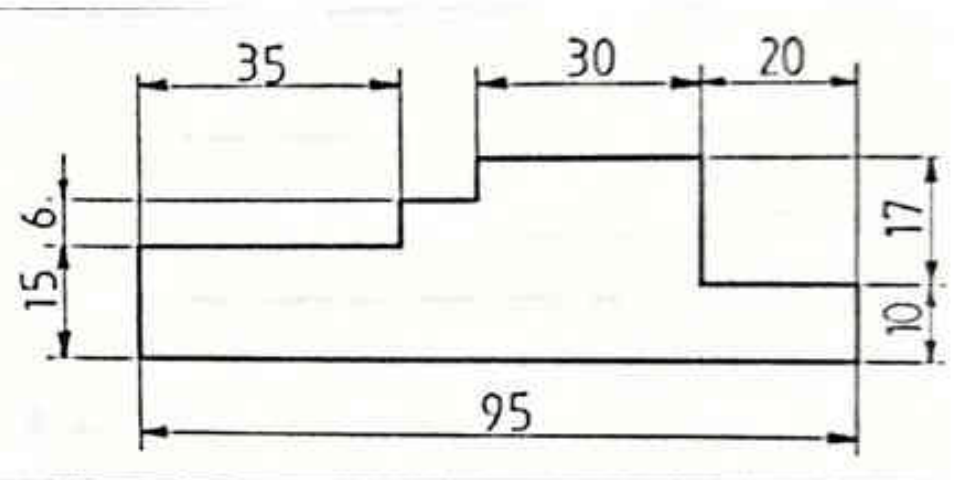
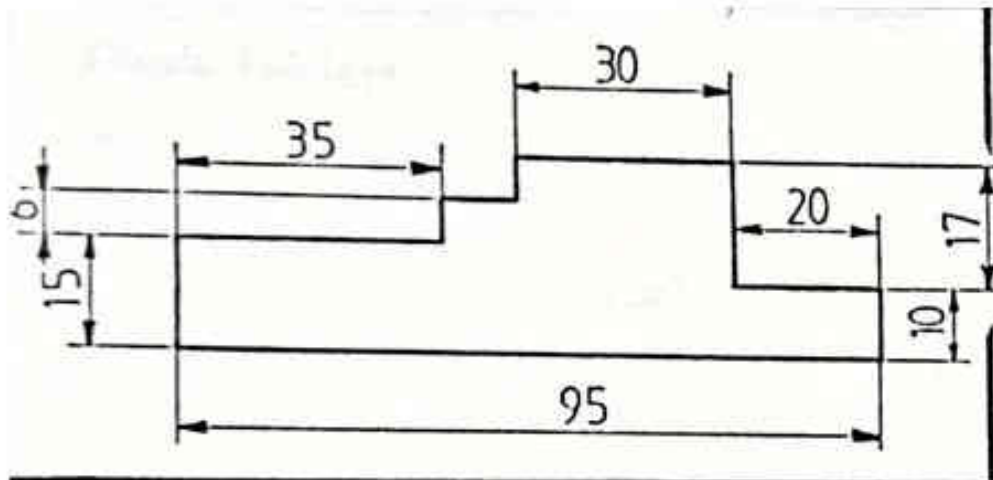
Dimensions:



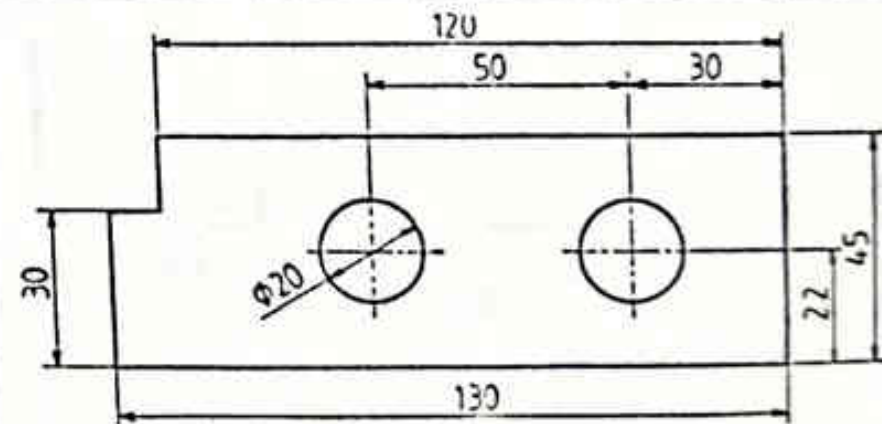
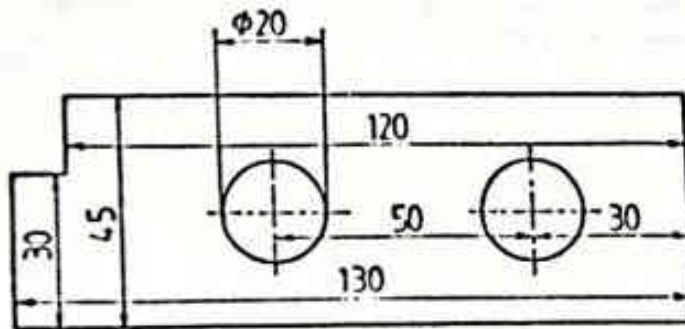
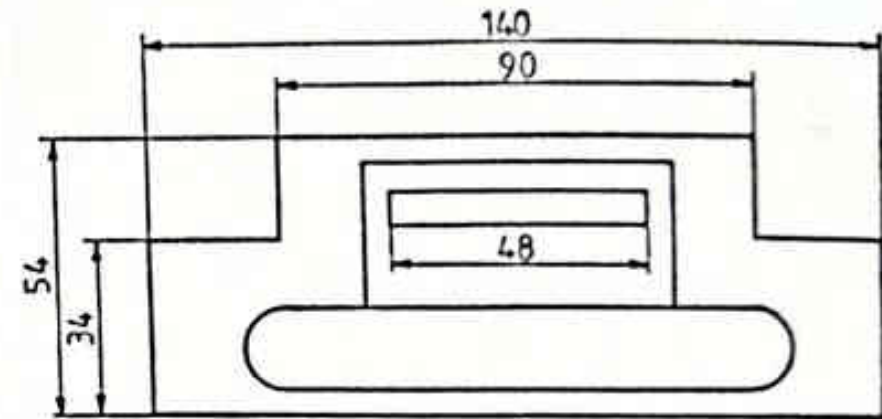
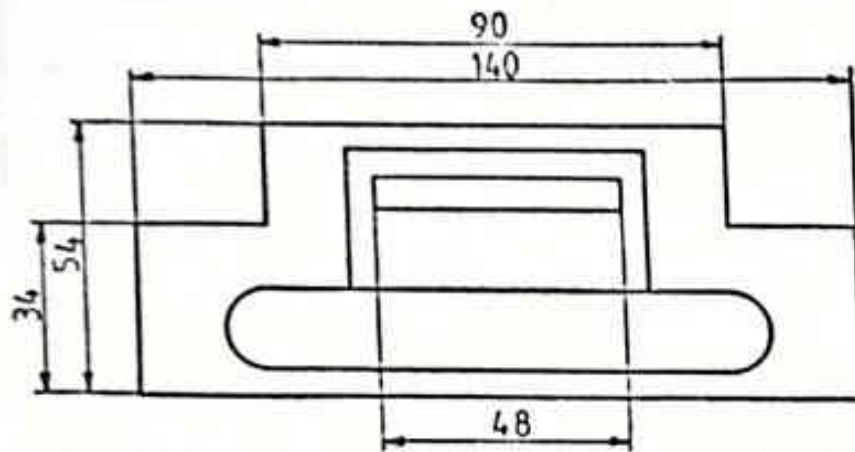
Dimensions:



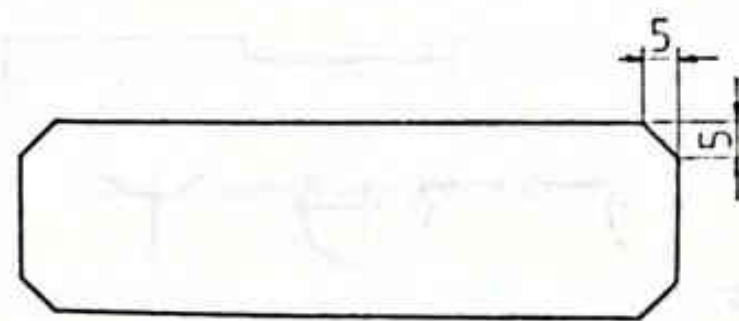
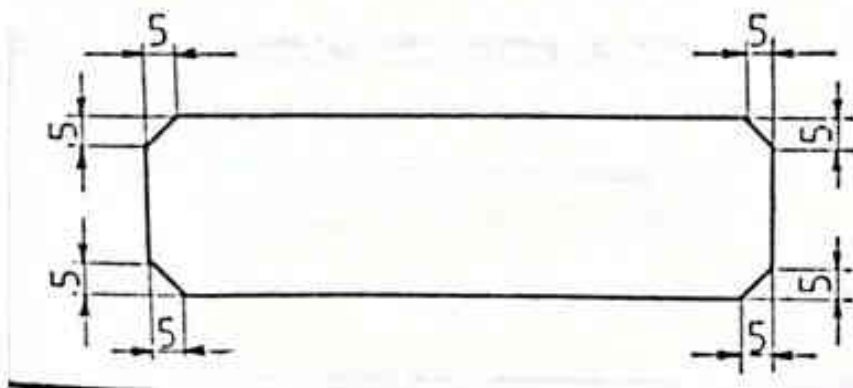
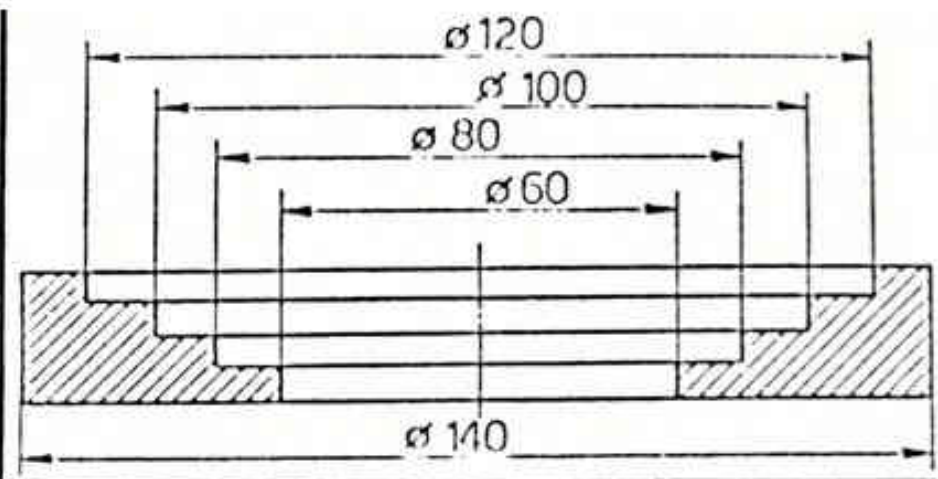
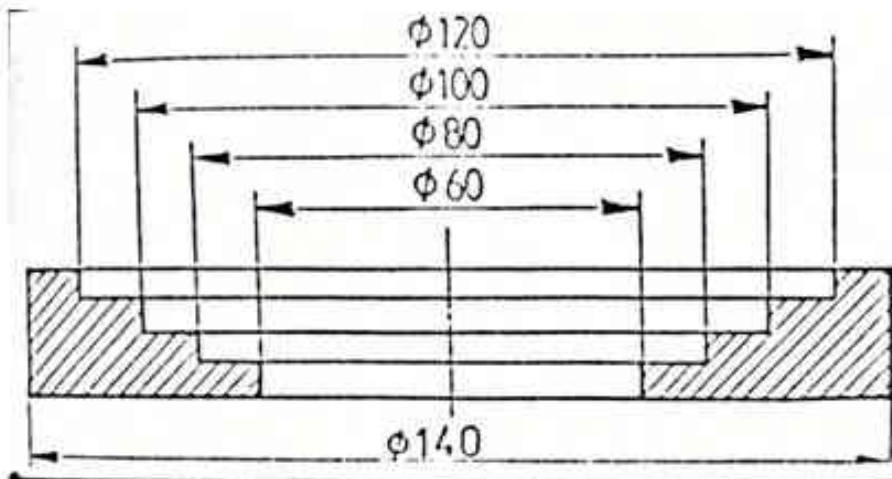
Dimensions:



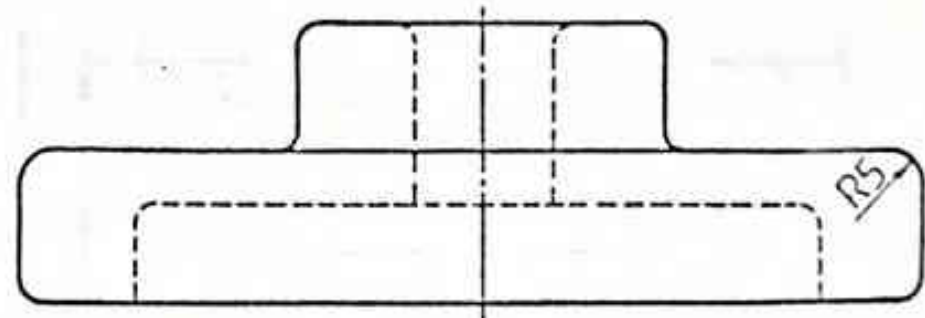
Dimensions:



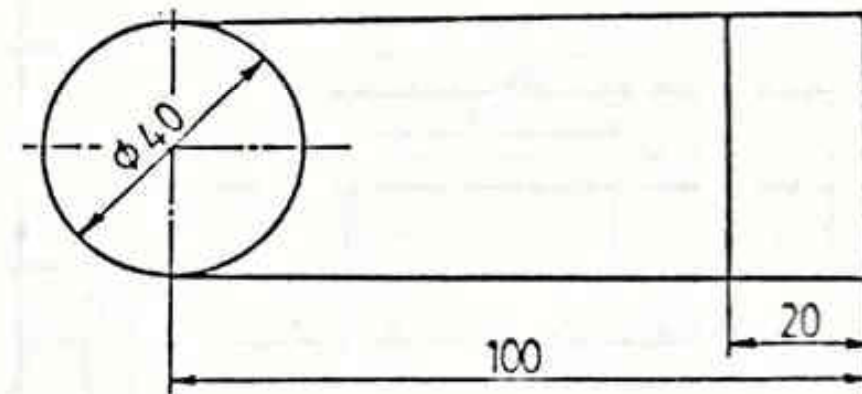
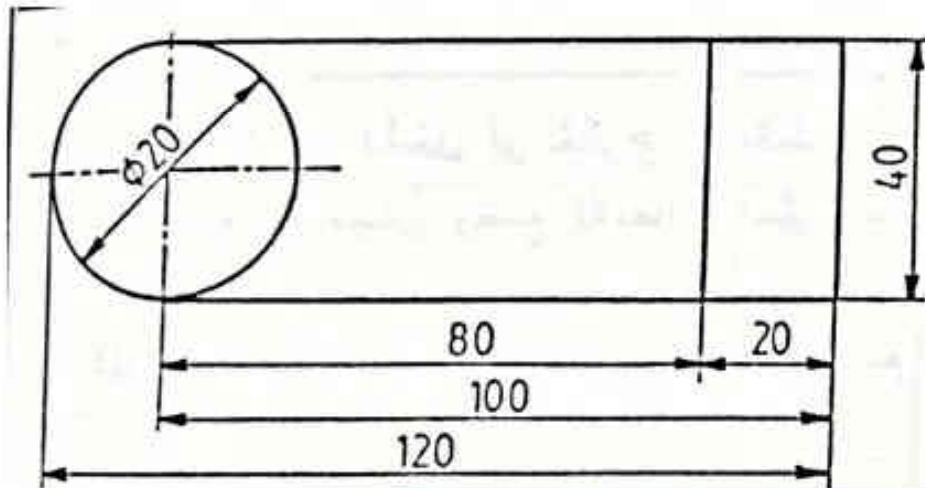
Dimensions:



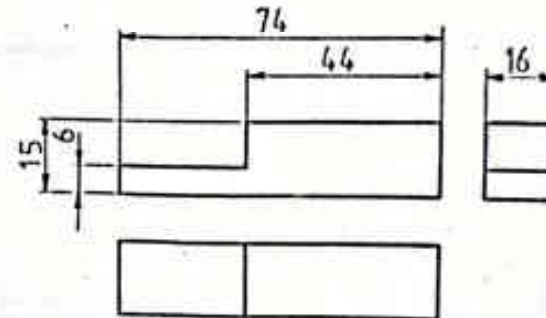
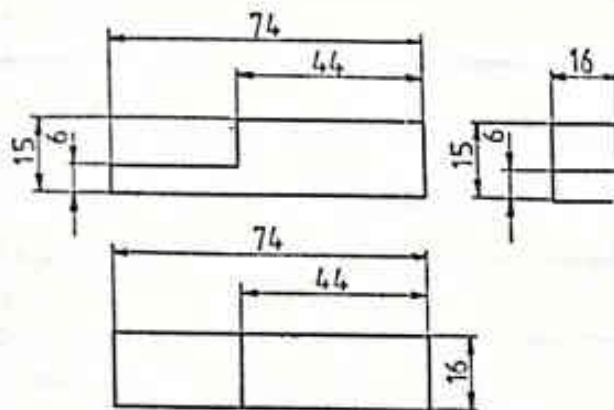
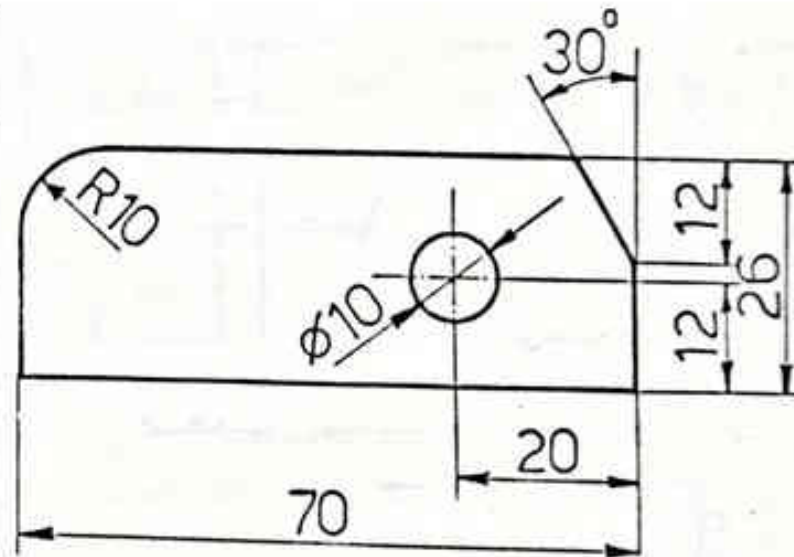
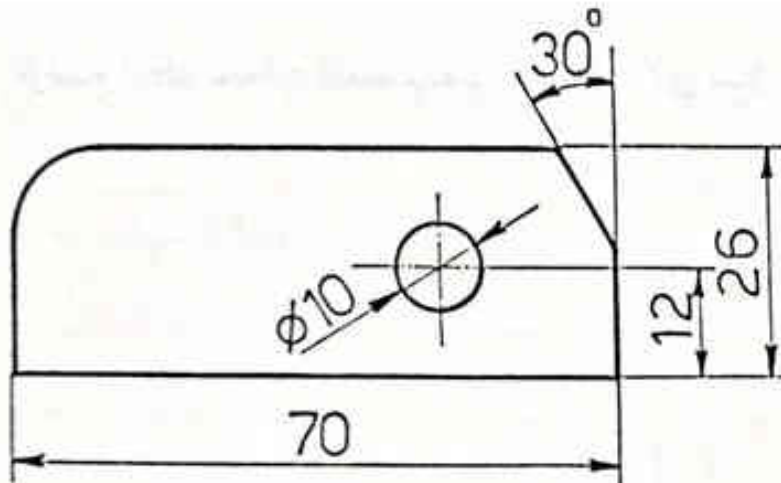
Dimensions:



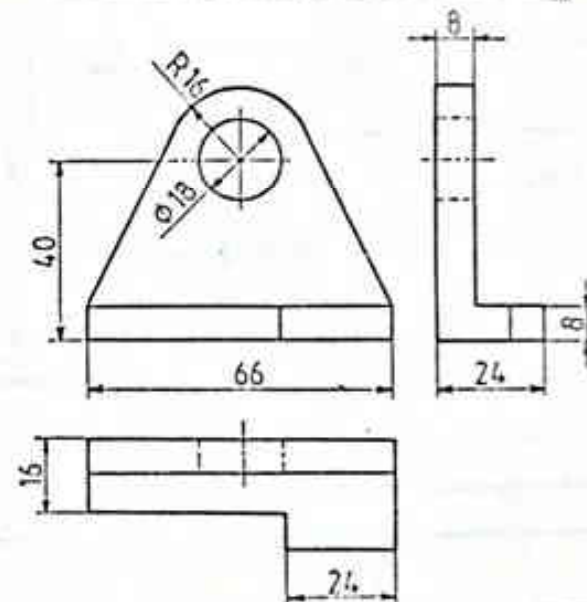
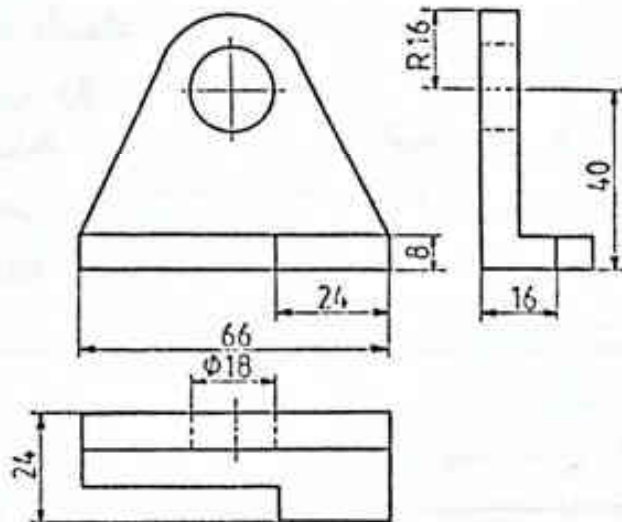
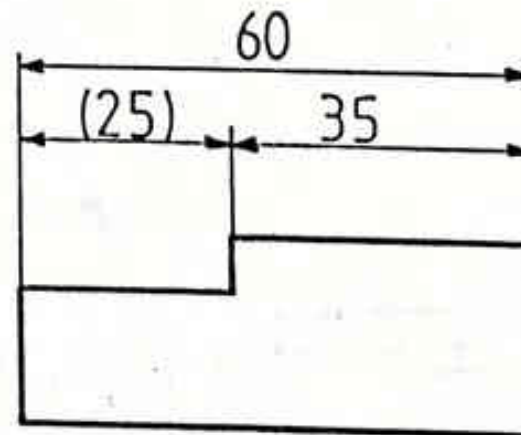
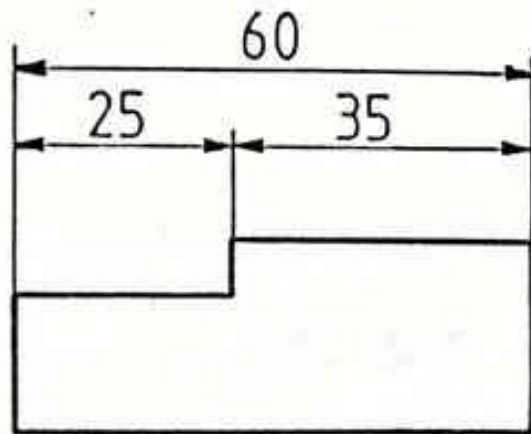
Unspecified radii R3



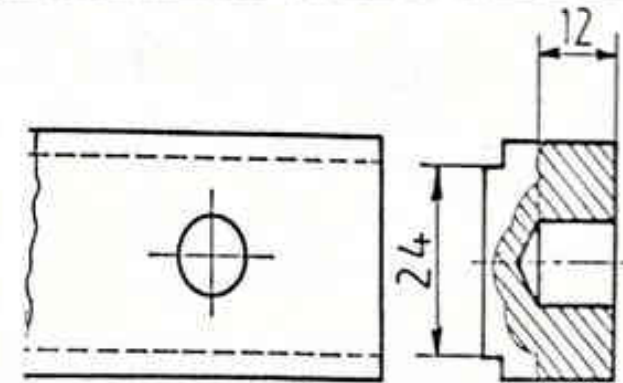
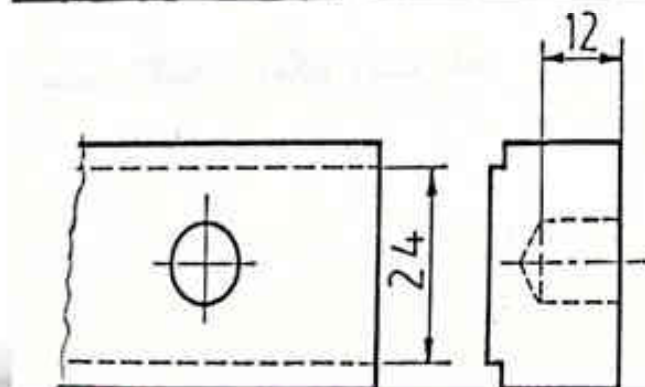
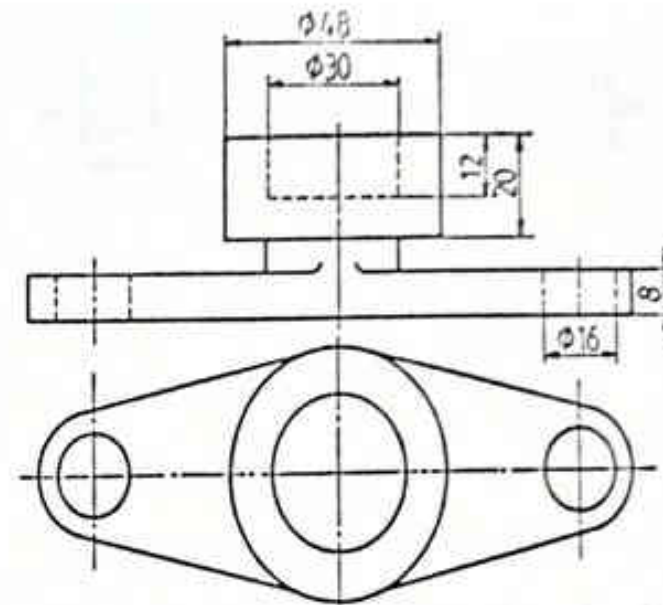
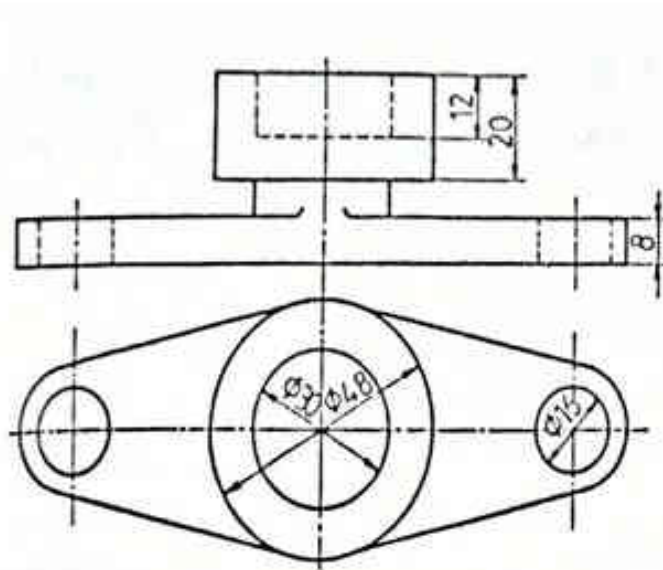
Dimensions:



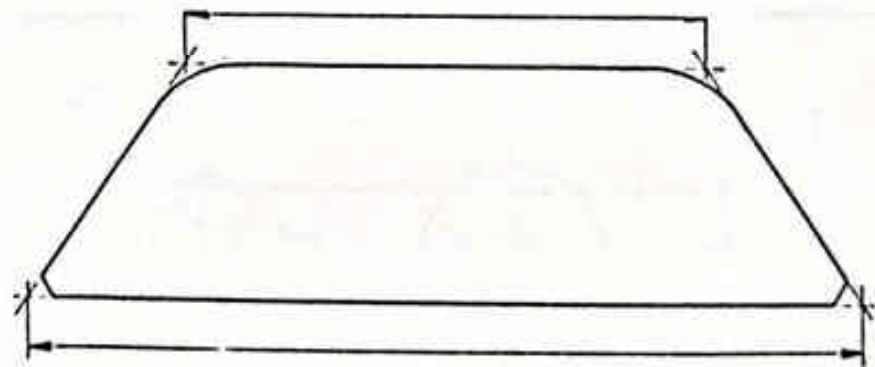
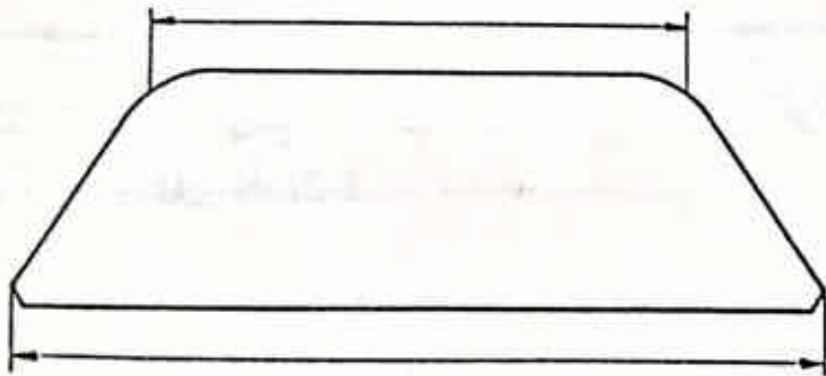
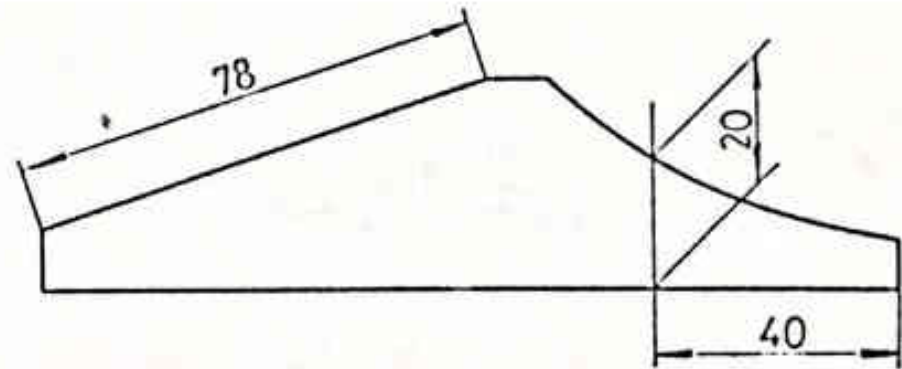
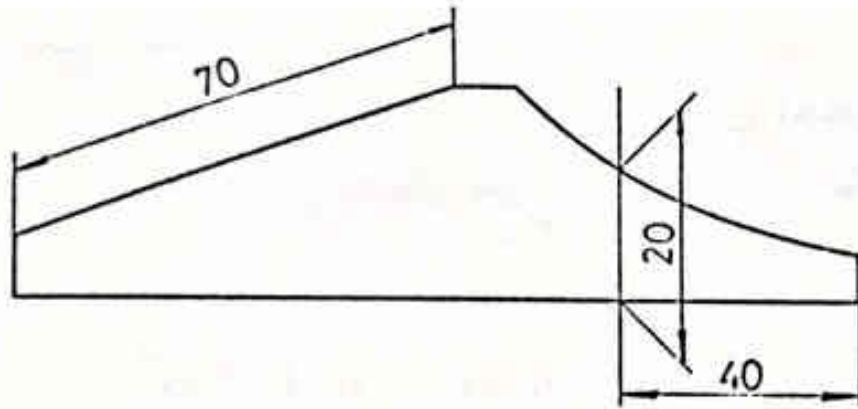
Dimensions:



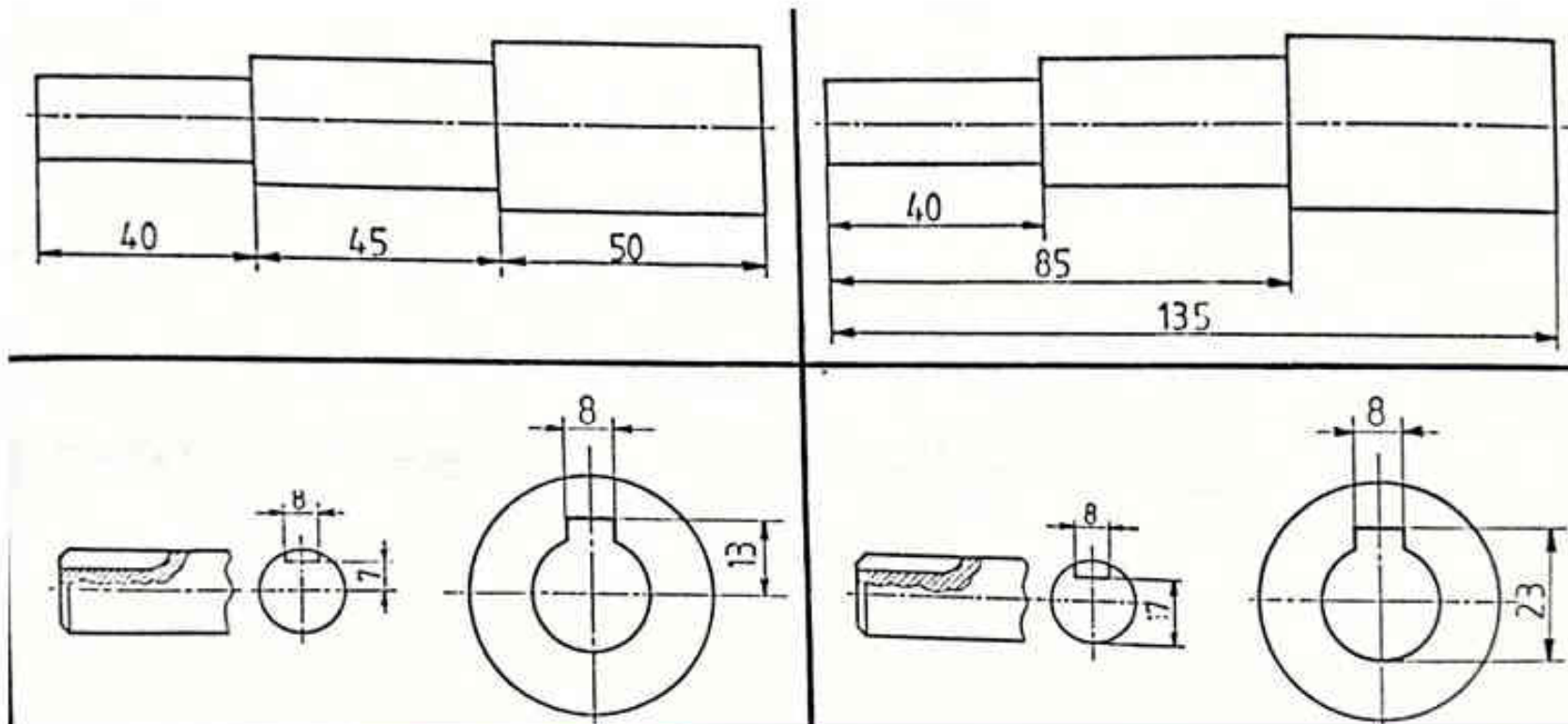
Dimensions:



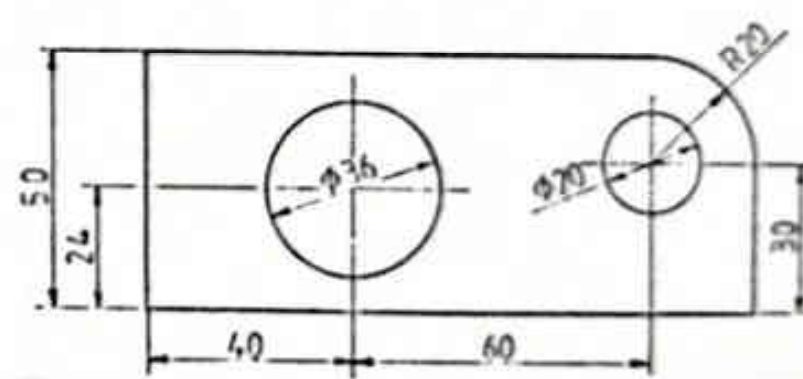
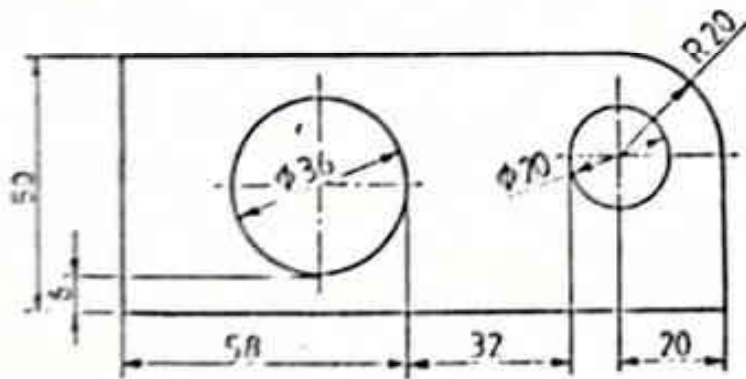
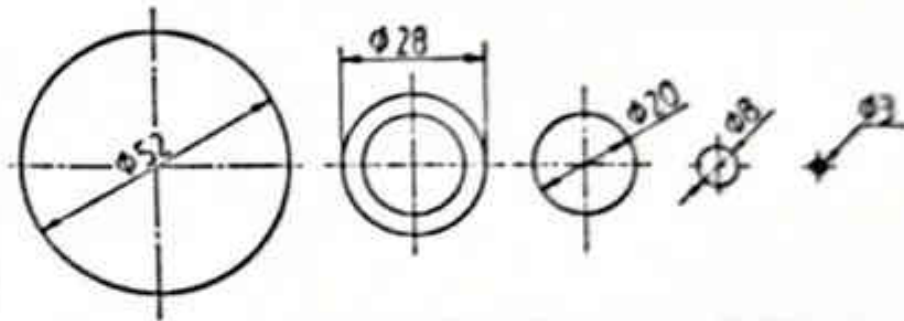
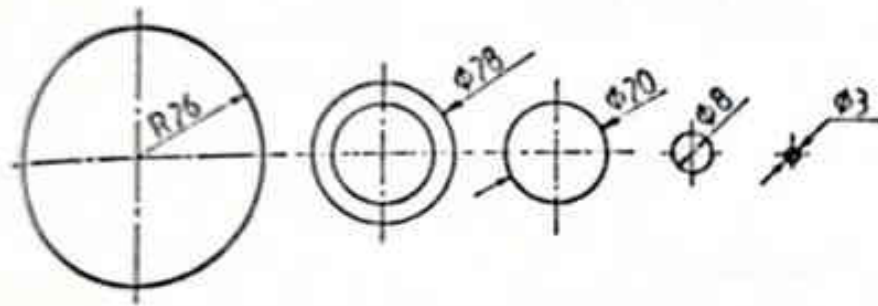
Dimensions:



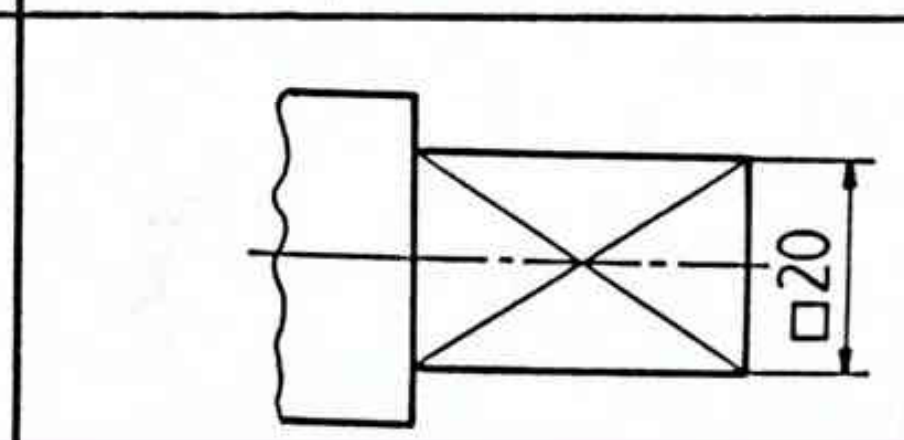
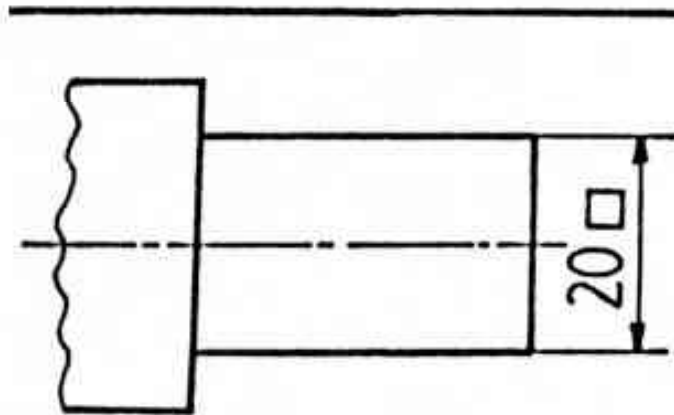
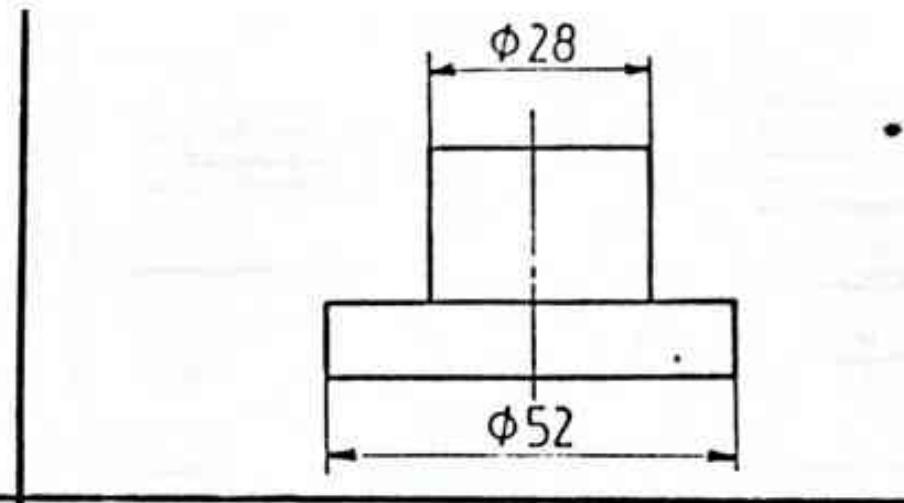
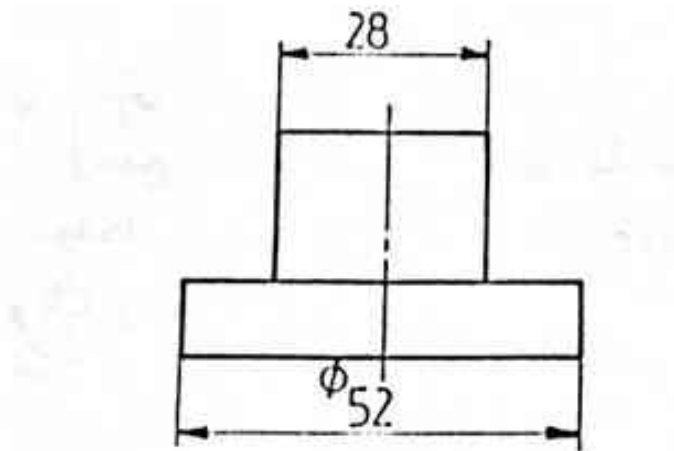
Dimensions:



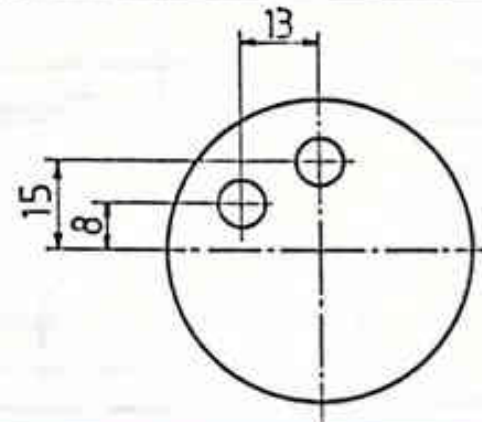
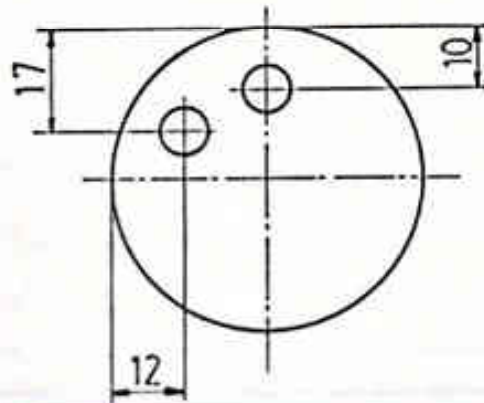
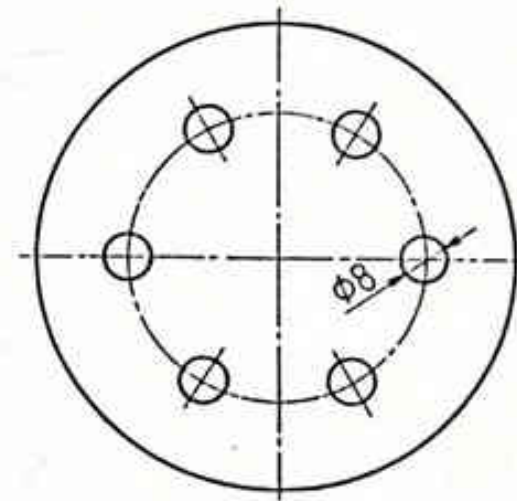
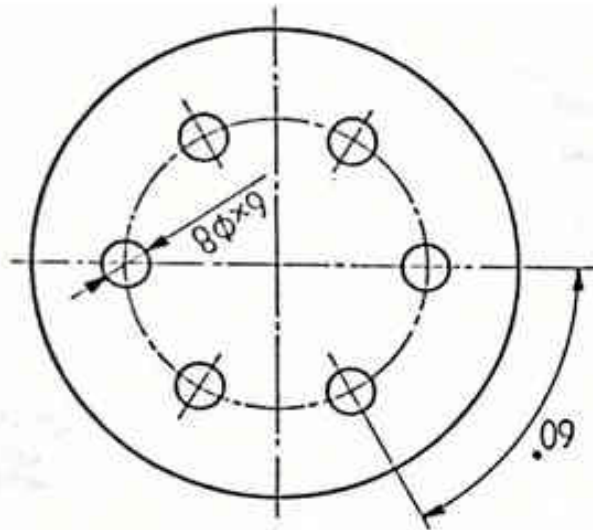
Dimensions:



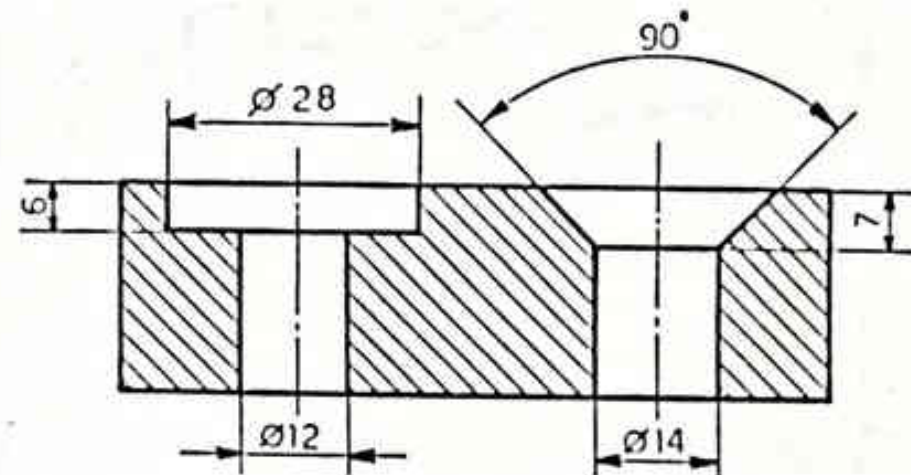
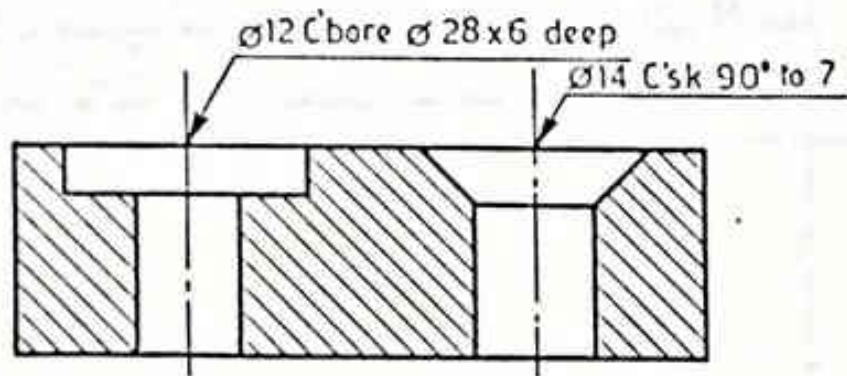
Dimensions:



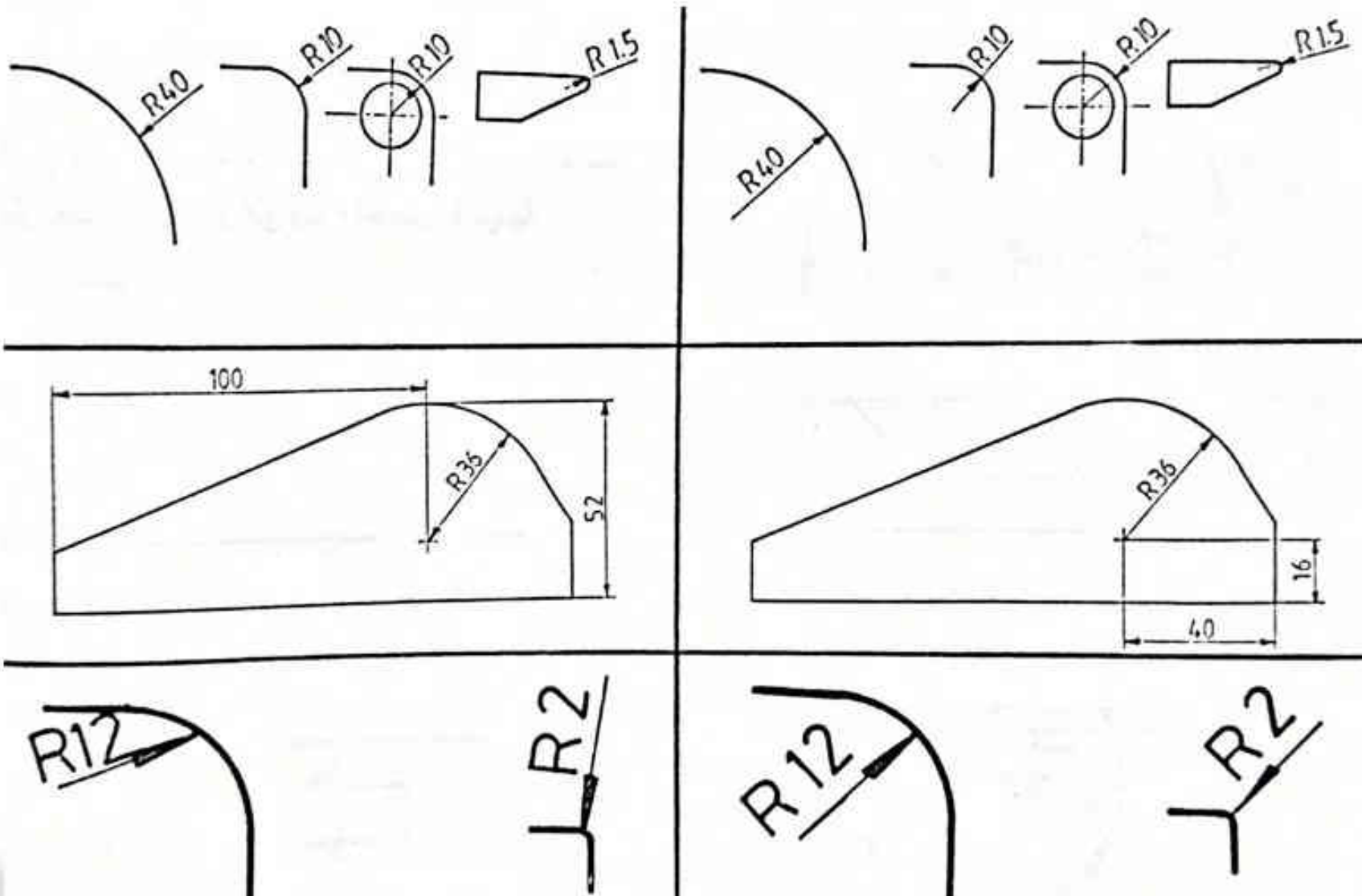
Dimensions:



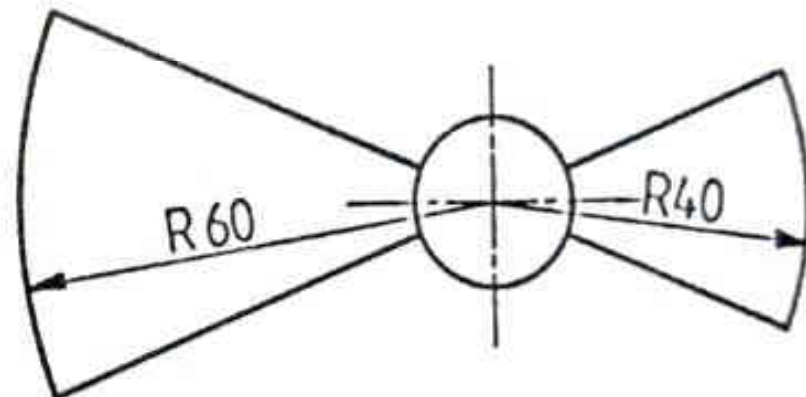
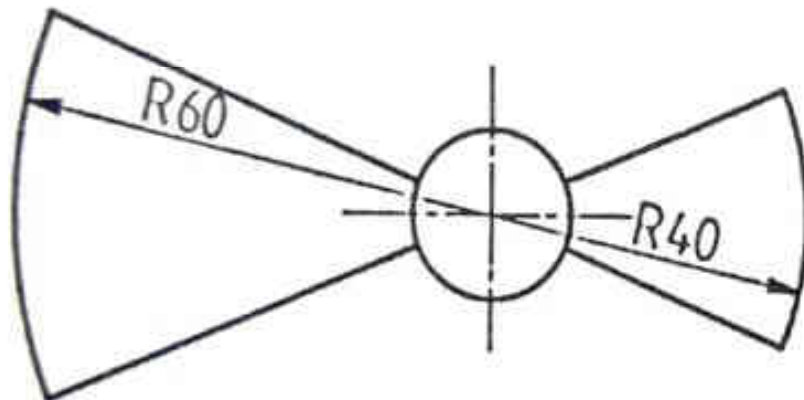
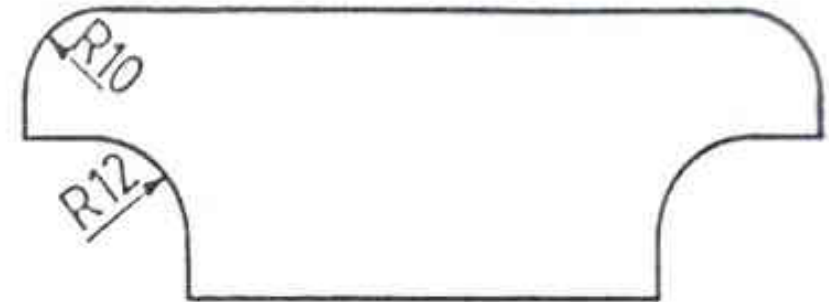
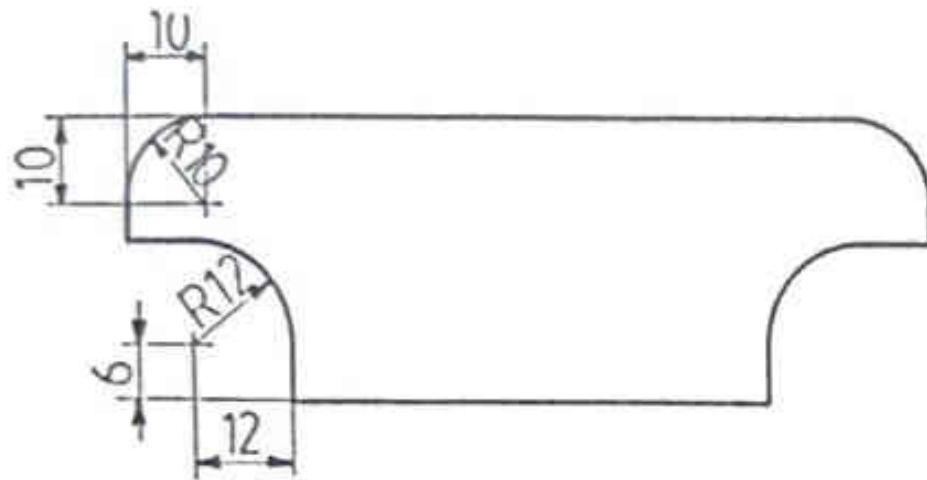
Dimensions:



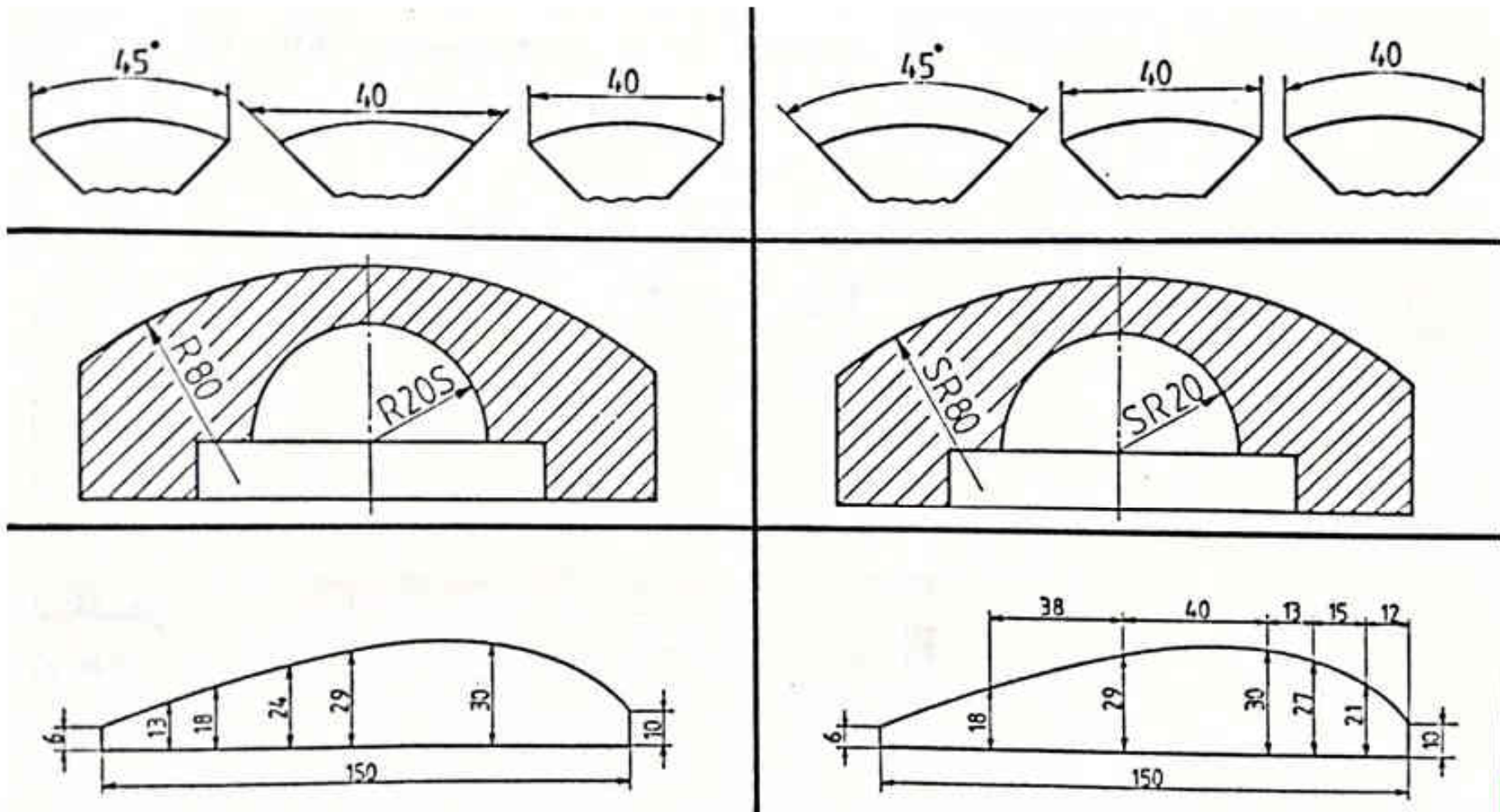
Dimensions:



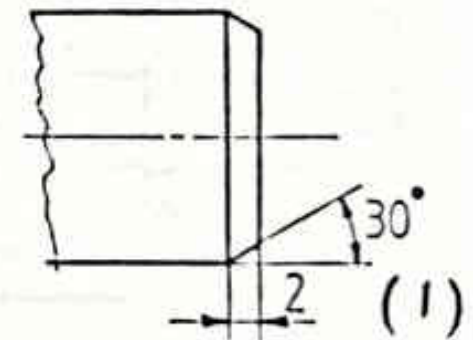
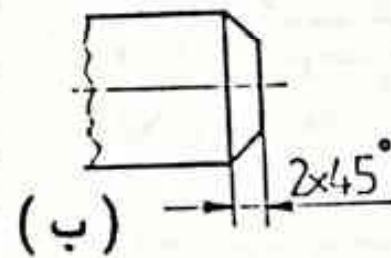
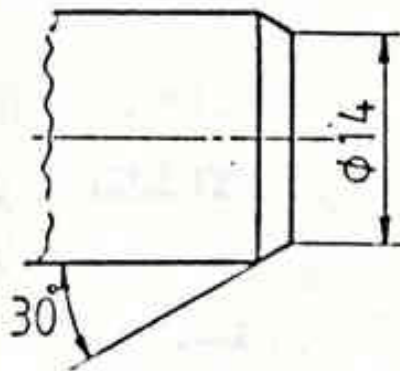
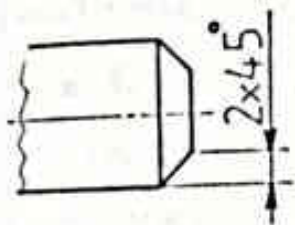
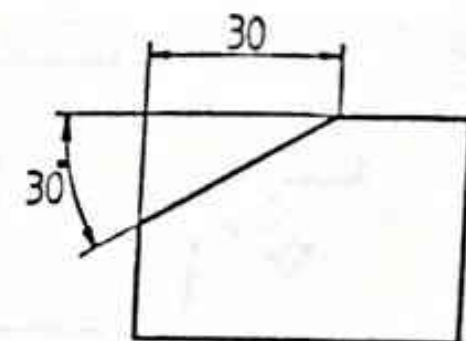
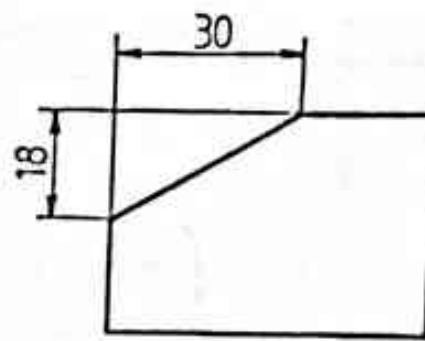
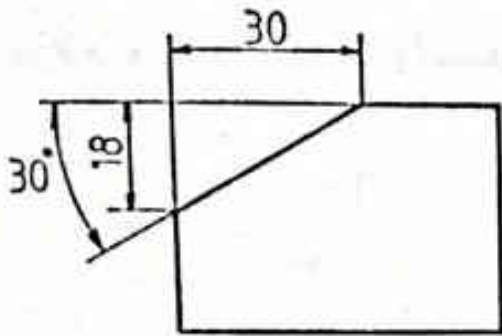
Dimensions:



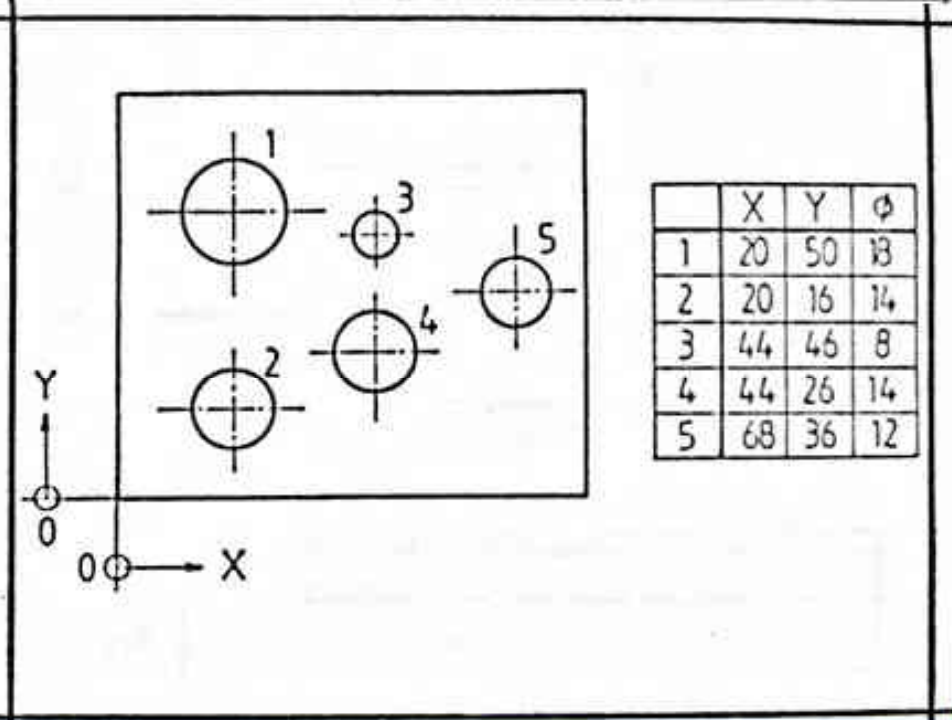
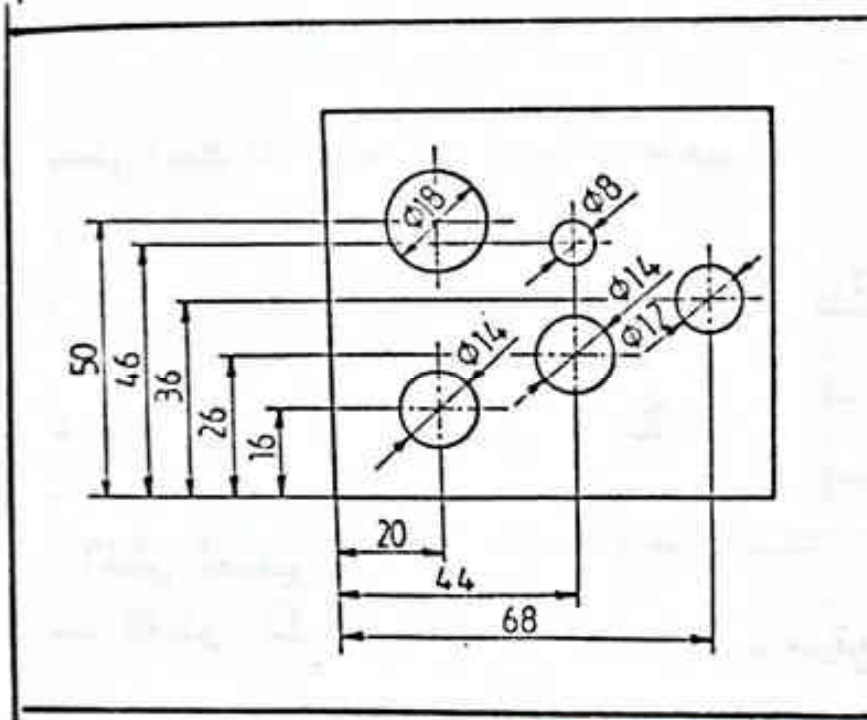
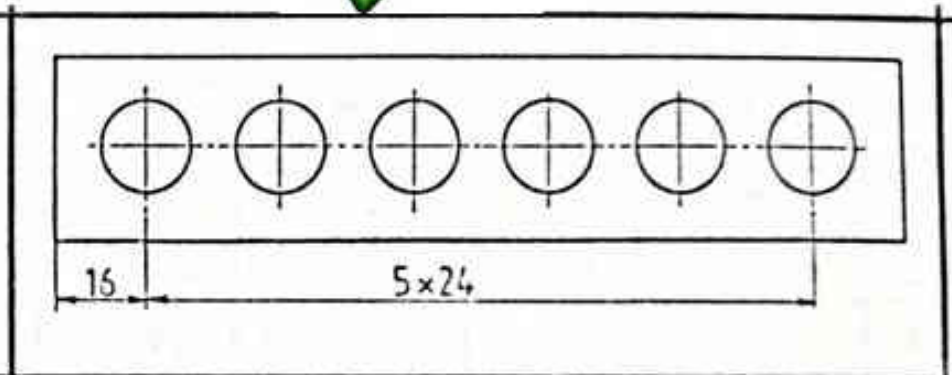
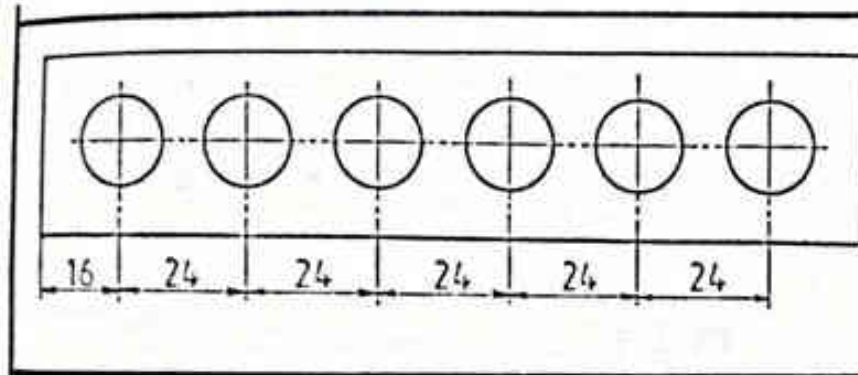
Dimensions:



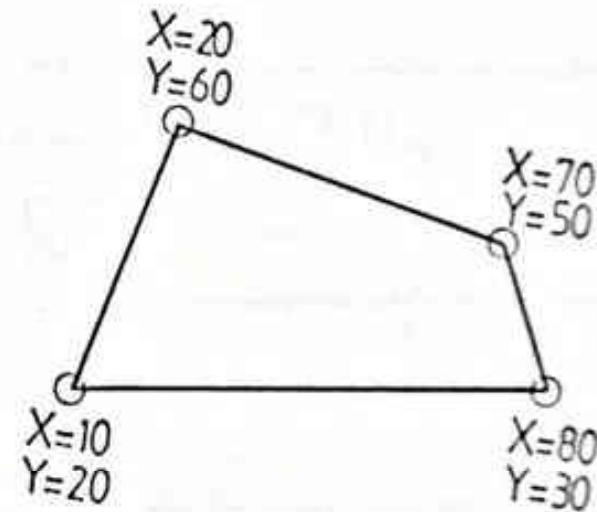
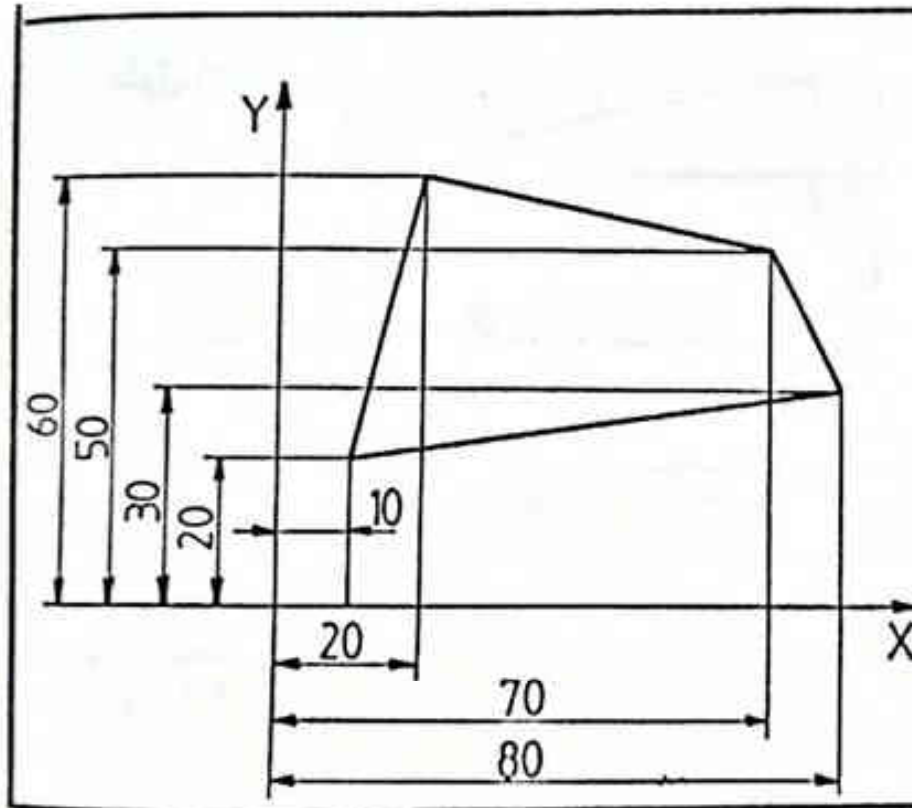
Dimensions:



Dimensions:



Dimensions:



Dimensions:

